

2400-2500, 5150-7125 MHz Wi-Fi 6E Omni MIMO Antenna, 6 dBi Gain, 8 N Type Female Connectors

The FMANOM1064 Wi-Fi 6e Omni Antenna from Fairview Microwave is a high performance omnidirectional antenna designed for the 2400 MHz to 7125 MHz bands and is available to ship same day. It is a UV protected, outdoor rated antenna with omni-directional pattern. The FMANOM1064 is ideally suited for 802.11 protocols including 802.11ax as well as Zigbee, Bluetooth and is 8x8 MIMO capable.

The Fairview Microwave high performance omni FMANOM1064 is a rugged antenna providing broad coverage, low latency, increased network capacity and 6 dBi gain. This 8 port N Female omnidirectional antenna is suitable for commercial radios and access points in public and private networks that are equipped with N Type connectors.

This Wi-Fi 6e FMANOM1064 omni antenna with 8 N Female connectors, as well as our wide selection of superior quality RF parts, ships same day. Contact our knowledgeable and friendly technical support and sales staff for your answers on antennas or other Fairview Microwave products.

Configuration

Design	Omni
Gain	6 dBi
Polarization	Vertical
Cable Type	RG58/U
Cable Length	36 in [914.4 mm]
Connector Type	N Female
Number of Ports	8

Electrical Specifications

Description	Min	Typ	Max	Units
Frequency Range	2,400		7,125	MHz
Input VSWR			2:1	
Impedance		50		Ohms
Input Power			50	Watts

Specifications by Frequency

Description	Band 1	Band 2	Band 3	Band 4	Band 5	Units
Range	2.4-2.5	5.15-7.125				GHz
Gain	6	6				dBi
Horiz. Beam Width	360	360				Degrees
Vert. Beam Width	45	30				Degrees



Features:

- N Type Female Connector
- 8 x Vertical Polarization
- 8x8 MIMO Functionality
- Outdoor Rated Omnidirectional Antenna
- 2.4 GHz, 5 GHz, 6 GHz Wi-Fi Bands
- 6 dBi gain

Applications:

- Infotainment systems, Routers, Wi-Fi hotspots, HD video transmission, Gateways, Dash cameras, Public transportation
- Connected cars or self-driving cars, Fleet management, Logistics
- Public Safety Networks
- Zigbee, Bluetooth, Wi-Fi

Fairview Microwave
301 Leora Ln., Suite 100
Lewisville, TX 75056
Tel: 1-800-715-4396 / (972) 649-6678
Fax: (972) 649-6689
www.fairviewmicrowave.com
sales@fairviewmicrowave.com

Mechanical Specifications

Radome Material UV Resistant ABS

Size

Length 6.7 in [170.18 mm]
Width 5.8 in [147.32 mm]
Height 5.8 in [147.32 mm]
Weight 3.5 lbs [1.59 kg]
Color White

Environmental Specifications

Temperature

Operating Range -40 to +70 deg C

Wind Loading 124 MPH [199.56 KPH]

Humidity 5 to 95

Ingress Protection IP54

Compliance Certifications (see [product page](#) for current document)

Plotted and Other Data

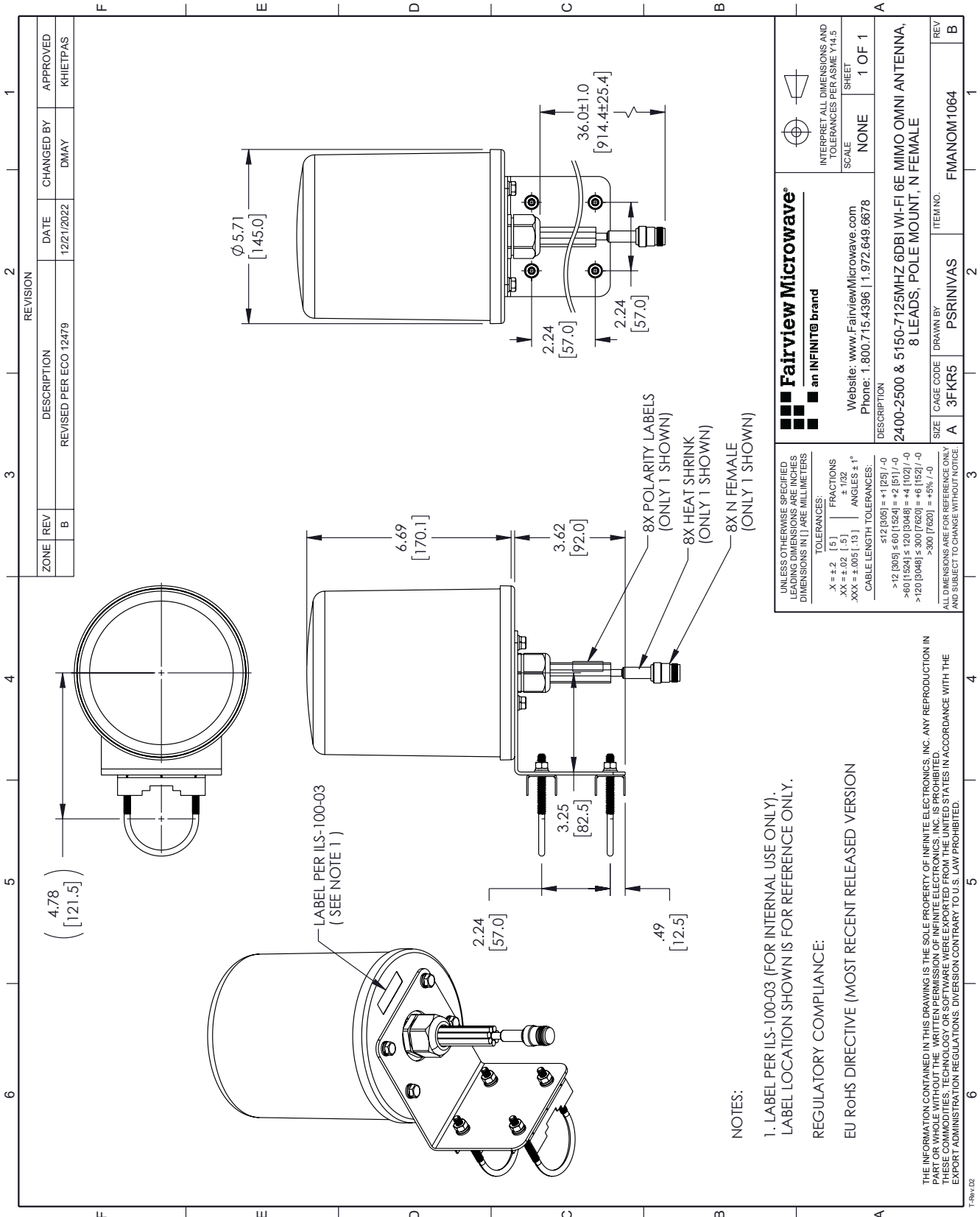
Notes:

2400-2500, 5150-7125 MHz Wi-Fi 6E Omni MIMO Antenna, 6 dBi Gain, 8 N Type Female Connectors from Fairview Microwave is in-stock and available to ship same-day. All of our RF/microwave products are available off-the-shelf from our ISO 9001:2008 certified facilities in Lewisville, Texas. Fairview Microwave is RF on-demand.

For additional information on this product, please click the following link: [2400-2500, 5150-7125 MHz Wi-Fi 6E Omni MIMO Antenna, 6 dBi Gain, 8 N Type Female Connectors FMANOM1064](#)

URL: <https://www.fairviewmicrowave.com/2400-2500-5150-7125-mhz-wf-fi-6e-omni-mimo-antenna-6-dbi-gain-8-n-type-female-connectors-fmanom1064-p.aspx>

The information contained in this document is accurate to the best of our knowledge and representative of the part described herein. It may be necessary to make modifications to the part and/or the documentation of the part, in order to implement improvements. Fairview Microwave reserves the right to make such changes as required. Unless otherwise stated, all specifications are nominal. Fairview Microwave does not make any representation or warranty regarding the suitability of the part described herein for any particular purpose, and Fairview Microwave does not assume any liability arising out of the use of any part or documentation.



REVISION		DATE	CHANGED BY	APPROVED
ZONE	REV	DESCRIPTION		
	B	REVISED PER ECO 12479	DMAY	KHIETPAS

 Fairview Microwave[®] an INFINIT [®] brand		INTERPRET ALL DIMENSIONS AND TOLERANCES PER ASME Y14.5 SCALE: NONE SHEET: 1 OF 1
Website: www.FairviewMicrowave.com Phone: 1.800.715.4396 1.972.649.6678		DESCRIPTION: 2400-2500 & 5150-7125MHZ 6DBI WI-FI 6E MIMO OMNI ANTENNA, 8 LEADS, POLE MOUNT, N FEMALE
SIZE	CAGE CODE	ITEM NO.
A	3FKR5	FMANOM1064

UNLESS OTHERWISE SPECIFIED, DIMENSIONS ARE IN INCHES AND DIMENSIONS IN PARENS ARE IN MILLIMETERS

TOLERANCES:
 .X = ±.2 (.5) FRACTIONS
 .XX = ±.02 (.5) ± .032
 .XXX = ±.005 (.13) ANGLES ± 1°

CABLE LENGTH TOLERANCES:
 ≤12 (305) = ±1 (25) / -0
 >12 (305) ≤ 60 (1524) = +2 (51) / -0
 >60 (1524) ≤ 120 (3048) = +4 (102) / -0
 >120 (3048) ≤ 300 (7620) = +6 (152) / -0
 >300 (7620) = +5% / -0

ALL DIMENSIONS ARE FOR REFERENCE ONLY AND SUBJECT TO CHANGE WITHOUT NOTICE.

NOTES:
 1. LABEL PER ILS-100-03 (FOR INTERNAL USE ONLY). LABEL LOCATION SHOWN IS FOR REFERENCE ONLY.

REGULATORY COMPLIANCE:
 EU RoHS DIRECTIVE (MOST RECENT RELEASED VERSION)

THE INFORMATION CONTAINED IN THIS DRAWING IS THE SOLE PROPERTY OF INFINITE ELECTRONICS, INC. ANY REPRODUCTION IN WHOLE OR IN PART WITHOUT THE WRITTEN PERMISSION OF INFINITE ELECTRONICS, INC. IS PROHIBITED. THESE COMMODITIES, TECHNOLOGY OR SOFTWARE WERE EXPORTED FROM THE UNITED STATES IN ACCORDANCE WITH THE EXPORT ADMINISTRATION REGULATIONS. DIVERSION CONTRARY TO U.S. LAW PROHIBITED.