

144, 430 MHz Omni Antenna 4.5 dBi Gain,
NMO Connector, Black ABS Radome



FMANOM1081

Features

- Vertically Polarized
- 4.5 dBi Gain
- NMO Connector
- Black ABS Radome
- 1.5:1 VSWR Max
- 30 Watt Max Input Power

Applications

- Offroad/Overland Vehicles
- Mining/Industrial Heavy Equipment
- Commercial Trucking
- Fleet Management
- Farm Equipment

Description

Fairview Microwave's FMANOM1081 is a vertical polarized antenna that ships same day from our ISO 9001:2015 certified facility. This omni directional antenna has NMO male connectors. The FMANOM1081 is a dual band antenna operating from 144 to 430 MHz with 4.5 dBi gain.

Fairview Microwave's antenna with 144 to 430 MHz frequency range has a maximum input VSWR of 1.5:1. The FMANOM1081 antenna has a black radome made of ABS an overall length of 3.54 in, width of 1.42 in, and weighs 1 lbs.

Use our on-line ordering system to purchase your FMANOM1081 antenna 24 hours a day with same-day shipping and no MOQs (minimum order quantities).

Configuration

Band Type	Dual
Radiation Pattern	Omni Directional
Polarization	Vertical
Connector Type	NMO

Electrical Specifications

Description	Minimum	Typical	Maximum	Units
Frequency Range	143		432	MHz
Impedance		50		Ohms
Gain		4.5		dBi
Input Power			30	Watts

Specifications by Band

Description	Band 1	Band 2	Band 3	Band 4	Band 5	Units
Frequency	0.143 to 0.145	0.428 to 0.432				GHz
Gain	4.5	4.5				dBi
VSWR Max	2:01	2:01				

Mechanical Specifications

Size	
Length	3.54 in [89.92 mm]
Width	1.42 in [36.07 mm]

144, 430 MHz Omni Antenna 4.5 dBi Gain,
NMO Connector, Black ABS Radome

FMANOM1081



Height	1.42 in [36.07 mm]
Weight	1 lbs [453.59 g]

Environmental Specifications

Temperature Operating Range	-40 to +80 deg C
---------------------------------------	------------------

Compliance Certifications (see [product page](#) for current document)

Plotted and Other Data

Notes:

Typical Radiation Pattern

Appendix

Electrical Downtilt: Angle in the antenna's elevation pattern in which the maximum gain occurs.

Gain: Antenna's average gain.

Front to Back Ratio @ 180°±30°: Average difference between the antenna's maximum gain and the maximum gain in the antenna's back lobe over ±30° angles.

Cross-polarization Ratio (dB): Typical difference between the co-polarization and cross-polarization gain across the sector's 3 dB Beam Width.

Dedicated to serving the needs of the Wireless Internet Service Provider (WISP) market, KP Performance Antennas offers purpose built products that reliably perform in the field. KP Performance Antennas product line consists of Yagi, Grid, Omni, Dish and other style antennas that operate in the 900 MHz, 2.4 GHz, 3 GHz, and 5 GHz frequencies.

144, 430 MHz Omni Antenna 4.5 dBi Gain, NMO Connector, Black ABS Radome from Fairview Microwave is in-stock and available to ship same-day. All of our RF/microwave products are available off-the-shelf from our ISO 9001:2008 certified facilities in Lewisville, Texas. Fairview Microwave is RF on-demand.

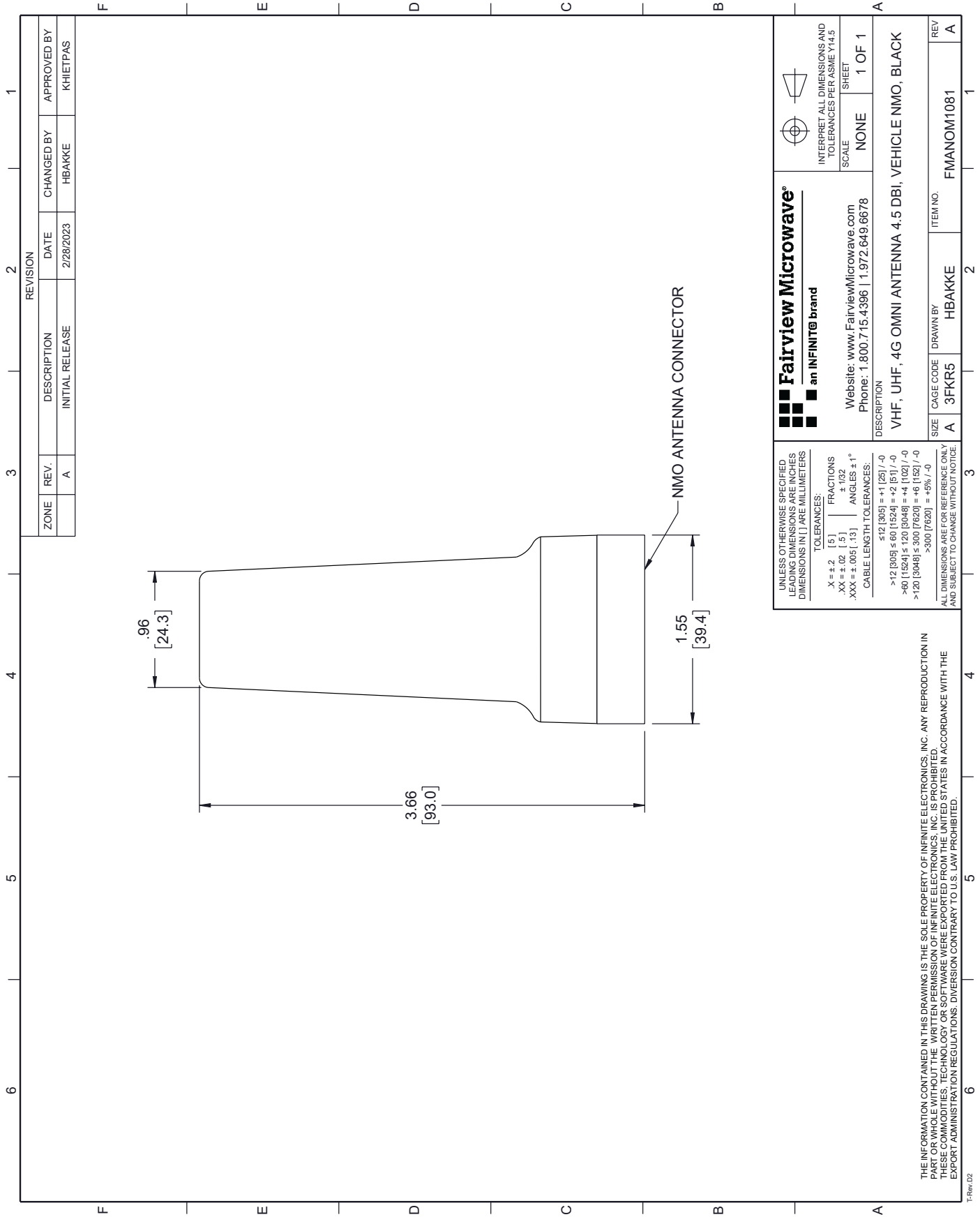
For additional information on this product, please click the following link: [144, 430 MHz Omni Antenna 4.5 dBi Gain, NMO Connector, Black ABS Radome FMANOM1081](#)

URL: <https://www.fairviewmicrowave.com/product/antennas/144-430-mhz-omni-antenna-4.5-dbi-gain-nmo-connector-black-abs-radome-fmanom1081.html>

The information contained within this document is accurate to the best of our knowledge and representative of the part described herein. It may be necessary to make modifications to the part and/or the documentation of the part in order to implement improvements. Fairview Microwave reserves the right to make such changes as required. Unless otherwise stated, all specifications are nominal. Fairview Microwave does not make any representation or warranty regarding the suitability of the part described herein for any particular purpose, and Fairview Microwave does not assume liability arising out of the use of any part or document.

FMANOM1081 CAD Drawing

144, 430 MHz Omni Antenna 4.5 dBi Gain, NMO Connector, Black ABS Radome



REVISION			
ZONE	REV.	DESCRIPTION	DATE
	A	INITIAL RELEASE	2/28/2023
		CHANGED BY	HBAKKE
		APPROVED BY	KHIETPAS

<p>Fairview Microwave an INFINIT® brand</p> <p>Website: www.FairviewMicrowave.com Phone: 1.800.715.4396 1.972.649.6678</p>	<p>INTERPRET ALL DIMENSIONS AND TOLERANCES PER ASME Y14.5</p>
	<p>SCALE: NONE</p> <p>SHEET: 1 OF 1</p>
<p>DESCRIPTION: VHF, UHF, 4G OMNI ANTENNA 4.5 DBI, VEHICLE NMO, BLACK</p>	
<p>SIZE: A</p> <p>CAGE CODE: 3FKR5</p> <p>DRAWN BY: HBAKKE</p>	<p>ITEM NO: FMANOM1081</p> <p>REV: A</p>

UNLESS OTHERWISE SPECIFIED, ALL DIMENSIONS ARE IN INCHES. DIMENSIONS IN [] ARE MILLIMETERS.

TOLERANCES:

X ± .2	[.5]	FRACTIONS	± 1/32
.XX ± .02	[.5]	ANGLES ± 1°	
.XXX ± .005	[.13]	CABLE LENGTH TOLERANCES:	

<12 [305] = +1 [25] / -0
 >12 [305] ≤ 60 [1524] = +2 [51] / -0
 >60 [1524] ≤ 120 [3048] = +4 [102] / -0
 >120 [3048] ≤ 300 [7620] = +6 [152] / -0
 >300 [7620] = +8% / -0

ALL DIMENSIONS ARE FOR REFERENCE ONLY AND SUBJECT TO CHANGE WITHOUT NOTICE.

THE INFORMATION CONTAINED IN THIS DRAWING IS THE SOLE PROPERTY OF INFINITE ELECTRONICS, INC. ANY REPRODUCTION IN PART OR WHOLE WITHOUT THE WRITTEN PERMISSION OF INFINITE ELECTRONICS, INC. IS PROHIBITED. THESE COMMODITIES, TECHNOLOGY OR SOFTWARE WERE EXPORTED FROM THE UNITED STATES IN ACCORDANCE WITH THE EXPORT ADMINISTRATION REGULATIONS. DIVERSION CONTRARY TO U.S. LAW PROHIBITED.

TRRev.02