

16 dB Fixed Attenuator, 75 Ohm F Male to 75 Ohm F Female  
Brass Tri-Metal Body Rated to 2 Watts Up to 3 GHz



**FMAT7396-16**

**Features**

- DC to 3 GHz Frequency Range
- Attenuation 16±3 dB
- Max Power 2 Watts (CW)
- VSWR < 1.3:1

**Applications**

- Instrumentation
- Cable TV and Video Distribution
- Prototyping and characterization
- Production systems

**Description**

Fairview Microwave carries a broad selection of fixed attenuators with a wide range of attenuation levels, frequency ranges, and power dissipation ranges. Also known as RF pads, RF microwave attenuators lower the amplitude of a signal (or attenuate) a known amount. These attenuator pads can be used in a wide variety of applications including reducing a signal level to protect measurement equipment or other circuitry, extending the range of power meters and amplifiers, and impedance matching circuits by reducing the VSWR seen by adjacent components. RF attenuators can prevent signal overload in amplifiers, receivers and detectors, adjusting the signal level to a range that is optimal.

Few RF components are as commonly used as fixed coaxial attenuators, and Fairview Microwave carries one of the largest in-stock varieties and ships them same day. The FMAT7396-16 is a 16 dB Fixed Attenuator that operates from DC to 3 GHz and is rated to 2 Watts. The versatile coaxial package uses type F male to type F female connectors.

**Electrical Specifications**

| Description         | Minimum | Typical | Maximum | Units |
|---------------------|---------|---------|---------|-------|
| Frequency Range     | DC      |         | 3       | GHz   |
| Impedance           |         | 75      |         | Ohms  |
| Nominal Attenuation |         | 16      |         | dB    |
| VSWR                |         |         | 1.3:1   |       |
| Input Power, CW     |         |         | 2       | Watts |

**Specifications by Frequency**

| Description               | F1      | F2     | F3 | F4 | F5 | Units |
|---------------------------|---------|--------|----|----|----|-------|
| Frequency Range           | DC to 2 | 2 to 3 |    |    |    | GHz   |
| Attenuation Accuracy, Typ | 0.5     | 3      |    |    |    | dB    |

**Mechanical Specifications**

**Size**

- Length: 2.02 in [51.31 mm]
- Width/Diameter: 0.43 in [10.92 mm]
- Height: 0.43 in [10.92 mm]
- Weight: 0.15 lbs [68.04 g]
- Body Material and Plating: Brass, Tri-Metal

**Configuration**

- Design: Fixed
- Package Style: Connectorized Module

16 dB Fixed Attenuator, 75 Ohm F Male to 75 Ohm F Female  
Brass Tri-Metal Body Rated to 2 Watts Up to 3 GHz



## FMAT7396-16

### Connectors

| Description                       | Connector 1      | Connector 2           |
|-----------------------------------|------------------|-----------------------|
| Type                              | F Male           | F Female              |
| Contact Material and Plating      | Brass, Gold      | Phosphor Bronze, Gold |
| Contact Plating Specification     | 4μ-inch min.     | 4μ-inch min.          |
| Dielectric Type                   | Teflon           | Teflon                |
| Coupling Nut Material and Plating | Brass, Tri-Metal |                       |
| Hex Size                          | 7/16 in.         |                       |
| Body Material and Plating         | Brass, Tri-Metal | Brass, Tri-Metal      |
| Body Plating Specification        | 100μ-inch min.   | 100μ-inch min.        |

### Environmental Specifications

#### Temperature

Operating Range -55 to +80 deg C

**Compliance Certifications** (see [product page](#) for current document)

### Plotted and Other Data

Notes:

### Typical Performance Data

16 dB Fixed Attenuator, 75 Ohm F Male to 75 Ohm F Female Brass Tri-Metal Body Rated to 2 Watts Up to 3 GHz from Fairview Microwave is in-stock and available to ship same-day. All of our RF/microwave products are available off-the-shelf from our ISO 9001:2008 certified facilities in Lewisville, Texas. Fairview Microwave is RF on-demand.

For additional information on this product, please click the following link: [16 dB Fixed Attenuator, 75 Ohm F Male to 75 Ohm F Female Brass Tri-Metal Body Rated to 2 Watts Up to 3 GHz FMAT7396-16](#)

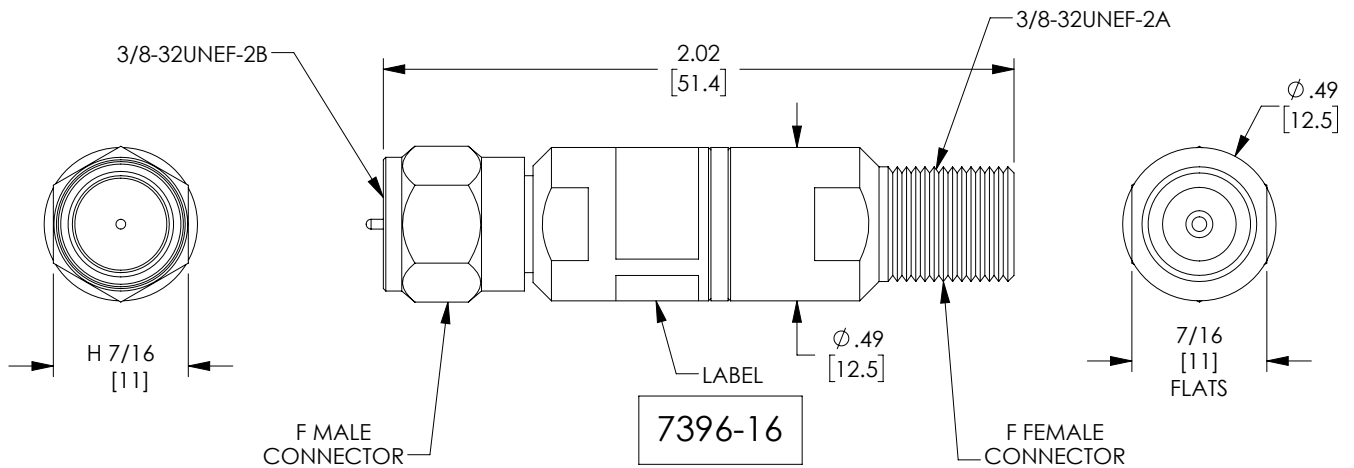
URL: <https://www.fairviewmicrowave.com/16db-fixed-attenuator-f-male-f-female-2-watts-fmat7396-16-p.aspx>

The information contained within this document is accurate to the best of our knowledge and representative of the part described herein. It may be necessary to make modifications to the part and/or the documentation of the part in order to implement improvements. Fairview Microwave reserves the right to make such changes as required. Unless otherwise stated, all specifications are nominal. Fairview Microwave does not make any representation or warranty regarding the suitability of the part described herein for any particular purpose, and Fairview Microwave does not assume liability arising out of the use of any part or document.

# FMAT7396-16 CAD Drawing

16 dB Fixed Attenuator, 75 Ohm F Male to 75 Ohm F Female Brass Tri-Metal Body Rated to 2 Watts Up to 3 GHz

| REVISIONS |                 |            |          |
|-----------|-----------------|------------|----------|
| REV.      | DESCRIPTION     | DATE       | APPROVED |
| A         | INITIAL RELEASE | 07/19/2022 | SPONG    |



THESE COMMODITIES, TECHNOLOGY OR SOFTWARE WERE EXPORTED FROM THE UNITED STATES IN ACCORDANCE WITH THE EXPORT ADMINISTRATION REGULATIONS. DIVERSION CONTRARY TO U.S. LAW PROHIBITED.



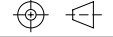
TITLE

UNLESS OTHERWISE SPECIFIED LEADING DIMENSIONS ARE INCHES  
DIMENSIONS IN [ ] ARE MILLIMETERS

TOLERANCES: CABLE LENGTH (L) TOLERANCES:

|                    |             |   |
|--------------------|-------------|---|
| .X = ±.2 [5.08]    | FRACTIONS   | L ≤ 12 [305] = +1 [25] / -0                 |
| .XX = ±.02 [.51]   | ± 1/32      | 12 [305] < L ≤ 60 [1524] = +2 [51] / -0     |
| .XXX = ±.005 [.13] | ANGLES ± 1° | 60 [1524] < L ≤ 120 [3048] = +4 [102] / -0  |
|                    |             | 120 [3048] < L ≤ 300 [7620] = +6 [152] / -0 |
|                    |             | 300 [7620] < L = +5%L / -0                  |

THIRD-ANGLE PROJECTION



THE INFORMATION AND DESIGN IN THIS DOCUMENT IS THE PROPERTY OF FAIRVIEW MICROWAVE CORPORATION. ALL RIGHTS RESERVED.

SHEET 1 OF 1

ALL DIMENSIONS SHOWN ARE FOR REFERENCE ONLY.

SCALE N/A

|           |                    |                       |                         |          |
|-----------|--------------------|-----------------------|-------------------------|----------|
| SIZE<br>A | CAGE CODE<br>3FKR5 | DRAWN BY<br>BPUCHASKI | ITEM NO.<br>FMAT7396-16 | REV<br>A |
|-----------|--------------------|-----------------------|-------------------------|----------|

T-Rev.D