

30 dB Fixed Attenuator BNC Male (Plug) to BNC Female (Jack) Up to 4 GHz Rated to 2 Watts, Brass Tri-Metal Body, 1.25 VSWR



FMAT7437-30

Features

- DC to 4 GHz Frequency Range
- Attenuation 30 dB Typical
- Max Power 2 Watts (CW)
- VSWR < 1.25:1
- 50 Ohm Impedance

Applications

- Wireless
- Video Signal Transmission
- Radar Systems
- Test and Measurement
- Commercial and Military Communication
- Avionics

Description

Fairview Microwave carries a broad selection of fixed attenuators with a wide range of attenuation levels, frequency ranges, and power dissipation ranges. Also known as RF pads, RF microwave attenuators lower the amplitude of a signal (or attenuate) a known amount. These attenuator pads can be used in a wide variety of applications including reducing a signal level to protect measurement equipment or other circuitry, extending the range of power meters and amplifiers, and impedance matching circuits by reducing the VSWR seen by adjacent components. RF attenuators can prevent signal overload in amplifiers, receivers and detectors, adjusting the signal level to a range that is optimal.

Few RF components are as commonly used as fixed coaxial attenuators, and Fairview Microwave carries one of the largest in-stock varieties and ships them same day. The FMAT7437-30 is a 30 dB Fixed Attenuator that operates from DC to 4 GHz and is rated to 2 Watts. The versatile coaxial package uses BNC male to BNC female connectors.

Electrical Specifications

| Description | Minimum | Typical | Maximum | Units |
|----------------------|---------|---------|---------|-------|
| Frequency Range | DC | | 4 | GHz |
| Impedance | | 50 | | Ohms |
| Nominal Attenuation | | 30 | | dB |
| Attenuation Accuracy | | 1 | | dB |
| VSWR | | | 1.25:1 | |
| Input Power, CW | | | 2 | Watts |

Mechanical Specifications

Size

| | |
|---------------------------|---------------------|
| Length | 2.087 in [53.01 mm] |
| Width/Diameter | 0.571 in [14.5 mm] |
| Height | 0.571 in [14.5 mm] |
| Weight | 0.05 lbs [22.68 g] |
| Body Material and Plating | Brass, Tri-Metal |

Configuration

| | |
|--------|-------|
| Design | Fixed |
|--------|-------|

30 dB Fixed Attenuator BNC Male (Plug) to BNC Female (Jack) Up to 4 GHz Rated to 2 Watts, Brass Tri-Metal Body, 1.25 VSWR



FMAT7437-30

Connectors

| Description | Connector 1 | Connector 2 |
|-----------------------------------|-----------------------|-----------------------|
| Type | BNC Male | BNC Female |
| Contact Material and Plating | Phosphor Bronze, Gold | Phosphor Bronze, Gold |
| Coupling Nut Material and Plating | Stainless Steel | |
| Body Material and Plating | Brass, Tri-Metal | Brass, Tri-Metal |

Environmental Specifications

Temperature

Operating Range -55 to +125 deg C

Compliance Certifications (see [product page](#) for current document)

Plotted and Other Data

Notes:

Typical Performance Data

30 dB Fixed Attenuator BNC Male (Plug) to BNC Female (Jack) Up to 4 GHz Rated to 2 Watts, Brass Tri-Metal Body, 1.25 VSWR from Fairview Microwave is in-stock and available to ship same-day. All of our RF/microwave products are available off-the-shelf from our ISO 9001:2008 certified facilities in Lewisville, Texas. Fairview Microwave is RF on-demand.

For additional information on this product, please click the following link: [30 dB Fixed Attenuator BNC Male \(Plug\) to BNC Female \(Jack\) Up to 4 GHz Rated to 2 Watts, Brass Tri-Metal Body, 1.25 VSWR FMAT7437-30](#)

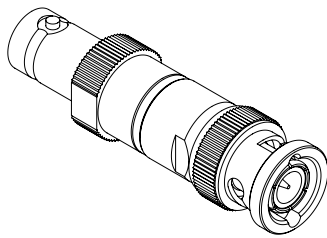
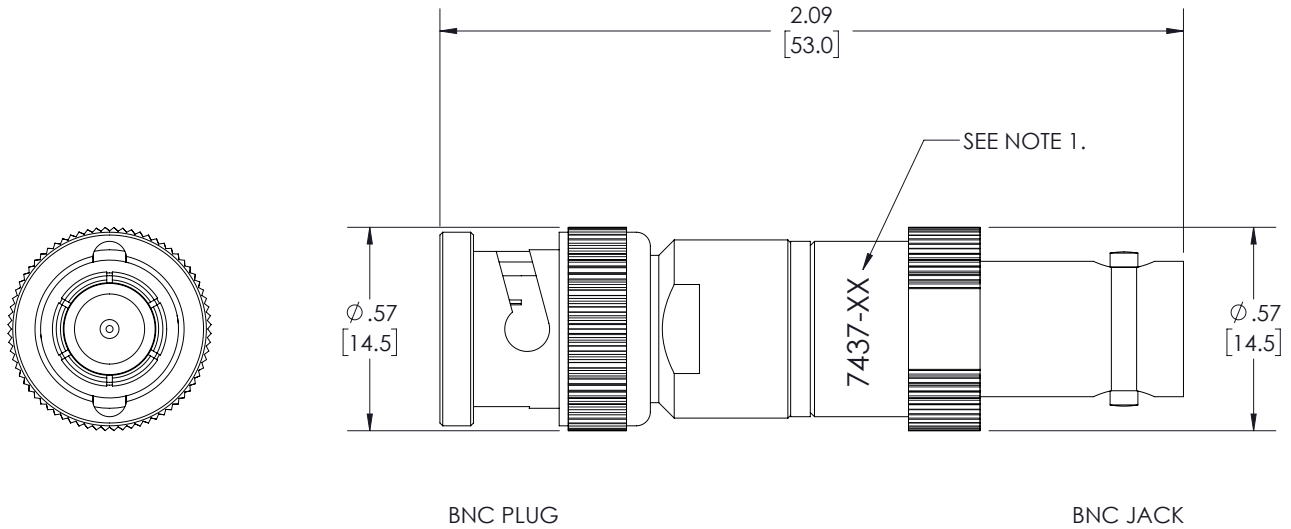
URL: <https://www.fairviewmicrowave.com/30db-fixed-attenuator-bnc-male-bnc-female-2-watts-fmat7437-30-p.aspx>

The information contained within this document is accurate to the best of our knowledge and representative of the part described herein. It may be necessary to make modifications to the part and/or the documentation of the part in order to implement improvements. Fairview Microwave reserves the right to make such changes as required. Unless otherwise stated, all specifications are nominal. Fairview Microwave does not make any representation or warranty regarding the suitability of the part described herein for any particular purpose, and Fairview Microwave does not assume liability arising out of the use of any part or document.

FMAT7437-30 CAD Drawing

30 dB Fixed Attenuator BNC Male (Plug) to BNC Female (Jack) Up to 4 GHz Rated to 2 Watts, Brass Tri-Metal Body, 1.25 VSWR

| REVISIONS | | | |
|-----------|-----------------|----------|----------|
| REV. | DESCRIPTION | DATE | APPROVED |
| A | INITIAL RELEASE | 03/31/22 | S.PONG |



NOTES:

- ITEM IS MARKED WITH PART NUMBER WHERE SHOWN.
 "-XX" DENOTES THE ATTENUATION VALUE,
 EXAMPLE: 7437-1 = 1dB, 7437-10 = 10dB, ETC.

THESE COMMODITIES, TECHNOLOGY OR SOFTWARE WERE EXPORTED FROM THE UNITED STATES IN ACCORDANCE WITH THE EXPORT ADMINISTRATION REGULATIONS. DIVERSION CONTRARY TO U.S. LAW PROHIBITED.



| | | | | |
|--------|---|---|-------------------|---|
| TITLE | UNLESS OTHERWISE SPECIFIED LEADING DIMENSIONS ARE INCHES DIMENSIONS IN [] ARE MILLIMETERS | | | THIRD-ANGLE PROJECTION |
| | TOLERANCES: | CABLE LENGTH (L) TOLERANCES: | | THE INFORMATION AND DESIGN IN THIS DOCUMENT IS THE PROPERTY OF FAIRVIEW MICROWAVE CORPORATION. ALL RIGHTS RESERVED. |
| | .X = ±.2 [5.08] FRACTIONS ± 1/32 | L ≤ 12 [305] = +1 [25] / -0 | | SHEET 1 OF 1 |
| | .XX = ±.02 [.51] ANGLES ± 1° | 12 [305] < L ≤ 60 [1524] = +2 [51] / -0 | | SCALE N/A |
| | .XXX = ±.005 [.13] | 60 [1524] < L ≤ 120 [3048] = +4 [102] / -0 | | |
| | | 120 [3048] < L ≤ 300 [7620] = +6 [152] / -0 | | |
| | | 300 [7620] < L = +5%L / -0 | | |
| | ALL DIMENSIONS SHOWN ARE FOR REFERENCE ONLY. | | | |
| SIZE A | CAGE CODE 3FKR5 | DRAWN BY A.KRESOWSKI | ITEM NO. FMAT7437 | REV A |

| | | | | |
|---|---|------------------------------|-------------------|---|
| UNLESS OTHERWISE SPECIFIED LEADING DIMENSIONS ARE INCHES DIMENSIONS IN [] ARE MILLIMETERS | | | | THIRD-ANGLE PROJECTION |
| TOLERANCES: | | CABLE LENGTH (L) TOLERANCES: | | THE INFORMATION AND DESIGN IN THIS DOCUMENT IS THE PROPERTY OF FAIRVIEW MICROWAVE CORPORATION. ALL RIGHTS RESERVED. |
| .X = ±.2 [5.08] FRACTIONS ± 1/32 | L ≤ 12 [305] = +1 [25] / -0 | | | SHEET 1 OF 1 |
| .XX = ±.02 [.51] ANGLES ± 1° | 12 [305] < L ≤ 60 [1524] = +2 [51] / -0 | | | SCALE N/A |
| .XXX = ±.005 [.13] | 60 [1524] < L ≤ 120 [3048] = +4 [102] / -0 | | | |
| | 120 [3048] < L ≤ 300 [7620] = +6 [152] / -0 | | | |
| | 300 [7620] < L = +5%L / -0 | | | |
| ALL DIMENSIONS SHOWN ARE FOR REFERENCE ONLY. | | | | |
| SIZE A | CAGE CODE 3FKR5 | DRAWN BY A.KRESOWSKI | ITEM NO. FMAT7437 | REV A |

T-Rev.D