

## 0 to 10 dB Rotary Step Attenuator, N-Type Female to N-Type Female With 1 dB Step Rated to 2 Watts Up to 6 GHz

The FMAT7439N-10 is a Step Attenuator that has 10 dB of total attenuation with 1 dB step size and rotary dial design across a frequency range from DC to 6 GHz. The design is tried and true technology that offers exceptional performance characteristics that include 1 dB maximum insertion loss, and a maximum VSWR of 1.4:1 at 6 GHz. The design also features excellent attenuation accuracy with  $\pm 0.5$  dB typical at 6 GHz. The Brass package has N Female connectors, and operates within the temperature range of  $-20^{\circ}\text{C}$  to  $85^{\circ}\text{C}$ .

### Electrical Specifications

Description	Min	Typ	Max	Units
Frequency Range	DC		6	GHz
Impedance		50		Ohms
Insertion Loss			1	dB
Attenuation Value		0 to 10		dB
Step Size		1		dB
Step Type		Rotary		
Input Power (CW)			2	Watts
Input Power, Peak 5 $\mu$ s Pulse Width, 2% Duty Cycle			100	Watts
VSWR			1.4:1	

### Specifications by Frequency

Description	F1	F2	F3	F4	F5	Units
Range	DC to 6					GHz
Atten. Accuracy	$\pm 0.5$					dB

### Mechanical Specifications

<b>Size</b>	
Length	2.44 in [61.98 mm]
Width	1.181 in [30 mm]
Height	1.622 in [41.2 mm]
Weight	0.551 lbs [249.93 g]

### Connectors

Description	Connector 1	Connector 2
Type	N Female	N Female
Contact Material & Plating	Beryllium Copper, Gold	
Body Material & Plating	Brass, Nickel	Brass, Nickel

### Environmental Specifications

<b>Temperature</b>	
Operating Range	-20 to 85 deg C



### Features:

- 1 dB steps from 0 to 10 dB Attenuation
- Rotary Dial Control
- N Female Connectors
- $-20^{\circ}\text{C}$  to  $+85^{\circ}\text{C}$  Operating Temperature
- $\pm 0.5$  dB Typical Attenuation Accuracy

### Applications:

- Instrumentation
- Precision Measurements
- Prototyping and Characterization
- Production Systems

Fairview Microwave  
 301 Leora Ln., Suite 100  
 Lewisville, TX 75056  
 Tel: 1-800-715-4396 / (972) 649-6678  
 Fax: (972) 649-6689  
[www.fairviewmicrowave.com](http://www.fairviewmicrowave.com)  
[sales@fairviewmicrowave.com](mailto:sales@fairviewmicrowave.com)

**Compliance Certifications** (see [product page](#) for current document)

**Plotted and Other Data**

Notes:

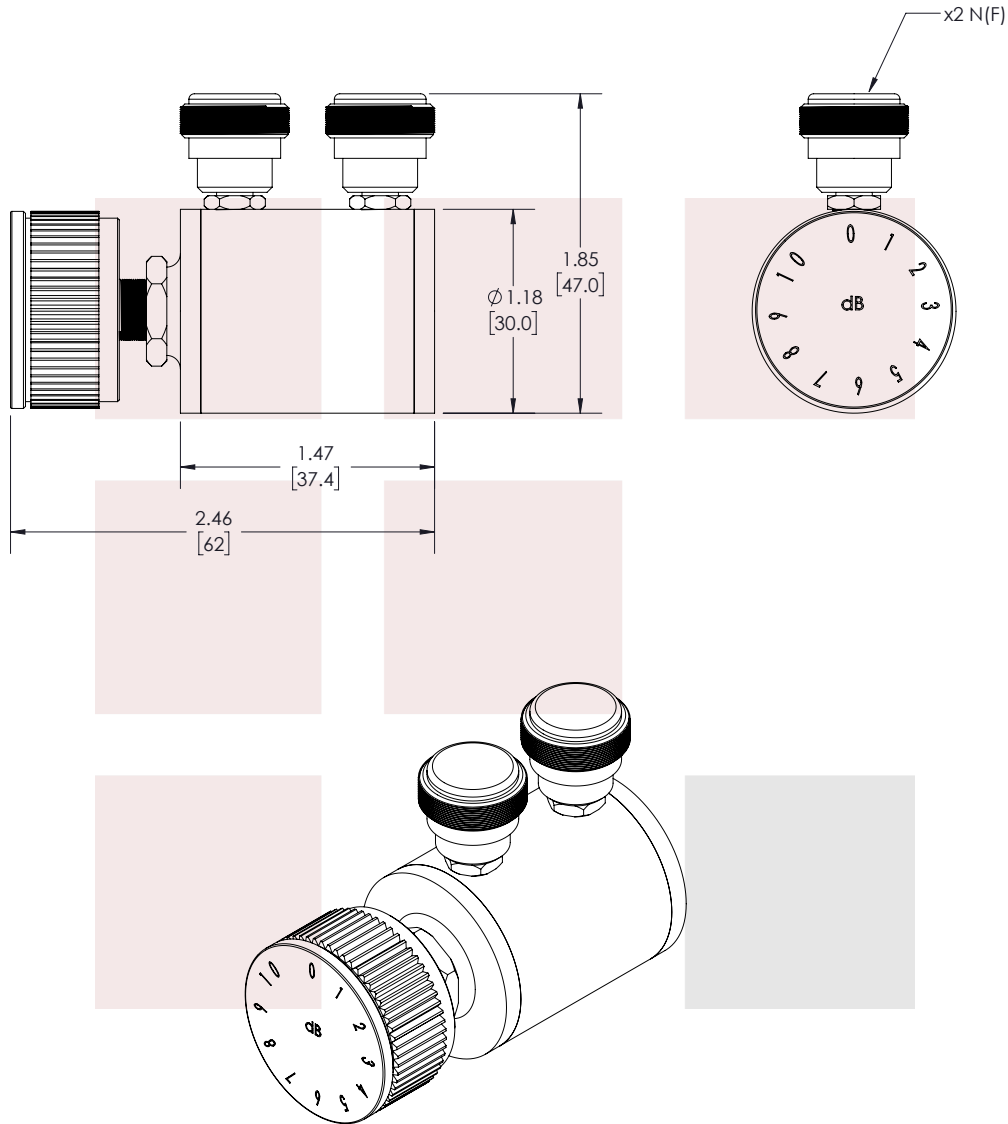
0 to 10 dB Rotary Step Attenuator, N-Type Female to N-Type Female With 1 dB Step Rated to 2 Watts Up to 6 GHz from Fairview Microwave is in-stock and available to ship same-day. All of our RF/microwave products are available off-the-shelf from our ISO 9001:2008 certified facilities in Lewisville, Texas. Fairview Microwave is RF on-demand.

For additional information on this product, please click the following link: [0 to 10 dB Rotary Step Attenuator, N-Type Female to N-Type Female With 1 dB Step Rated to 2 Watts Up to 6 GHz FMAT7439N-10](#)

URL: <https://www.fairviewmicrowave.com/10db-step-attenuator-1db-n-female-dc-6-ghz-2-watts-fmat7439n-10-p.aspx>

The information contained in this document is accurate to the best of our knowledge and representative of the part described herein. It may be necessary to make modifications to the part and/or the documentation of the part, in order to implement improvements. Fairview Microwave reserves the right to make such changes as required. Unless otherwise stated, all specifications are nominal. Fairview Microwave does not make any representation or warranty regarding the suitability of the part described herein for any particular purpose, and Fairview Microwave does not assume any liability arising out of the use of any part or documentation.

REVISIONS			
REV.	DESCRIPTION	DATE	APPROVED
A	INITIAL RELEASE	06/21/2022	SPONG



THESE COMMODITIES, TECHNOLOGY OR SOFTWARE WERE EXPORTED FROM THE UNITED STATES IN ACCORDANCE WITH THE EXPORT ADMINISTRATION REGULATIONS. DIVERSION CONTRARY TO U.S. LAW PROHIBITED.

TITLE

0 to 10 dB Rotary Step Attenuator, N-Type Female to N-Type Female With 1 dB Step Rated to 2 Watts Up to 6 GHz

UNLESS OTHERWISE SPECIFIED LEADING DIMENSIONS ARE INCHES  
DIMENSIONS IN [ ] ARE MILLIMETERS

TOLERANCES:

.X = ±.2 [5.08] FRACTIONS ± 1/32  
.XX = ±.02 [.51] ANGLES ± 1°  
.XXX = ±.005 [.13]

CABLE LENGTH (L) TOLERANCES:

L ≤ 12 [305] = +1 [25] / -0  
12 [305] < L ≤ 60 [1524] = +2 [51] / -0  
60 [1524] < L ≤ 120 [3048] = +4 [102] / -0  
120 [3048] < L ≤ 300 [7620] = +6 [152] / -0  
300 [7620] < L = +5%L / -0

THIRD-ANGLE PROJECTION



THE INFORMATION AND DESIGN IN THIS DOCUMENT IS THE PROPERTY OF FAIRVIEW MICROWAVE CORPORATION. ALL RIGHTS RESERVED.

SHEET 1 OF 1

ALL DIMENSIONS SHOWN ARE FOR REFERENCE ONLY.

SCALE N/A

SIZE A	CAGE CODE 3FKR5	DRAWN BY PSRINIVAS	ITEM NO. FMAT7439N-10	REV A
-----------	--------------------	-----------------------	--------------------------	----------

T-Rev.D