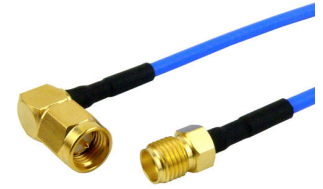


## RA SMA Male to SMA Female Cable FM-F086 Coax



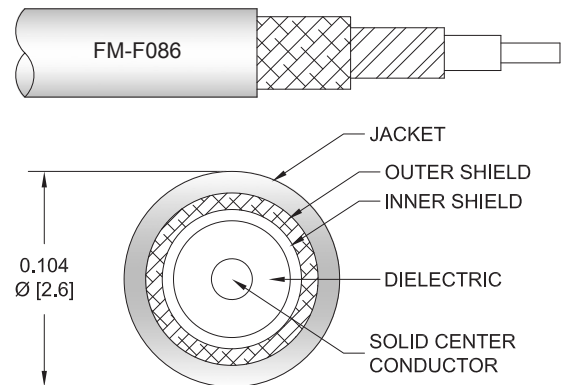
### FMC0413085

#### Configuration

- Connector 1: SMA Male Right Angle
- Connector 2: SMA Female
- Cable Type: FM-F086
- Coax Flex Type: Flexible

#### Features

- Max Frequency 12.4 GHz
- 70.6% Phase Velocity
- Double Shielded
- FEP Jacket



#### Applications

- General Purpose
- Laboratory Use

#### Description

The RA SMA male to SMA female cable using FM-F086 coax, part number FMC0413085, from Fairview Microwave is in-stock and ships same day. This Fairview SMA to SMA cable assembly has a male to female gender configuration with 50 ohm flexible FM-F086 coax. Fairview Microwave's flexible RF cable assemblies are ideal for applications where tight bends and continual flexure are required. The FMC0413085 SMA male to SMA female cable assembly operates to 12.4 GHz. The right angle SMA interface on the FM-F086 cable allows for easier connections in tight spaces. The double shielding of this Fairview cable assembly provides excellent shielding effectiveness.

Custom versions of most RF cable assemblies can be built and shipped same day. Custom cable assembly lengths can be obtained by specifying the desired length on the web site at time of order or by contacting a sales representative. Other RF cable assembly value added services including connector orientation or clocking, heat shrink booting and labeling are also available. RF testing can also be performed to document the electrical performance of your cable assembly.

#### Electrical Specifications

Description	Minimum	Typical	Maximum	Units
Frequency Range	DC		12.4	GHz
Velocity of Propagation		70.6		%
Capacitance		28.95 [94.98]		pF/ft [pF/m]

#### Mechanical Specifications

##### Cable Assembly

Weight 0.04012 lbs [18.2 g]

##### Cable

Cable Type FM-F086  
Impedance 50 Ohms  
Inner Conductor Type Solid

## RA SMA Male to SMA Female Cable FM-F086 Coax



### FMC0413085

Inner Conductor Material and Plating	Copper, Silver
Dielectric Type	PTFE
Number of Shields	2
Shield Layer 1	Silver Plated Copper Tape
Shield Layer 2	Silver Plated Copper Braid
Jacket Material	FEP, Blue
Jacket Diameter	0.104 in [2.64 mm]

### Connectors

Description	Connector 1	Connector 2
Type	SMA Male Right Angle	SMA Female
Impedance	50 Ohms	50 Ohms
Configuration	Right Angle	Straight
Contact Material and Plating	Brass, Gold	Beryllium Copper, Gold
Contact Plating Specification	50μ in. minimum	30μ" Minimum
Dielectric Type	Teflon	Teflon
Body Material and Plating	Stainless Steel, Gold	Gold
Body Plating Specification	3μ in. minimum	
Hex Size	16-May inch	
Torque	8.5 in-lbs 0.96 Nm	

### Environmental Specifications

Operating Range Temperature	-65 to +165 deg C
-----------------------------	-------------------

**Compliance Certifications** (see [product page](#) for current document)

### Plotted and Other Data

Notes:

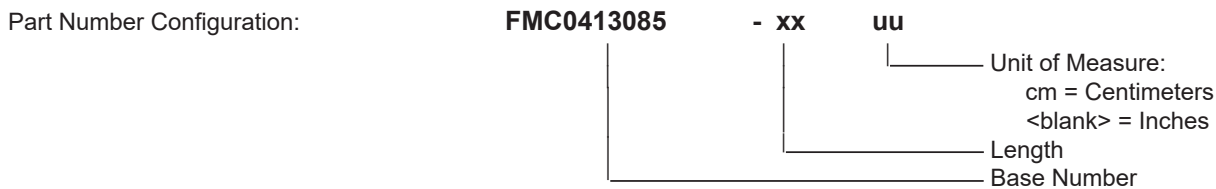
## RA SMA Male to SMA Female Cable FM-F086 Coax



### FMC0413085

#### Typical Performance Data

#### How to Order



Example: FMC0413085-12 = 12 inches long cable  
FMC0413085-100cm = 100 cm long cable

RA SMA Male to SMA Female Cable FM-F086 Coax from Fairview Microwave is in-stock and available to ship same-day. All of our RF/microwave products are available off-the-shelf from our ISO 9001:2008 certified facilities in Lewisville, Texas. Fairview Microwave is RF on-demand.

For additional information on this product, please click the following link: [RA SMA Male to SMA Female Cable FM-F086 Coax FMC0413085](#)

URL: <https://www.fairviewmicrowave.com/ra-sma-male-sma-female-cable-hs086-coax-fmc0413085-p.aspx>

The information contained within this document is accurate to the best of our knowledge and representative of the part described herein. It may be necessary to make modifications to the part and/or the documentation of the part in order to implement improvements. Fairview Microwave reserves the right to make such changes as required. Unless otherwise stated, all specifications are nominal. Fairview Microwave does not make any representation or warranty regarding the suitability of the part described herein for any particular purpose, and Fairview Microwave does not assume liability arising out of the use of any part or document.

# FMC0413085 CAD Drawing

## RA SMA Male to SMA Female Cable FM-F086 Coax

