

75 Ohm 12G SDI HD-BNC Female Bulkhead PCB Connector 0.062" Board Thickness Solder Attachment

75 Ohm HD-BNC female bulkhead connector with solder attachment for 0.062" board thickness PCB, part number FMCN0015, from Fairview Microwave is in-stock and ships same day. This HD-BNC female connector operates up to a maximum frequency of 12 GHz. Fairview's FMCN0015 bulkhead HD-BNC connector enables designers to make external connections on product enclosures, and can be used in a variety of other rack mount and panel mount applications. Fairview Microwave's 12G-SDI HD-BNC connector FMCN0015 utilizes 12Gb/s data transfer rates to enable high resolution uncompressed video signal transmission. These products offer 4K and Ultra-HD quality signals that meet SMPTE ST 2082-1. These 75 Ohm connectors are available in PCB edge-mount, straight, or right angle configurations, as well as coaxial connectors to be used in industry standard cable assemblies.

Fairview's 75 ohm HD-BNC female bulkhead connector FMCN0015 datasheet specifications and outline drawing are shown in this PDF below. Our extensive offering of RF, microwave and millimeter wave connectors allows designers to configure and customize their signal connections however they like. From providing an I/O for a board design to creating a custom cable assembly configuration, Fairview Microwave has a connector solution to meet your needs. Fairview Microwave also has the expertise to build your custom cable assemblies for you and ship them same-day.

Electrical Specifications

Description	Min	Typ	Max	Units
Frequency Range	DC		12	GHz

Mechanical Specifications

Size	
Length	0.689 in [17.5 mm]
Width/Dia.	0.3 in [7.62 mm]
Height	0.3 in [7.62 mm]
Weight	0.05 lbs [22.68 g]

Material Specifications

Description	Material	Plating
Contact	Brass	Gold 10 µin minimum
Insulation	PTFE	
Outer Conductor	Brass	Nickel 100 µin minimum
Body	Brass	Nickel 100 µin minimum



Configuration:

- HD-BNC Female Connector
- 75 Ohms
- Straight Body Geometry
- 0.062" Board Thickness Interface Type
- Solder Attachment
- Bulkhead

Features:

- Operating Frequency of 12 GHz Max.
- Gold Plated Brass Contact
- 10 µin minimum contact plating
- Meets SMPTE ST 2082-1
- Backwards Compatible with 2081-1
- 12Gb/s Transmission
- Cost Effective
- 4x Panel Density of Standard BNC
- 20% Lighter than Standard BNC

Applications:

- General Purpose Test
- Rack and Panel Mount Applications
- PCB Applications
- 12G-SDI, Video, and Broadband UHDTV
- Broadband Internet Delivery

Fairview Microwave
 301 Leora Ln., Suite 100
 Lewisville, TX 75056
 Tel: 1-800-715-4396 / (972) 649-6678
 Fax: (972) 649-6689
www.fairviewmicrowave.com
sales@fairviewmicrowave.com

Compliance Certifications (see [product page](#) for current document)

Plotted and Other Data

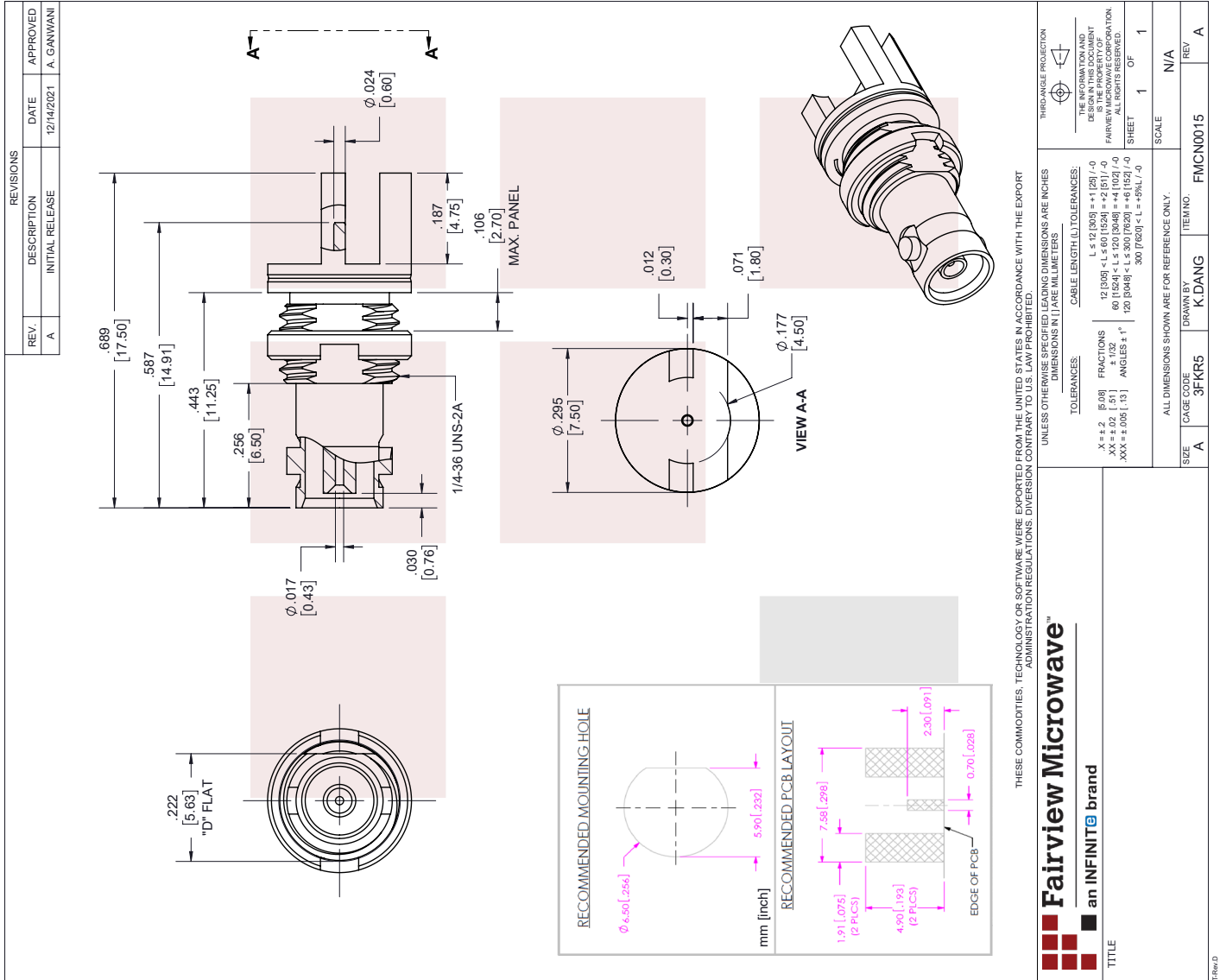
Notes:

75 Ohm 12G SDI HD-BNC Female Bulkhead PCB Connector 0.062" Board Thickness Solder Attachment from Fairview Microwave is in-stock and available to ship same-day. All of our RF/microwave products are available off-the-shelf from our ISO 9001:2008 certified facilities in Lewisville, Texas. Fairview Microwave is RF on-demand.

For additional information on this product, please click the following link: [75 Ohm 12G SDI HD-BNC Female Bulkhead PCB Connector 0.062" Board Thickness Solder Attachment FMCN0015](#)

URL: <https://www.fairviewmicrowave.com/hd-bnc-female-pcb-connector-fmcn0015-p.aspx>

The information contained in this document is accurate to the best of our knowledge and representative of the part described herein. It may be necessary to make modifications to the part and/or the documentation of the part, in order to implement improvements. Fairview Microwave reserves the right to make such changes as required. Unless otherwise stated, all specifications are nominal. Fairview Microwave does not make any representation or warranty regarding the suitability of the part described herein for any particular purpose, and Fairview Microwave does not assume any liability arising out of the use of any part or documentation.



75 Ohm 12G SDI HD-BNC Female Bulkhead PCB Connector 0.062" Board Thickness Solder Attachment