

TNC Male Precision Connector Clamp/Solder Attachment for LL142 Cable

TNC male precision connector with clamp/solder attachment for LL142, part number FMCN1081, from Fairview Microwave is in-stock and ships same day. This TNC male connector operates up to a maximum frequency of 18 GHz and offers excellent VSWR of 1.16:1.

Fairview's TNC male connector FMCN1081 datasheet specifications and outline drawing are shown in this PDF below. Our extensive offering of RF, microwave and millimeter wave connectors allows designers to configure and customize their signal connections however they like. From providing an I/O for a board design to creating a custom cable assembly configuration, Fairview Microwave has a connector solution to meet your needs. Fairview Microwave also has the expertise to build your custom cable assemblies for you and ship them same-day.

Electrical Specifications

Description	Min	Typ	Max	Units
Frequency Range	DC		18	GHz
VSWR			1.16:1	
Insertion Loss			0.22	dB
Operating Voltage (AC)			500	Vrms
DWV (AC)			1,500	Vrms
High Potential Voltage 5 to 7.5 MHz			1,000	Vrms
Corona Discharge at 70,000 ft			375	Vrms
Insulation Resistance	5,000			MOhms
RF Leakage	90			dB

Performance by Frequency

Description	F1	F2	F3	F4	F5	Units
Freq. Range	DC to 12.4	12.4 to 18				GHz
VSWR, Max	1.14:1	1.16:1				

Electrical Specification Notes:
Insertion loss: $0.05 \times \sqrt{f(\text{GHz})}$ dB max.

Mechanical Specifications

Size	
Length	1.27 in [32.26 mm]
Width/Dia.	0.625 in [15.88 mm]
Weight	0.1014 lbs [45.99 g]
Mating Torque	12 to 15 in-lbs [1.36 to 1.70 Nm]



Configuration:

- TNC Male Connector
- MIL-STD-348
- 50 Ohms
- Straight Body Geometry
- LL142 Interface Type
- Clamp/Solder Attachment
- 9/16 Inch Hex
- Precision Design

Features:

- Operating Frequency of 18 GHz Max.
- Excellent VSWR of 1.16:1
- Gold over Nickel Plated Beryllium Copper Contact
- 51 µin minimum contact plating

Applications:

- General Purpose Test
- Precision Test & Measurement
- Custom Cable Assemblies

Fairview Microwave
301 Leora Ln., Suite 100
Lewisville, TX 75056
Tel: 1-800-715-4396 / (972) 649-6678
Fax: (972) 649-6689
www.fairviewmicrowave.com
sales@fairviewmicrowave.com

Material Specifications

Description	Material	Plating
Contact	Beryllium Copper	Gold over Nickel 51 µin minimum
Insulation	PEI	
Body	Passivated Stainless Steel	SAE-AMS-2701
Coupling Nut	Passivated Stainless Steel	SAE-AMS-2701

Environmental Specifications
Temperature

Operating Range

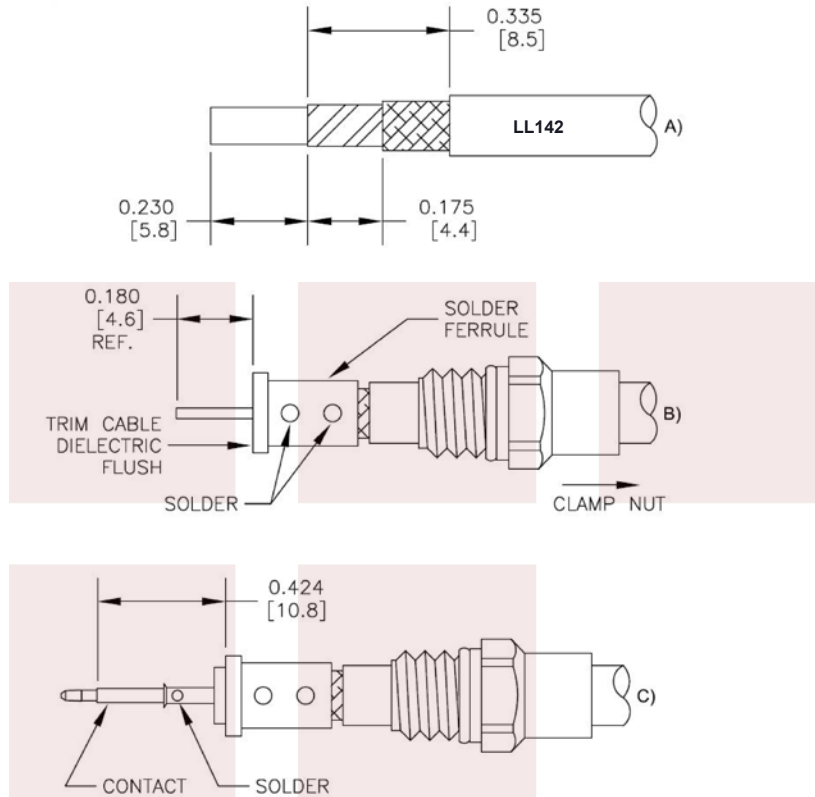
-65 to +165 deg C

Compliance Certifications (see [product page](#) for current document)

Plotted and Other Data

Notes:

Assembly Instruction



ASSEMBLY PROCEDURES

1. STRIP CABLE AS SHOWN IN (A). DO NOT NICK DIELECTRIC.
2. SLIDE CLAMP NUT OVER CABLE AS SHOWN IN (B). INSERT CABLE INTO SOLDER FERRULE UNTIL FWD BRAID SEATS THEN SOLDER BOTH CABLE BRAIDS WHERE SHOWN. TRIM CABLE DIELECTRIC FLUSH TO SOLDER FERRULE.
3. SLIDE ULTEM DIELECTRIC STOP OVER CABLE CENTER CONDUCTOR AGAINST SOLDER FERRULE AS SHOWN IN (C). SOLDER CONTACT FLUSH AGAINST STOP TO DIMENSION SHOWN.
4. SCREW ASSEMBLY INTO BODY & TIGHTEN NUT.

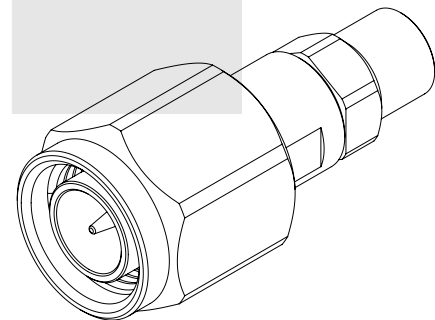
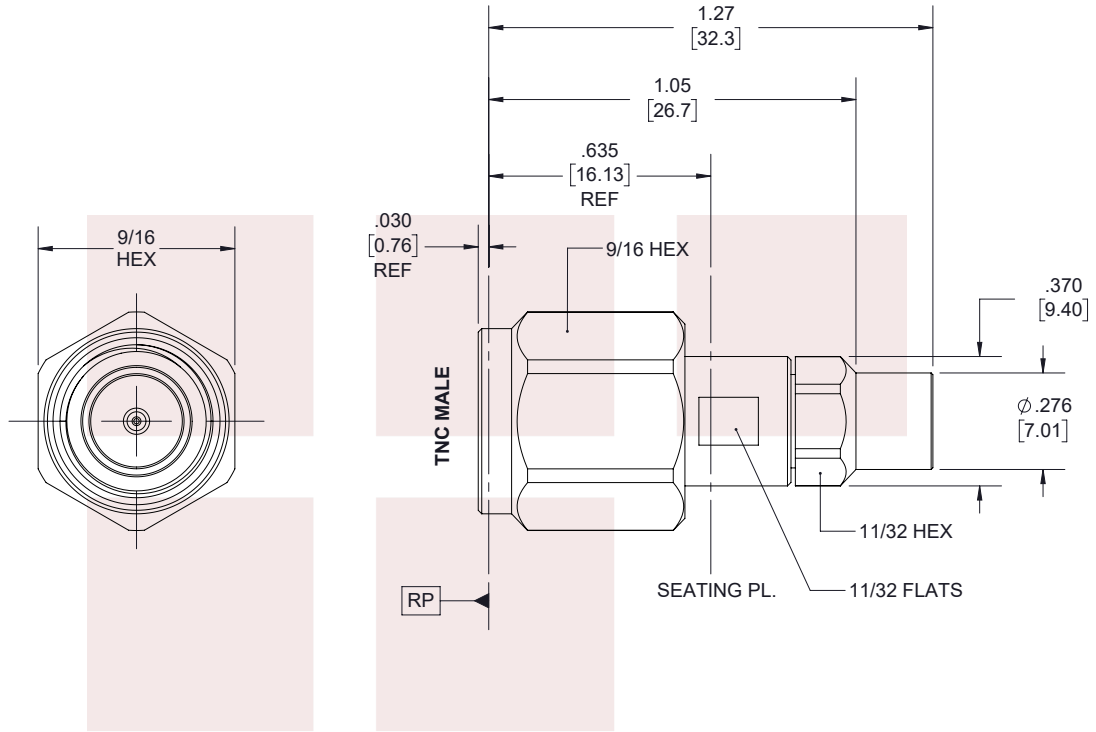
TNC Male Precision Connector Clamp/Solder Attachment for LL142 Cable from Fairview Microwave is in-stock and available to ship same-day. All of our RF/microwave products are available off-the-shelf from our ISO 9001:2008 certified facilities in Allen, Texas. Fairview Microwave is RF on-demand.

For additional information on this product, please click the following link: [TNC Male Precision Connector Clamp/Solder Attachment for LL142 Cable FMCN1081](#)

URL: <https://www.fairviewmicrowave.com/tnc-male-ll142-connector-fmcn1081-p.aspx>

The information contained in this document is accurate to the best of our knowledge and representative of the part described herein. It may be necessary to make modifications to the part and/or the documentation of the part, in order to implement improvements. Fairview Microwave reserves the right to make such changes as required. Unless otherwise stated, all specifications are nominal. Fairview Microwave does not make any representation or warranty regarding the suitability of the part described herein for any particular purpose, and Fairview Microwave does not assume any liability arising out of the use of any part or documentation.





STANDARD TOLERANCES

.X ±0.2
.XX ±0.01
.XXX ±0.005

*STANDARD TOLERANCES APPLY ONLY TO DIMENSIONS IN INCHES

NOTES:
1. UNLESS OTHERWISE SPECIFIED ALL DIMENSIONS ARE NOMINAL.
2. ALL SPECIFICATIONS ARE SUBJECT TO CHANGE WITHOUT NOTICE AT ANY TIME.
3. DIMENSIONS ARE IN INCHES [mm].

TITLE TNC Male Precision Connector Clamp/Solder Attachment for LL142 Cable	DWG NO FMCN1081		CAGE CODE 3FKR5			
	CAD FILE 06/11/19	SHEET 1 OF 2	SCALE N/A	SIZE A	7361	