

SMA Male Precision Connector Clamp/Solder Attachment for LL335i Cable .490 inch Diameter Body

SMA male precision connector with clamp/solder attachment for LL335i, part number FMCN1185, from Fairview Microwave is in-stock and ships same day. This SMA male connector operates up to a maximum frequency of 18 GHz and offers good VSWR of 1.4:1.

Fairview's SMA male connector FMCN1185 datasheet specifications and outline drawing are shown in this PDF below. Our extensive offering of RF, microwave and millimeter wave connectors allows designers to configure and customize their signal connections however they like. From providing an I/O for a board design to creating a custom cable assembly configuration, Fairview Microwave has a connector solution to meet your needs. Fairview Microwave also has the expertise to build your custom cable assemblies for you and ship them same-day.

Electrical Specifications

Description	Min	Typ	Max	Units
Frequency Range	DC		18	GHz
VSWR			1.4:1	

Mechanical Specifications

Size	
Length	1.61 in [40.89 mm]
Width/Dia.	0.491 in [12.47 mm]
Weight	0.045 lbs [20.41 g]

Material Specifications

Description	Material	Plating
Contact	Beryllium Copper	Gold ASTM-B488 50 µin
Insulation	PTFE	
Body	Passivated Stainless Steel	SAE-AMS-2700
Coupling Nut	Passivated Stainless Steel	SAE-AMS-2700
Gasket	Silicone Rubber	

Environmental Specifications

Temperature	
Operating Range	-55 to +160 deg C

Compliance Certifications (see [product page](#) for current document)

Plotted and Other Data

Notes:



Configuration:

- SMA Male Connector
- MIL-STD-348
- 50 Ohms
- Straight Body Geometry
- LL335i Interface Type
- Clamp/Solder Attachment
- 5/16 Inch Hex
- Precision Design

Features:

- Operating Frequency of 18 GHz Max.
- Good VSWR of 1.4:1
- Gold Plated Beryllium Copper Contact
- Contact plating according to ASTM-B488 50 µin

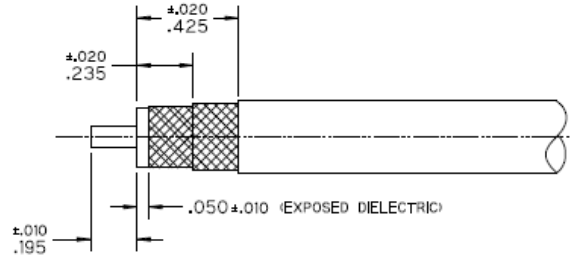
Applications:

- General Purpose Test
- Precision Test & Measurement
- Custom Cable Assemblies

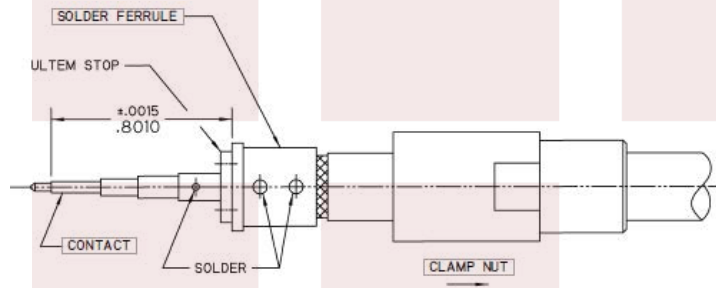
Fairview Microwave
301 Leora Ln., Suite 100
Lewisville, TX 75056
Tel: 1-800-715-4396 / (972) 649-6678
Fax: (972) 649-6689
www.fairviewmicrowave.com
sales@fairviewmicrowave.com

Assembly Instruction

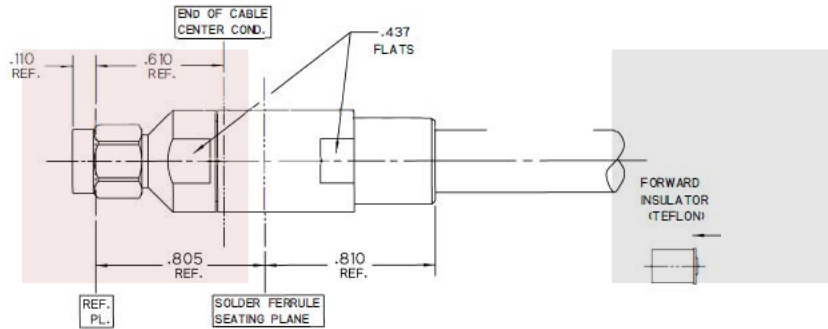
1. TRIM CABLE AS SHOWN.



2. SLIDE CLAMP NUT OVER CABLE AS SHOWN. INSERT CABLE INTO SOLDER FERRULE UNTIL CABLE DIELECTRIC IS FLUSH WITH FACE OF FERRULE. THEN SOLDER BOTH CABLE BRAIDS WHERE SHOWN. SLIDE DIELECTRIC STOP OVER CABLE CENTER CONDUCTOR AND SOLDER CONTACT FLUSH AGAINST STOP TO DIMENSION SHOWN.



3. INSERT FORWARD INSULATOR INTO CONNECTOR IN ORIENTATION SHOWN. INSERT CABLE/ CONTACT SUB-ASSEMBLY INTO CONNECTOR UNTIL SEATED AND TIGHTEN CLAMP NUT TO 35-45 IN-LBS.



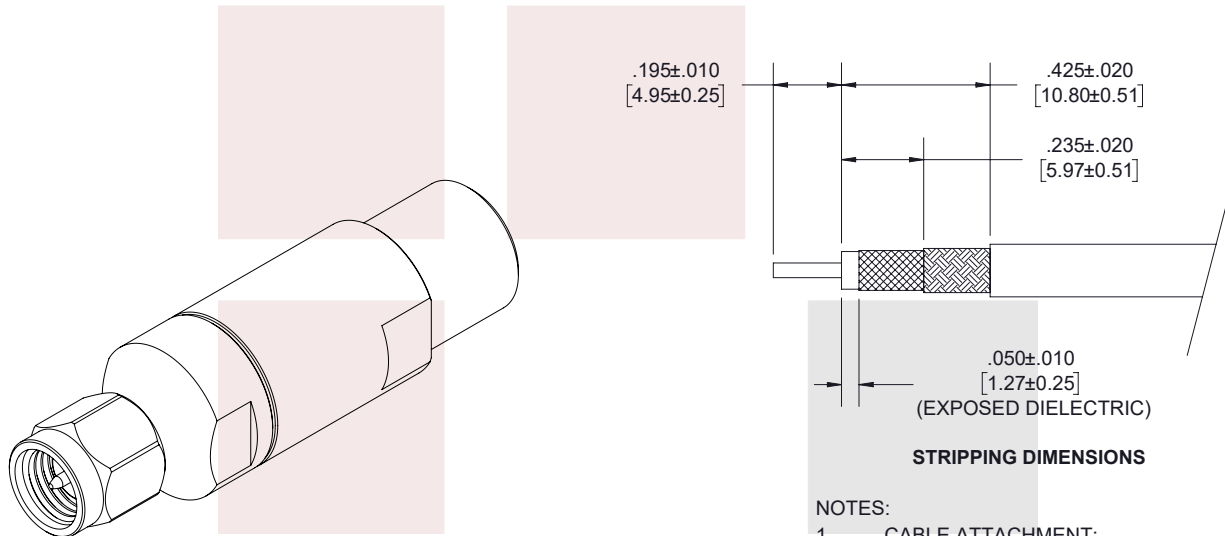
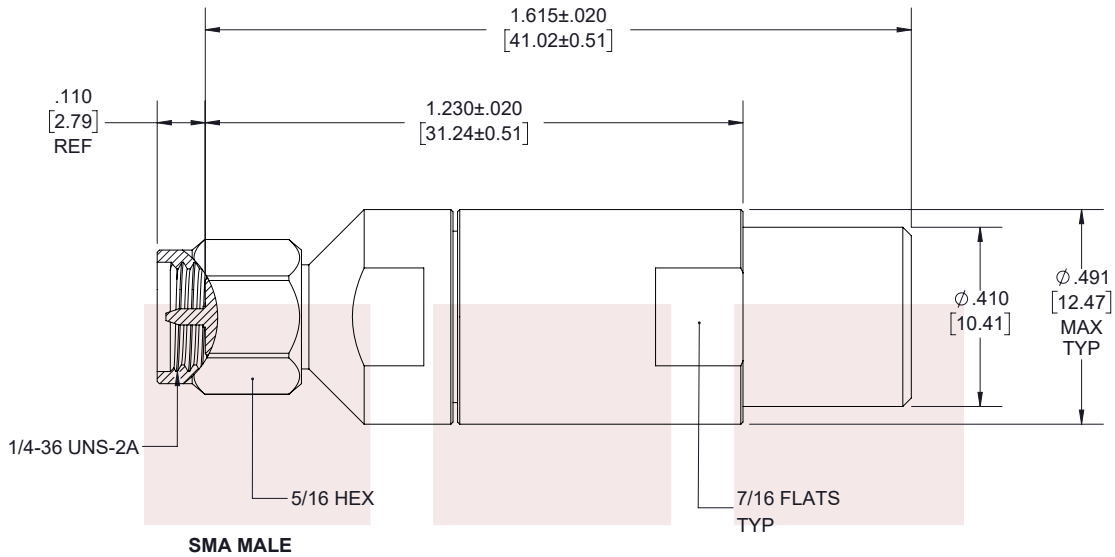
SMA Male Precision Connector Clamp/Solder Attachment for LL335i Cable .490 inch Diameter Body from Fairview Microwave is in-stock and available to ship same-day. All of our RF/microwave products are available off-the-shelf from our ISO 9001:2008 certified facilities in Allen, Texas. Fairview Microwave is RF on-demand.

For additional information on this product, please click the following link: [SMA Male Precision Connector Clamp/Solder Attachment for LL335i Cable .490 inch Diameter Body FMCN1185](#)

URL: <https://www.fairviewmicrowave.com/sma-male-ll335i-connector-fmcn1185-p.aspx>

The information contained in this document is accurate to the best of our knowledge and representative of the part described herein. It may be necessary to make modifications to the part and/or the documentation of the part, in order to implement improvements. Fairview Microwave reserves the right to make such changes as required. Unless otherwise stated, all specifications are nominal. Fairview Microwave does not make any representation or warranty regarding the suitability of the part described herein for any particular purpose, and Fairview Microwave does not assume any liability arising out of the use of any part or documentation.





NOTES:

- CABLE ATTACHMENT:
 - OUTER: CLAMP.
 - INNER: SOLDER.

STANDARD TOLERANCES

- .X ±0.2
- .XX ±0.01
- .XXX ±0.005

*STANDARD TOLERANCES APPLY ONLY TO DIMENSIONS IN INCHES

<p>Fairview Microwave an INFINIT[®] brand</p>		<p>NOTES: 1. UNLESS OTHERWISE SPECIFIED ALL DIMENSIONS ARE NOMINAL. 2. ALL SPECIFICATIONS ARE SUBJECT TO CHANGE WITHOUT NOTICE AT ANY TIME. 3. DIMENSIONS ARE IN INCHES [mm].</p>					
<p>TITLE SMA Male Precision Connector Clamp/Solder Attachment for LL335i Cable .490 inch Diameter Body</p>		<p>DWG NO FMCN1185</p>		<p>CAGE CODE 3FKR5</p>			
CAD FILE	05/30/19	SHEET	1 OF 1	SCALE	N/A	SIZE A	7361