

### FAKRA Jack Connector Crimp/Solder Attachment for RG174, RG316, RG188, .100 inch, FM-B100, FM- C100, LMR-100, Bordeaux Color

FAKRA jack connector with crimp/solder attachment for RG174, RG316, RG188, .100 inch, FM-B100, FM-C100 and LMR-100, bordeaux color, part number FMCN1346D, from Fairview Microwave is in-stock and ships same day. This FAKRA jack connector operates up to a maximum frequency of 4 GHz and offers good VSWR of 1.3:1.

Fairview's FAKRA jack connector FMCN1346D datasheet specifications and outline drawing are shown in this PDF below. Our extensive offering of RF, microwave and millimeter wave connectors allows designers to configure and customize their signal connections however they like. From providing an I/O for a board design to creating a custom cable assembly configuration, Fairview Microwave has a connector solution to meet your needs. Fairview Microwave also has the expertise to build your custom cable assemblies for you and ship them same-day.

#### Electrical Specifications

| Description               | Min   | Typ | Max   | Units |
|---------------------------|-------|-----|-------|-------|
| Frequency Range           | DC    |     | 4     | GHz   |
| VSWR                      |       |     | 1.3:1 |       |
| Operating Voltage (AC)    |       |     | 335   | Vrms  |
| DWV (AC)                  |       |     | 1,000 | Vrms  |
| Inner Cond. DC Resistance |       |     | 6     | mOhms |
| Outer Cond. DC Resistance |       |     | 2.5   | mOhms |
| Insulation Resistance     | 1,000 |     |       | MOhms |

#### Mechanical Specifications

|             |                    |
|-------------|--------------------|
| <b>Size</b> |                    |
| Length      | 0.038 in [0.97 mm] |
| Width/Dia.  | 0.37 in [9.40 mm]  |
| Height      | 0.54 in [13.72 mm] |

#### Material Specifications

| Description     | Material        | Plating |
|-----------------|-----------------|---------|
| Contact         | Phosphor Bronze | Gold    |
| Insulation      | PTFE            |         |
| Outer Conductor | Brass           | Nickel  |
| Body            | Plastic         |         |

#### Environmental Specifications

|                    |                  |
|--------------------|------------------|
| <b>Temperature</b> |                  |
| Operating Range    | -40 to +85 deg C |

**Compliance Certifications** (see [product page](#) for current document)

#### Plotted and Other Data

Notes:



#### Configuration:

- FAKRA Jack Connector
- 50 Ohms
- Straight Body Geometry
- RG174, RG316, RG188, .100 inch, FM-B100, FM-C100, LMR-100 Interface Type
- Crimp/Solder Attachment

#### Features:

- Operating Frequency of 4 GHz Max.
- Good VSWR of 1.3:1
- Gold Plated Phosphor Bronze Contact

#### Applications:

- General Purpose Test
- Custom Cable Assemblies

Fairview Microwave  
301 Leora Ln., Suite 100  
Lewisville, TX 75056  
Tel: 1-800-715-4396 / (972) 649-6678  
Fax: (972) 649-6689  
[www.fairviewmicrowave.com](http://www.fairviewmicrowave.com)  
[sales@fairviewmicrowave.com](mailto:sales@fairviewmicrowave.com)

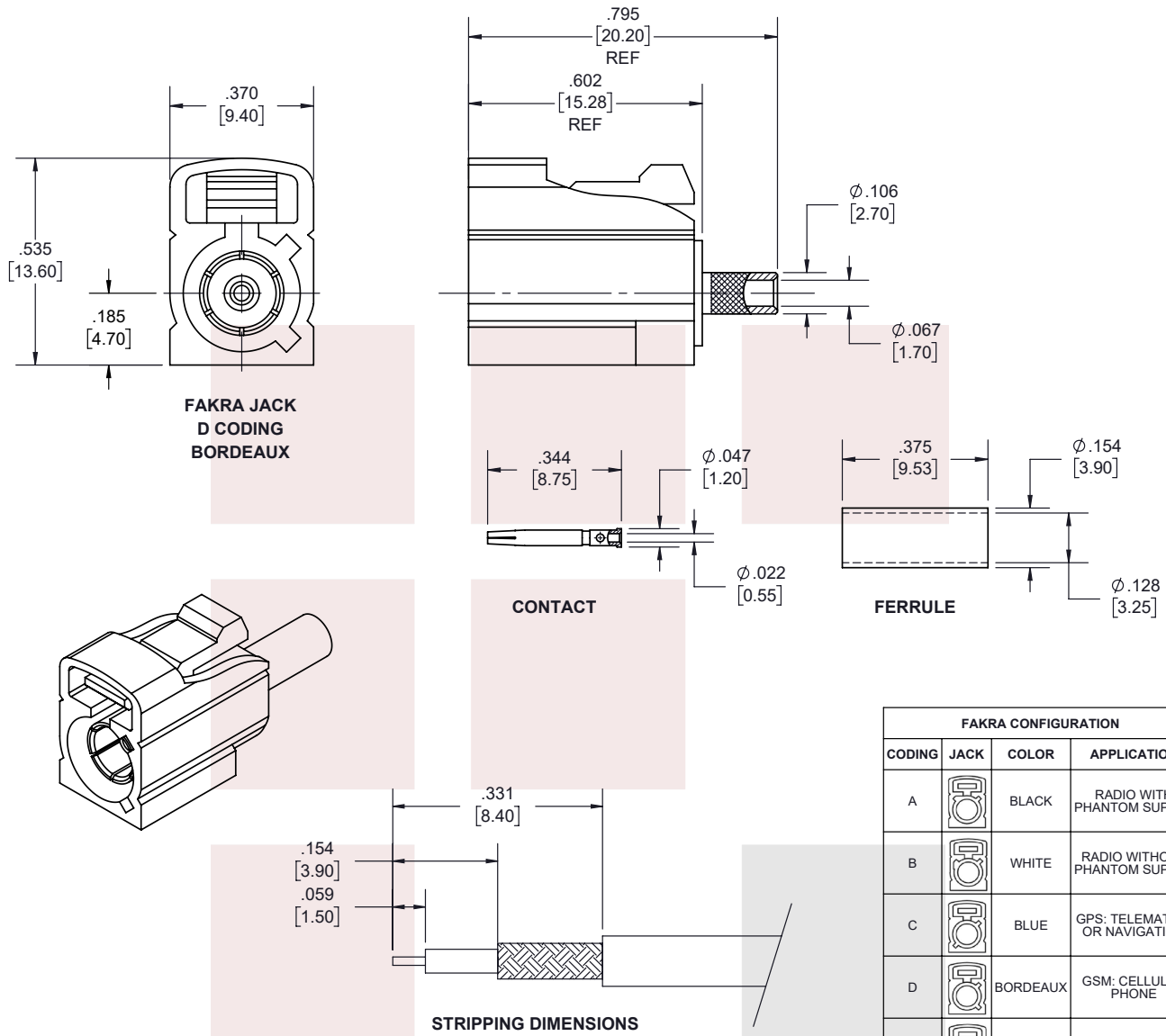
FAKRA Jack Connector Crimp/Solder Attachment for RG174, RG316, RG188, .100 inch, FM-B100, FM-C100, LMR-100, Bordeaux Color from Fairview Microwave is in-stock and available to ship same-day. All of our RF/microwave products are available off-the-shelf from our ISO 9001:2008 certified facilities in Allen, Texas. Fairview Microwave is RF on-demand.

For additional information on this product, please click the following link: [FAKRA Jack Connector Crimp/Solder Attachment for RG174, RG316, RG188, .100 inch, FM-B100, FM-C100, LMR-100, Bordeaux Color FMCN1346D](#)

URL: <https://www.fairviewmicrowave.com/fakra-jack-standard-rg174-rg316-connector-fmcn1346d-p.aspx>

The information contained in this document is accurate to the best of our knowledge and representative of the part described herein. It may be necessary to make modifications to the part and/or the documentation of the part, in order to implement improvements. Fairview Microwave reserves the right to make such changes as required. Unless otherwise stated, all specifications are nominal. Fairview Microwave does not make any representation or warranty regarding the suitability of the part described herein for any particular purpose, and Fairview Microwave does not assume any liability arising out of the use of any part or documentation.





| FAKRA CONFIGURATION |      |            |  |
|---------------------|------|------------|--|
| CODING              | JACK | COLOR      | APPLICATION                              |
| A                   |      | BLACK      | RADIO WITH PHANTOM SUPPLY                |
| B                   |      | WHITE      | RADIO WITHOUT PHANTOM SUPPLY             |
| C                   |      | BLUE       | GPS: TELEMATICS OR NAVIGATION            |
| D                   |      | BORDEAUX   | GSM: CELLULAR PHONE                      |
| H                   |      | VIOLET     | GPS: TELEMATICS AND NAVIGATION           |
| I                   |      | BEIGE      | BLUETOOTH                                |
| K                   |      | CURRY      | RADIO WITH IF OUTPUT (ANTENNA DIVERSITY) |
| Z                   |      | WATER BLUE | NEUTRAL CODING                           |

- NOTES:
- CABLE ATTACHMENT:
    - OUTER: CRIMP.
    - INNER: SOLDER.
  - CRIMP SIZE REQUIRED:
    - FERRULE: .128 [3.25] HEX. CRIMP TOOL
    - CONTACT: SOLDER.

| STANDARD TOLERANCES |        |
|---------------------|--------|
| .X                  | ±0.2   |
| .XX                 | ±0.01  |
| .XXX                | ±0.005 |

\*STANDARD TOLERANCES APPLY ONLY TO DIMENSIONS IN INCHES

|   |          |   |                    |
|---|----------|---|--------------------|
|   |          | NOTES:<br>1. UNLESS OTHERWISE SPECIFIED ALL DIMENSIONS ARE NOMINAL.<br>2. ALL SPECIFICATIONS ARE SUBJECT TO CHANGE WITHOUT NOTICE AT ANY TIME.<br>3. DIMENSIONS ARE IN INCHES [mm]. |                    |
| TITLE<br>FAKRA Jack Connector Crimp/Solder Attachment for RG174, RG316, RG188, .100 inch, FM-B100, FM-C100, LMR-100, Bordeaux Color |          | DWG NO<br>FMCN1346D   | CAGE CODE<br>3FKR5 |
| CAD FILE  | 09/22/19 | SHEET   | 1 OF 1             |
| SCALE   | N/A      | SIZE  | A                  |
|   |          | 7361  |                    |