

RA N Female Connector Solder Cup Terminal Solder Attachment 4 Hole Flange , .718 inch Hole Spacing

RA type N female 4 hole flange mount connector with solder cup terminal (.718 inch hole spacing), part number FMCN1385, from Fairview Microwave is in-stock and ships same day. This type N female connector operates up to a maximum frequency of 12.4 GHz. Its right angle body geometry facilitates connections in tight spaces. Fairview's FMCN1385 4 hole flange type N connector enables designers to make external connections on product enclosures, and can be used in a variety of other rack mount and panel mount applications.

Fairview's RA type N female 4 hole flange connector FMCN1385 datasheet specifications and outline drawing are shown in this PDF below. Our extensive offering of RF, microwave and millimeter wave connectors allows designers to configure and customize their signal connections however they like. From providing an I/O for a board design to creating a custom cable assembly configuration, Fairview Microwave has a connector solution to meet your needs. Fairview Microwave also has the expertise to build your custom cable assemblies for you and ship them same-day.



Configuration:

- N Female Connector
- MIL-STD-348
- 50 Ohms
- Right Angle Body Geometry
- Solder Cup Interface Type
- Solder Attachment
- 4 Hole Flange

Features:

- Operating Frequency of 12.4 GHz Max.
- Silver Plated Beryllium Copper Contact
- Contact plating according to ASTM-B700

Applications:

- General Purpose Test
- Rack and Panel Mount Applications

Electrical Specifications

Description	Min	Typ	Max	Units
Frequency Range	DC		12.4	GHz
Operating Voltage (AC)			1,000	Vrms
DWV (AC)			2,500	Vrms

Mechanical Specifications

Size	
Length	1.46 in [37.08 mm]
Width/Dia.	1 in [25.40 mm]
Height	1.405 in [35.69 mm]

Material Specifications

Description	Material	Plating
Contact	Beryllium Copper	Silver ASTM-B700
Insulation	PTFE	
Body	Brass	Nickel ASTM-B689

Environmental Specifications

Temperature	
Operating Range	-65 to +165 deg C

Compliance Certifications (see [product page](#) for current document)

Plotted and Other Data

Notes:

Fairview Microwave
 301 Leora Ln., Suite 100
 Lewisville, TX 75056
 Tel: 1-800-715-4396 / (972) 649-6678
 Fax: (972) 649-6689
www.fairviewmicrowave.com
sales@fairviewmicrowave.com

Assembly Instruction

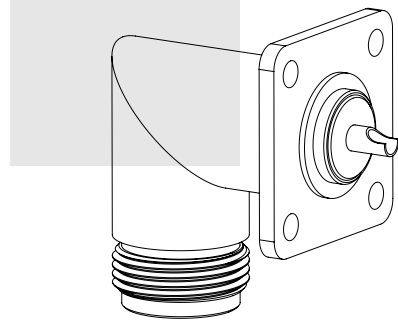
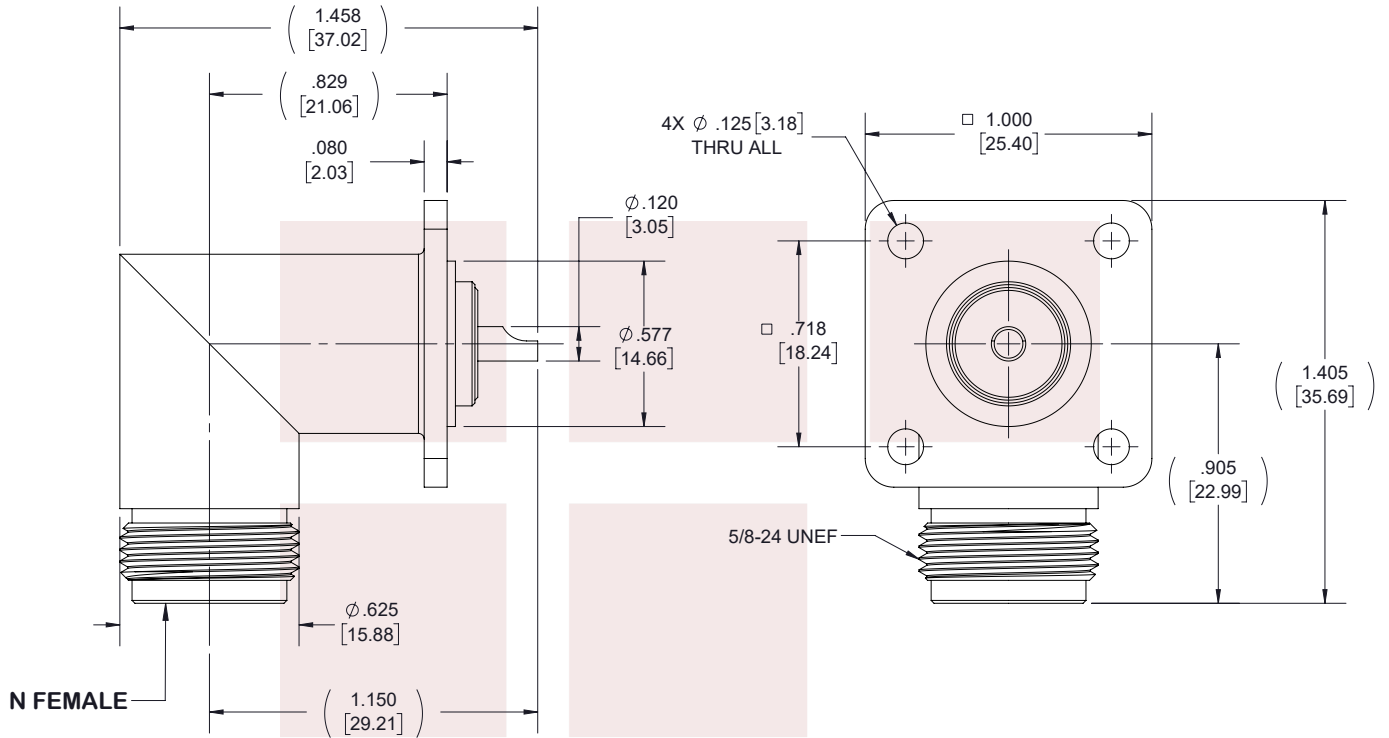
RA N Female Connector Solder Cup Terminal Solder Attachment 4 Hole Flange , .718 inch Hole Spacing from Fairview Microwave is in-stock and available to ship same-day. All of our RF/microwave products are available off-the-shelf from our ISO 9001:2008 certified facilities in Allen, Texas. Fairview Microwave is RF on-demand.

For additional information on this product, please click the following link: [RA N Female Connector Solder Cup Terminal Solder Attachment 4 Hole Flange , .718 inch Hole Spacing FMCN1385](#)

URL: <https://www.fairviewmicrowave.com/n-female-solder-cup-terminal-connector-fmcn1385-p.aspx>

The information contained in this document is accurate to the best of our knowledge and representative of the part described herein. It may be necessary to make modifications to the part and/or the documentation of the part, in order to implement improvements. Fairview Microwave reserves the right to make such changes as required. Unless otherwise stated, all specifications are nominal. Fairview Microwave does not make any representation or warranty regarding the suitability of the part described herein for any particular purpose, and Fairview Microwave does not assume any liability arising out of the use of any part or documentation.





STANDARD TOLERANCES	
.X	±0.2
.XX	±0.01
.XXX	±0.005

*STANDARD TOLERANCES APPLY ONLY TO DIMENSIONS IN INCHES

FAIRVIEW MICROWAVE INC. ALLEN, TX 75013 WWW.FAIRVIEWMICROWAVE.COM		NOTES: 1. UNLESS OTHERWISE SPECIFIED ALL DIMENSIONS ARE NOMINAL. 2. ALL SPECIFICATIONS ARE SUBJECT TO CHANGE WITHOUT NOTICE AT ANY TIME. 3. DIMENSIONS ARE IN INCHES [mm].						
TITLE RA N Female Connector Solder Cup Terminal Solder Attachment 4 Hole Flange , .718 inch Hole Spacing		DWG NO FMCN1385		CAGE CODE 3FKR5				
CAD FILE	111317	SHEET	1 OF 1	SCALE	N/A	SIZE	A	7361