

3.5mm Male Connector Clamp/Solder Attachment for RG402, RG402 Tinned, .141 SR Cable

3.5mm male connector with clamp/solder attachment for RG402, RG402 Tinned and .141 SR, part number FMCN1424, from Fairview Microwave is in-stock and ships same day. This 3.5mm male connector operates up to a maximum frequency of 34 GHz and offers excellent VSWR of 1.2:1.

Fairview's 3.5mm male connector FMCN1424 datasheet specifications and outline drawing are shown in this PDF below. Our extensive offering of RF, microwave and millimeter wave connectors allows designers to configure and customize their signal connections however they like. From providing an I/O for a board design to creating a custom cable assembly configuration, Fairview Microwave has a connector solution to meet your needs. Fairview Microwave also has the expertise to build your custom cable assemblies for you and ship them same-day.

Electrical Specifications

Description	Min	Typ	Max	Units
Frequency Range	DC		34	GHz
VSWR			1.2:1	
Insertion Loss			0.233	dB
Operating Voltage (AC)			500	Vrms
DWV (AC)			1,500	Vrms
High Potential Voltage 5 to 7.5 MHz			1,000	Vrms
Corona Discharge @ 70000 ft			375	Vrms
Insulation Resistance	5,000			MOhms
RF Leakage	-90			dB

Performance by Frequency

Description	F1	F2	F3	F4	F5	Units
Freq. Range	DC to 12	12 to 27	27 to 34			GHz
VSWR, Max	1.1:1	1.14:1	1.2:1			

Electrical Specification Notes:
Insertion Loss is $0.04 * \sqrt{F(\text{GHz})}$ dB

Mechanical Specifications

Size	
Length	0.86 in [21.84 mm]
Width/Dia.	0.32 in [8.13 mm]
Weight	0.006 lbs [2.72 g]
Mating Cycles	500 Cycles
Mating Torque	8 to 10 in-lbs [0.90 to 1.13 Nm]



Configuration:

- 3.5mm Male Connector
- 50 Ohms
- Straight Body Geometry
- RG402, RG402 Tinned, .141 SR Interface Type
- Clamp/Solder Attachment
- 5/16 inch Hex

Features:

- Operating Frequency of 34 GHz Max.
- Excellent VSWR of 1.2:1
- Gold over Nickel Plated Beryllium Copper Contact
- 50 μ m minimum contact plating

Applications:

- General Purpose Test
- Custom Cable Assemblies

Fairview Microwave
301 Leora Ln., Suite 100
Lewisville, TX 75056
Tel: 1-800-715-4396 / (972) 649-6678
Fax: (972) 649-6689
www.fairviewmicrowave.com
sales@fairviewmicrowave.com

Material Specifications

Description	Material	Plating
Contact	Beryllium Copper	Gold over Nickel 50 µin minimum
Insulation	PCTFE	
Body	Passivated Stainless Steel	SAE-AMS-2700
Coupling Nut	Passivated Stainless Steel	SAE-AMS-2700
Gasket	Silicone Rubber	

Environmental Specifications
Temperature

Operating Range

-65 to +150 deg C

Humidity

MIL-STD-202, METHOD 106, (NO VIBRATION)

Shock

MIL-STD-202, METHOD 213, CONDITION I

Vibration

MIL-STD-202, METHOD 204, CONDITION D

Thermal Shock

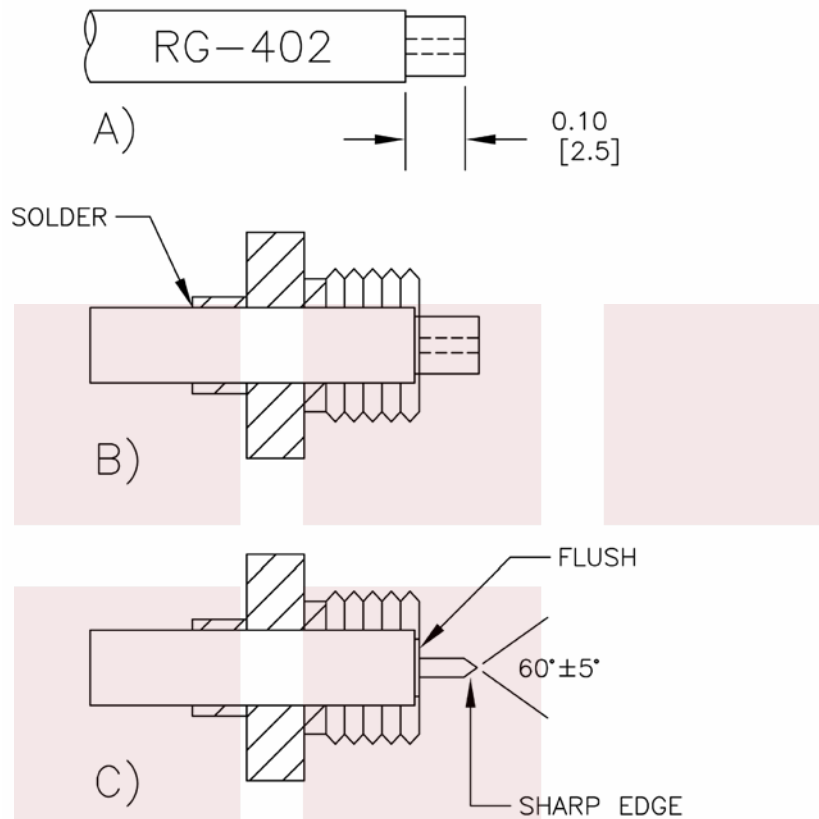
MIL-STD-202, METHOD 107, CONDITION B

Compliance Certifications (see [product page](#) for current document)

Plotted and Other Data

Notes:

Assembly Instruction



ASSEMBLY PROCEDURES

1. STRIP CALBE AS SHOWN IN (A). DO NOT NICK CENTER DIELECTRIC.
2. INSERT CABLE THROUGH CLAMP NUT AS SHOWN IN (B). SOLDER OUTER CONDUCTOR TO CLAMP NUT.
3. TRIM DIELECTRIC AND POINT CENTER CONDUCTOR AS SHOWN IN (C).
4. INSERT CABLE SUB-ASSEMBLY INTO CONNECTOR UNTIL SEATED AND TORQUE TO 25-30 IN-LBS.

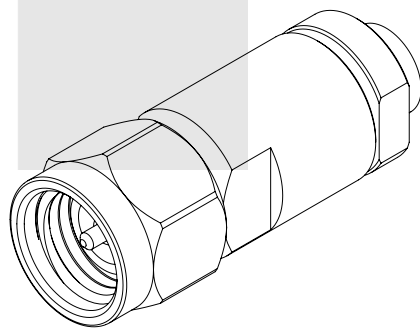
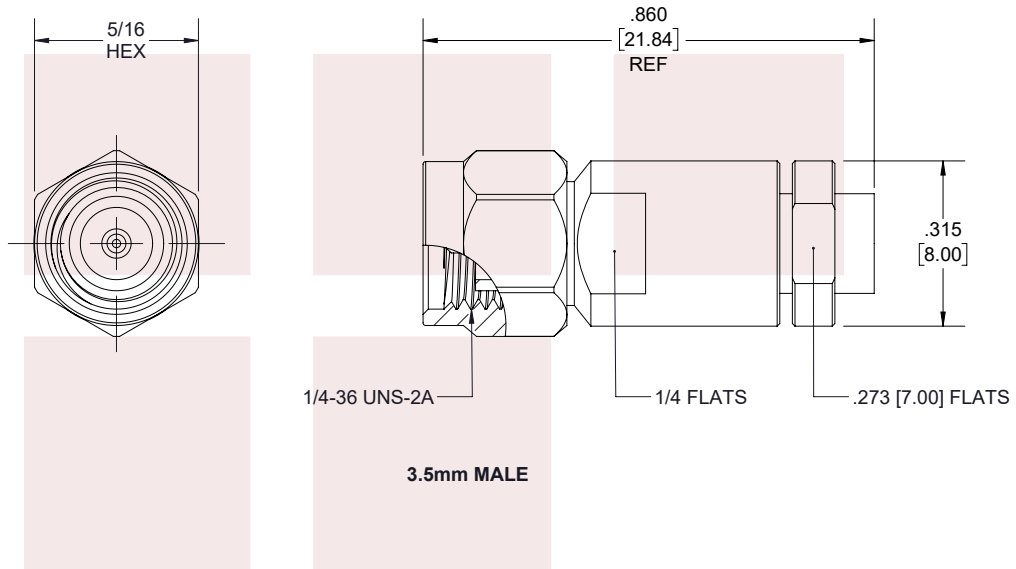
3.5mm Male Connector Clamp/Solder Attachment for RG402, RG402 Tinned, .141 SR Cable from Fairview Microwave is in-stock and available to ship same-day. All of our RF/microwave products are available off-the-shelf from our ISO 9001:2008 certified facilities in Allen, Texas. Fairview Microwave is RF on-demand.

For additional information on this product, please click the following link: [3.5mm Male Connector Clamp/Solder Attachment for RG402, RG402 Tinned, .141 SR Cable FMCN1424](#)

URL: <https://www.fairviewmicrowave.com/3.5mm-male-rg402-rg402-tinned-.141-sr-connector-fmcn1424-p.aspx>

The information contained in this document is accurate to the best of our knowledge and representative of the part described herein. It may be necessary to make modifications to the part and/or the documentation of the part, in order to implement improvements. Fairview Microwave reserves the right to make such changes as required. Unless otherwise stated, all specifications are nominal. Fairview Microwave does not make any representation or warranty regarding the suitability of the part described herein for any particular purpose, and Fairview Microwave does not assume any liability arising out of the use of any part or documentation.





STANDARD TOLERANCES	
.X	±0.2
.XX	±0.01
.XXX	±0.005

*STANDARD TOLERANCES APPLY ONLY TO DIMENSIONS IN INCHES

<p>Fairview Microwave an INFINIT[®] brand</p>		<p>NOTES: 1. UNLESS OTHERWISE SPECIFIED ALL DIMENSIONS ARE NOMINAL. 2. ALL SPECIFICATIONS ARE SUBJECT TO CHANGE WITHOUT NOTICE AT ANY TIME. 3. DIMENSIONS ARE IN INCHES [mm].</p>						
<p>TITLE 3.5mm Male Connector Clamp/Solder Attachment for RG402, RG402 Tinned, .141 SR Cable</p>		<p>DWG NO FMCN1424</p>		<p>CAGE CODE 3FKR5</p>				
CAD FILE	05/13/19	SHEET	1 OF 2	SCALE	N/A	SIZE	A	7361