

SMA Male Connector Solder Attachment for RG405 Cable

SMA male connector with solder attachment for RG405, part number FMCN1503, from Fairview Microwave is in-stock and ships same day.

Fairview's SMA male connector FMCN1503 datasheet specifications and outline drawing are shown in this PDF below. Our extensive offering of RF, microwave and millimeter wave connectors allows designers to configure and customize their signal connections however they like. From providing an I/O for a board design to creating a custom cable assembly configuration, Fairview Microwave has a connector solution to meet your needs. Fairview Microwave also has the expertise to build your custom cable assemblies for you and ship them same-day.

Electrical Specifications

| Description | Min | Typ | Max | Units |
|------------------------|-------|-----|--------|-------|
| VSWR | | | 1.14:1 | |
| DWV (AC) | | | 1,000 | Vrms |
| High Potential Voltage | | | 670 | Vrms |
| Corona Discharge | | | 250 | Vrms |
| Insulation Resistance | 5,000 | | | MOhms |
| RF Leakage | -90 | | | dB |

Performance by Frequency

| Description | F1 | F2 | F3 | F4 | F5 | Units |
|-------------|----------|------------|----|----|----|-------|
| Freq. Range | DC to 18 | 18 to 16.5 | | | | GHz |
| VSWR, Max | 1.11:1 | 1.14:1 | | | | |

Electrical Specification Notes:
 Insertion Loss = $0.04 * \text{SQRT}(F_{\text{ghz}})$ dB

Mechanical Specifications

| | |
|---------------|----------------------------------|
| Weight | 0.008 lbs [3.63 g] |
| Mating Cycles | 500 Cycles |
| Mating Torque | 7 to 10 in-lbs [0.79 to 1.13 Nm] |

Material Specifications

| Description | Material | Plating |
|--------------|------------------|-------------------|
| Contact | Beryllium Copper | Gold ASTM-B488 |
| Insulation | PTFE | |
| Body | Beryllium Copper | Gold ASTM-B488 |
| Coupling Nut | Steel | |
| Gasket | Silicone Rubber | |



Configuration:

- SMA Male Connector
- 50 Ohms
- Straight Body Geometry
- RG405 Interface Type
- Solder Attachment

Features:

- Excellent VSWR of 1.14:1
- Gold Plated Beryllium Copper Contact
- Contact plating according to ASTM-B488

Applications:

- General Purpose Test
- Custom Cable Assemblies

Fairview Microwave
 301 Leora Ln., Suite 100
 Lewisville, TX 75056
 Tel: 1-800-715-4396 / (972) 649-6678
 Fax: (972) 649-6689
www.fairviewmicrowave.com
sales@fairviewmicrowave.com

Environmental Specifications

Temperature

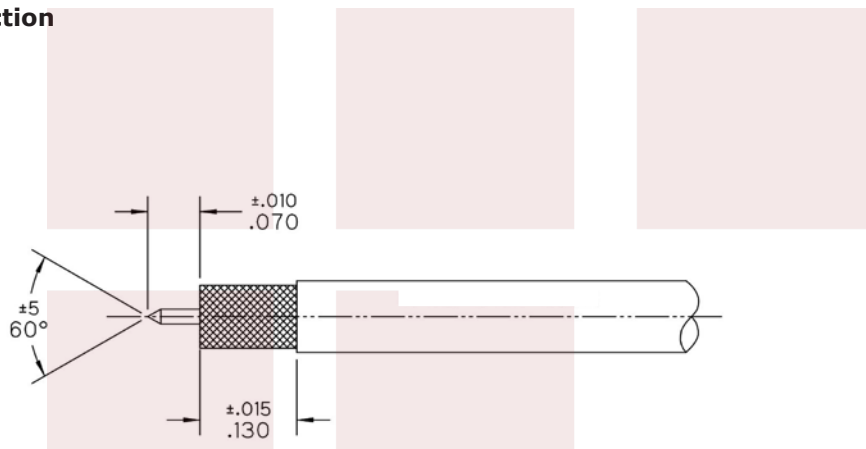
| | |
|-----------------|--------------------------------------|
| Operating Range | -65 to +165 deg C |
| Shock | MIL-STD-202, Method 213, Condition I |
| Vibration | MIL-STD-202, Method 204, Condition D |
| Thermal Shock | MIL-STD-202, Method 107, Condition B |

Compliance Certifications (see [product page](#) for current document)

Plotted and Other Data

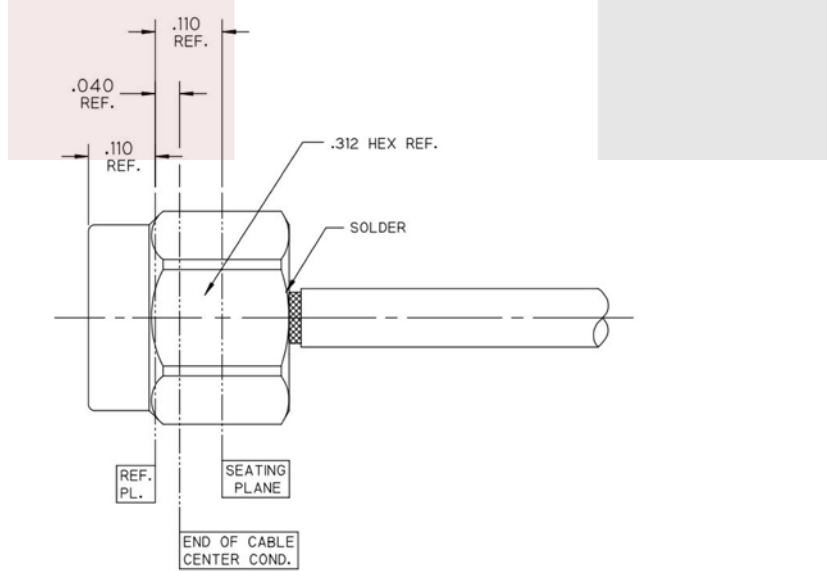
Notes:

Assembly Instruction



STEP 1:
 • TRIM CABLE TO EXPOSE CENTER CONDUCTOR AND BRAID AS SHOWN.

STEP 2:
 • INSERT CABLE INTO CONNECTOR UNTIL CENTER CONDUCTOR PLUGS IN AND CABLE FULLY SEATS IN CONNECTOR BORE.
 • SOLDER BRAID TO BODY WHERE SHOWN APPLYING HEAT TO SHORT BODY TAIL SHOULDER INSIDE COUPLING NUT.



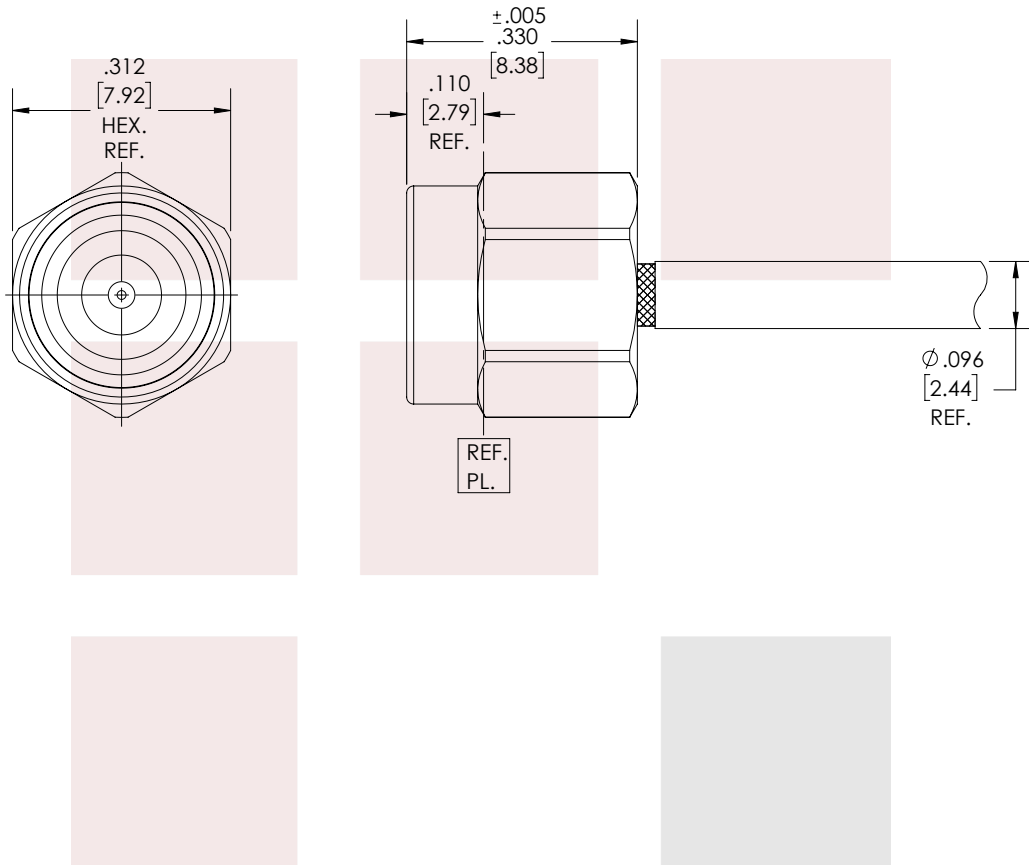
SMA Male Connector Solder Attachment for RG405 Cable from Fairview Microwave is in-stock and available to ship same-day. All of our RF/microwave products are available off-the-shelf from our ISO 9001:2008 certified facilities in Allen, Texas. Fairview Microwave is RF on-demand.

For additional information on this product, please click the following link: [SMA Male Connector Solder Attachment for RG405 Cable FMCN1503](#)

URL: <https://www.fairviewmicrowave.com/sma-male-rg405-connector-fmcn1503-p.aspx>

The information contained in this document is accurate to the best of our knowledge and representative of the part described herein. It may be necessary to make modifications to the part and/or the documentation of the part, in order to implement improvements. Fairview Microwave reserves the right to make such changes as required. Unless otherwise stated, all specifications are nominal. Fairview Microwave does not make any representation or warranty regarding the suitability of the part described herein for any particular purpose, and Fairview Microwave does not assume any liability arising out of the use of any part or documentation.





| STANDARD TOLERANCES | |
|---------------------|--------|
| .X | ±0.2 |
| .XX | ±0.01 |
| .XXX | ±0.005 |

NOTES: DISTANCE FROM END OF CABLE
CENTER COND. TO REF. PL. IS .040

*STANDARD TOLERANCES APPLY
ONLY TO DIMENSIONS IN INCHES

| | | | | | | | | |
|---|---|----------|-------|--------------------|-------|--------------------|------|---|
|  | NOTES: 1. UNLESS OTHERWISE SPECIFIED ALL DIMENSIONS ARE NOMINAL. 2. ALL SPECIFICATIONS ARE SUBJECT TO CHANGE WITHOUT NOTICE AT ANY TIME. 3. DIMENSIONS ARE IN INCHES [mm]. | | | | | | | |
| | TITLE SMA Male Connector Solder Attachment for RG405 Cable | | | DWG NO FMCN1503 | | CAGE CODE 3FKR5 | | |
| | CAD FILE | 01/11/19 | SHEET | 1 OF 1 | SCALE | N/A | SIZE | A |