

75 Ohm SMC Plug (Male) Connector for RG180, RG195 Cable, Crimp/Solder

75 Ohm SMC plug connector with crimp/solder attachment for RG180 and RG195, part number FMCN1549, from Fairview Microwave is in-stock and ships same day. This SMC plug connector operates up to a maximum frequency of 2 GHz.

Fairview's 75 ohm SMC plug connector FMCN1549 datasheet specifications and outline drawing are shown in this PDF below. Our extensive offering of RF, microwave and millimeter wave connectors allows designers to configure and customize their signal connections however they like. From providing an I/O for a board design to creating a custom cable assembly configuration, Fairview Microwave has a connector solution to meet your needs. Fairview Microwave also has the expertise to build your custom cable assemblies for you and ship them same-day.

Electrical Specifications

Description	Min	Typ	Max	Units
Frequency Range	DC		2	GHz
Operating Voltage (AC)			335	Vrms
DWV (AC)			750	Vrms
Insulation Resistance	1,000			MOhms

Mechanical Specifications

Size	
Length	0.87 in [22.1 mm]
Width/Dia.	0.375 in [9.53 mm]
Weight	0.012 lbs [5.44 g]
Mating Torque	3 to 5 in-lbs [0.34 to 0.57 Nm]

Material Specifications

Description	Material	Plating
Contact		Gold MIL-G-45204
Insulation	PTFE	
Body	Brass	Nickel QQ-N-290

Environmental Specifications

Temperature

Operating Range -65 to +165 deg C

Compliance Certifications (see [product page](#) for current document)

Plotted and Other Data

Notes:



Configuration:

- SMC Plug Connector
- MIL-STD-348
- 75 Ohms
- Straight Body Geometry
- RG180, RG195 Interface Type
- Crimp/Solder Attachment
- 3/8 inch Hex

Features:

- Operating Frequency of 2 GHz Max.
- Gold Plated Contact
- Contact plating according to MIL-G-45204

Applications:

- General Purpose Test
- Custom Cable Assemblies

Fairview Microwave
301 Leora Ln., Suite 100
Lewisville, TX 75056
Tel: 1-800-715-4396 / (972) 649-6678
Fax: (972) 649-6689
www.fairviewmicrowave.com
sales@fairviewmicrowave.com

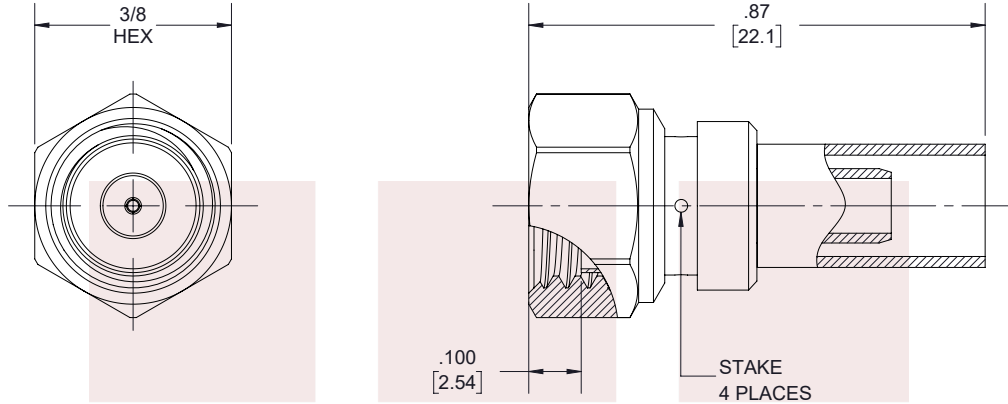
75 Ohm SMC Plug (Male) Connector for RG180, RG195 Cable, Crimp/Solder from Fairview Microwave is in-stock and available to ship same-day. All of our RF/microwave products are available off-the-shelf from our ISO 9001:2008 certified facilities in Lewisville, Texas. Fairview Microwave is RF on-demand.

For additional information on this product, please click the following link: [75 Ohm SMC Plug \(Male\) Connector for RG180, RG195 Cable, Crimp/Solder FMCN1549](#)

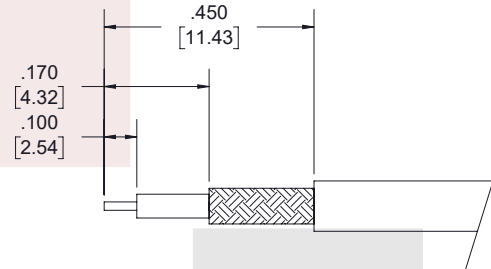
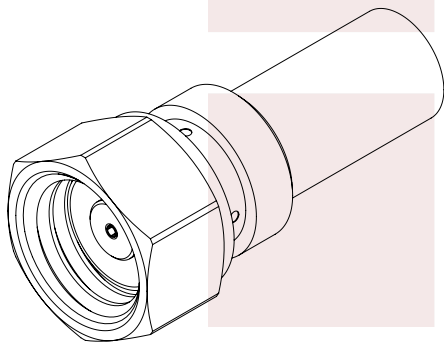
URL: <https://www.fairviewmicrowave.com/smc-plug-rg180-rg195-connector-fmcn1549-p.aspx>

The information contained in this document is accurate to the best of our knowledge and representative of the part described herein. It may be necessary to make modifications to the part and/or the documentation of the part, in order to implement improvements. Fairview Microwave reserves the right to make such changes as required. Unless otherwise stated, all specifications are nominal. Fairview Microwave does not make any representation or warranty regarding the suitability of the part described herein for any particular purpose, and Fairview Microwave does not assume any liability arising out of the use of any part or documentation.





**75 Ω
SMC PLUG**



STRIPPING DIMENSIONS

NOTES:

1. CABLE ATTACHMENT:
 - OUTER: CRIMP.
 - INNER: SOLDER.
2. CRIMP SIZE REQUIRED:
 - FERRULE: .178 [4.52] HEX. CRIMP TOOL.
 - CONTACT: SOLDER.

STANDARD TOLERANCES

- .X ±0.2
- .XX ±0.01
- .XXX ±0.005

NOTES:

1. INSULATOR MUST WITHSTAND 6 LBS. PUSH WITHOUT MOVING.

*STANDARD TOLERANCES APPLY ONLY TO DIMENSIONS IN INCHES

NOTES:
1. UNLESS OTHERWISE SPECIFIED ALL DIMENSIONS ARE NOMINAL.
2. ALL SPECIFICATIONS ARE SUBJECT TO CHANGE WITHOUT NOTICE AT ANY TIME.
3. DIMENSIONS ARE IN INCHES [mm].

TITLE
75 Ohm SMC Plug (Male) Connector for RG180,
RG195 Cable, Crimp/Solder

DWG NO FMCN1549		CAGE CODE 3FKR5			
CAD FILE	06/07/19	SHEET	1 OF 1	SCALE	N/A
				SIZE	A
					7361