

## 75 Ohm SMC Jack Bulkhead Connector Crimp/Solder Attachment for RG179, RG187 Cable , .285 inch D Hole

75 Ohm SMC jack bulkhead connector with crimp/solder attachment for RG179 and RG187 (.285 inch D hole), part number FMCN1560, from Fairview Microwave is in-stock and ships same day. This SMC jack connector operates up to a maximum frequency of 2 GHz. Fairview's FMCN1560 bulkhead SMC connector enables designers to make external connections on product enclosures, and can be used in a variety of other rack mount and panel mount applications.

Fairview's 75 ohm SMC jack bulkhead connector FMCN1560 datasheet specifications and outline drawing are shown in this PDF below. Our extensive offering of RF, microwave and millimeter wave connectors allows designers to configure and customize their signal connections however they like. From providing an I/O for a board design to creating a custom cable assembly configuration, Fairview Microwave has a connector solution to meet your needs. Fairview Microwave also has the expertise to build your custom cable assemblies for you and ship them same-day.

### Electrical Specifications

Description	Min	Typ	Max	Units
Frequency Range	DC		2	GHz
Operating Voltage (AC)			335	Vrms
DWV (AC)			750	Vrms
Insulation Resistance	1,000			MOhms

### Mechanical Specifications

<b>Size</b>	
Length	0.953 in [24.21 mm]
Width/Dia.	0.375 in [9.53 mm]

### Material Specifications

Description	Material	Plating
Contact		Gold MIL-G-45204
Insulation	PTFE	
Body	Brass	Nickel QQ-N-290

### Environmental Specifications

<b>Temperature</b>	
Operating Range	-65 to +165 deg C

**Compliance Certifications** (see [product page](#) for current document)

### Plotted and Other Data

Notes:



### Configuration:

- SMC Jack Connector
- MIL-STD-348
- 75 Ohms
- Straight Body Geometry
- RG179, RG187 Interface Type
- Crimp/Solder Attachment
- Bulkhead

### Features:

- Operating Frequency of 2 GHz Max.
- Gold Plated Contact
- Contact plating according to MIL-G-45204

### Applications:

- General Purpose Test
- Rack and Panel Mount Applications
- Custom Cable Assemblies

Fairview Microwave  
301 Leora Ln., Suite 100  
Lewisville, TX 75056  
Tel: 1-800-715-4396 / (972) 649-6678  
Fax: (972) 649-6689  
[www.fairviewmicrowave.com](http://www.fairviewmicrowave.com)  
[sales@fairviewmicrowave.com](mailto:sales@fairviewmicrowave.com)

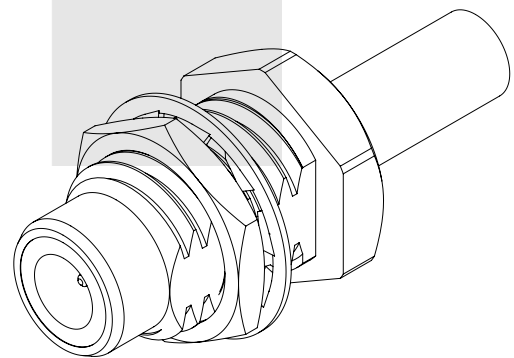
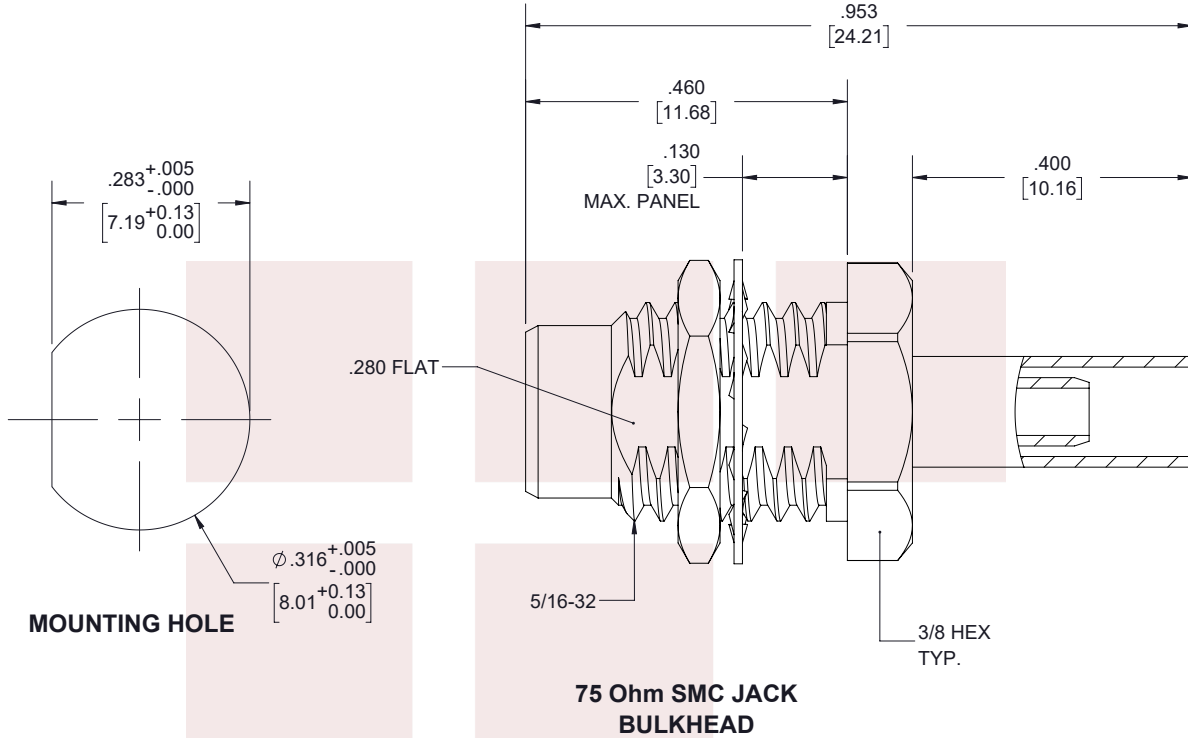
75 Ohm SMC Jack Bulkhead Connector Crimp/Solder Attachment for RG179, RG187 Cable , .285 inch D Hole from Fairview Microwave is in-stock and available to ship same-day. All of our RF/microwave products are available off-the-shelf from our ISO 9001:2008 certified facilities in Allen, Texas. Fairview Microwave is RF on-demand.

For additional information on this product, please click the following link: [75 Ohm SMC Jack Bulkhead Connector Crimp/Solder Attachment for RG179, RG187 Cable , .285 inch D Hole FMCN1560](#)

URL: <https://www.fairviewmicrowave.com/smc-jack-rg179-rg187-connector-fmcn1560-p.aspx>

The information contained in this document is accurate to the best of our knowledge and representative of the part described herein. It may be necessary to make modifications to the part and/or the documentation of the part, in order to implement improvements. Fairview Microwave reserves the right to make such changes as required. Unless otherwise stated, all specifications are nominal. Fairview Microwave does not make any representation or warranty regarding the suitability of the part described herein for any particular purpose, and Fairview Microwave does not assume any liability arising out of the use of any part or documentation.





**STANDARD TOLERANCES**

.X ±0.2  
.XX ±0.01  
.XXX ±0.005

\*STANDARD TOLERANCES APPLY ONLY TO DIMENSIONS IN INCHES

NOTES:  
1. UNLESS OTHERWISE SPECIFIED ALL DIMENSIONS ARE NOMINAL.  
2. ALL SPECIFICATIONS ARE SUBJECT TO CHANGE WITHOUT NOTICE AT ANY TIME.  
3. DIMENSIONS ARE IN INCHES [mm].

TITLE 75 Ohm SMC Jack Bulkhead Connector Crimp/Solder Attachment for RG179, RG187 Cable , .285 inch D Hole	DWG NO <b>FMCN1560</b>		CAGE CODE <b>3FKR5</b>			
	CAD FILE 06/12/19	SHEET 1 OF 1	SCALE N/A	SIZE A	7361	