

HN Female Connector Solder Cup Terminal Solder Attachment 4 Hole Flange , .906 inch Hole Spacing

HN female 4 hole flange mount connector with solder cup terminal (.906 inch hole spacing), part number FMCN1582, from Fairview Microwave is in-stock and ships same day. This HN female connector operates up to a maximum frequency of 2 GHz. Fairview's FMCN1582 4 hole flange HN connector enables designers to make external connections on product enclosures, and can be used in a variety of other rack mount and panel mount applications.

Fairview's HN female 4 hole flange connector FMCN1582 datasheet specifications and outline drawing are shown in this PDF below. Our extensive offering of RF, microwave and millimeter wave connectors allows designers to configure and customize their signal connections however they like. From providing an I/O for a board design to creating a custom cable assembly configuration, Fairview Microwave has a connector solution to meet your needs. Fairview Microwave also has the expertise to build your custom cable assemblies for you and ship them same-day.

Electrical Specifications

Description	Min	Typ	Max	Units
Frequency Range	DC		2	GHz
Operating Voltage (AC)			1,900	Vrms
Insulation Resistance	5,000			MOhms

Mechanical Specifications

Size	
Length	1.55 in [39.37 mm]
Width/Dia.	1.19 in [30.23 mm]
Height	1.19 in [30.23 mm]
Weight	0.085 lbs [38.56 g]

Material Specifications

Description	Material	Plating
Contact	Brass	Gold
Insulation	PTFE	
Body	Brass	Nickel

Environmental Specifications

Temperature	
Operating Range	-65 to +165 deg C

Compliance Certifications (see [product page](#) for current document)

Plotted and Other Data

Notes:



Configuration:

- HN Female Connector
- MIL-STD-348A
- 50 Ohms
- Straight Body Geometry
- Solder Cup Interface Type
- Solder Attachment
- 4 Hole Flange

Features:

- Operating Frequency of 2 GHz Max.
- Gold Plated Brass Contact

Applications:

- General Purpose Test
- Rack and Panel Mount Applications

Fairview Microwave
301 Leora Ln., Suite 100
Lewisville, TX 75056
Tel: 1-800-715-4396 / (972) 649-6678
Fax: (972) 649-6689
www.fairviewmicrowave.com
sales@fairviewmicrowave.com

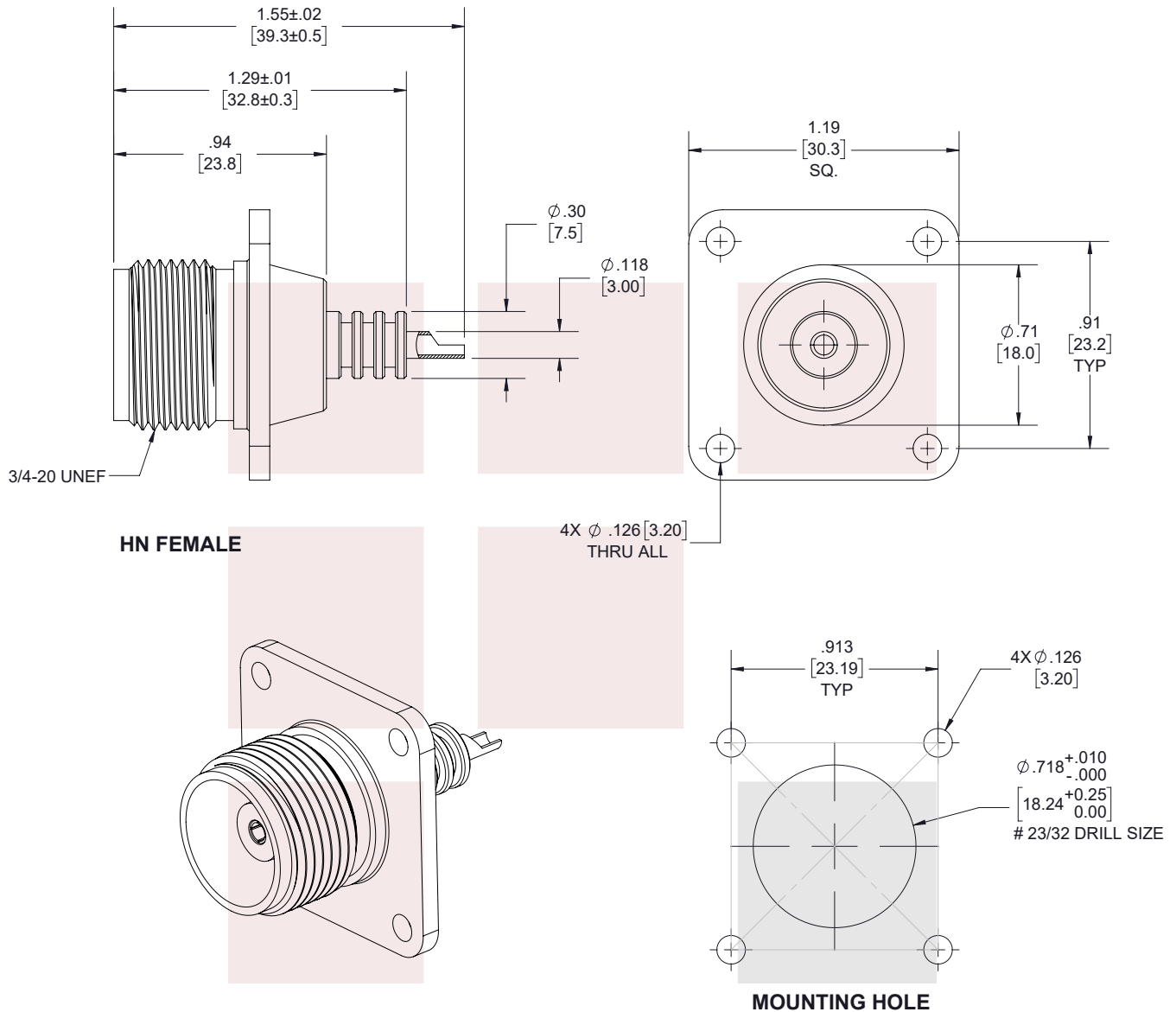
HN Female Connector Solder Cup Terminal Solder Attachment 4 Hole Flange , .906 inch Hole Spacing from Fairview Microwave is in-stock and available to ship same-day. All of our RF/microwave products are available off-the-shelf from our ISO 9001:2008 certified facilities in Allen, Texas. Fairview Microwave is RF on-demand.

For additional information on this product, please click the following link: [HN Female Connector Solder Cup Terminal Solder Attachment 4 Hole Flange , .906 inch Hole Spacing FMCN1582](#)

URL: <https://www.fairviewmicrowave.com/hn-female-solder-cup-terminal-connector-fmcn1582-p.aspx>

The information contained in this document is accurate to the best of our knowledge and representative of the part described herein. It may be necessary to make modifications to the part and/or the documentation of the part, in order to implement improvements. Fairview Microwave reserves the right to make such changes as required. Unless otherwise stated, all specifications are nominal. Fairview Microwave does not make any representation or warranty regarding the suitability of the part described herein for any particular purpose, and Fairview Microwave does not assume any liability arising out of the use of any part or documentation.





STANDARD TOLERANCES

.X ±0.2
.XX ±0.01
.XXX ±0.005

*STANDARD TOLERANCES APPLY ONLY TO DIMENSIONS IN INCHES

NOTES:
1. UNLESS OTHERWISE SPECIFIED ALL DIMENSIONS ARE NOMINAL.
2. ALL SPECIFICATIONS ARE SUBJECT TO CHANGE WITHOUT NOTICE AT ANY TIME.
3. DIMENSIONS ARE IN INCHES [mm].

TITLE HN Female Connector Solder Cup Terminal Solder Attachment 4 Hole Flange , .906 inch Hole Spacing	DWG NO FMCN1582		CAGE CODE 3FKR5			
	CAD FILE 08/02/19	SHEET 1 OF 1	SCALE N/A	SIZE A	7361	