

## 7/16 DIN Female Bulkhead Connector Crimp/Solder Attachment for 0.195 inch, 1.161 inch DD Hole

7/16 DIN female bulkhead connector with crimp/solder attachment for .195 inch, RG58, RG141, RG303, LMR-195 and LMR-195-FR (1.161 inch DD hole), part number FMCN1832, from Fairview Microwave is in-stock and ships same day. Fairview's FMCN1832 bulkhead 7/16 DIN connector enables designers to make external connections on product enclosures, and can be used in a variety of other rack mount and panel mount applications.

Fairview's 7/16 DIN female bulkhead connector FMCN1832 datasheet specifications and outline drawing are shown in this PDF below. Our extensive offering of RF, microwave and millimeter wave connectors allows designers to configure and customize their signal connections however they like. From providing an I/O for a board design to creating a custom cable assembly configuration, Fairview Microwave has a connector solution to meet your needs. Fairview Microwave also has the expertise to build your custom cable assemblies for you and ship them same-day.

### Mechanical Specifications

<b>Size</b>	
Length	2.08 in [52.83 mm]
Width/Dia.	1.2 in [30.48 mm]
Height	0.5 in [12.7 mm]
Weight	0.288 lbs [130.63 g]

### Material Specifications

Description	Material	Plating
Contact	Beryllium Copper	Silver
Insulation	PTFE	
Body	Brass	Tri-Metal

**Compliance Certifications** (see [product page](#) for current document)

### Plotted and Other Data

Notes:



### Configuration:

- 7/16 DIN Female Connector
- 50 Ohms
- Straight Body Geometry
- .195 inch, RG58, RG141, RG303, LMR-195, LMR-195-FR Interface Type
- Crimp/Solder Attachment
- Bulkhead

### Features:

- Silver Plated Beryllium Copper Contact

### Applications:

- General Purpose Test
- Rack and Panel Mount Applications
- Custom Cable Assemblies

Fairview Microwave  
301 Leora Ln., Suite 100  
Lewisville, TX 75056  
Tel: 1-800-715-4396 / (972) 649-6678  
Fax: (972) 649-6689  
[www.fairviewmicrowave.com](http://www.fairviewmicrowave.com)  
[sales@fairviewmicrowave.com](mailto:sales@fairviewmicrowave.com)

7/16 DIN Female Bulkhead Connector Crimp/Solder Attachment for 0.195 inch, 1.161 inch DD Hole from Fairview Microwave is in-stock and available to ship same-day. All of our RF/microwave products are available off-the-shelf from our ISO 9001:2008 certified facilities in Lewisville, Texas. Fairview Microwave is RF on-demand.

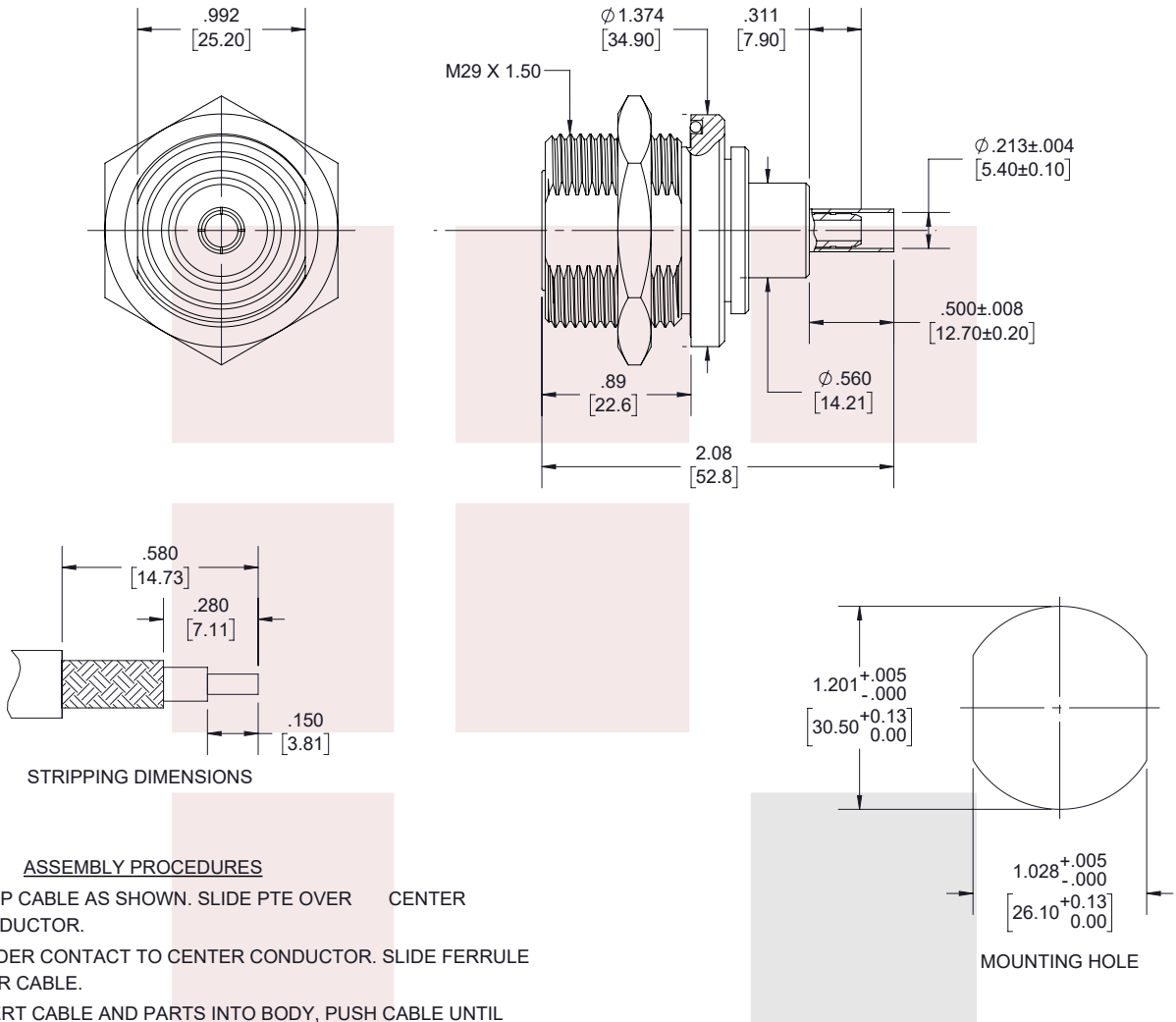
For additional information on this product, please click the following link: [7/16 DIN Female Bulkhead Connector Crimp/Solder Attachment for 0.195 inch, 1.161 inch DD Hole FMCN1832](#)

URL: <https://www.fairviewmicrowave.com/7-16-din-female-.195-rg58-rg141-rg303-lmr-195-lmr-195-fr-connector-fmcn1832-p.aspx>

The information contained in this document is accurate to the best of our knowledge and representative of the part described herein. It may be necessary to make modifications to the part and/or the documentation of the part, in order to implement improvements. Fairview Microwave reserves the right to make such changes as required. Unless otherwise stated, all specifications are nominal. Fairview Microwave does not make any representation or warranty regarding the suitability of the part described herein for any particular purpose, and Fairview Microwave does not assume any liability arising out of the use of any part or documentation.



REVISIONS			
REV.	DESCRIPTION	DATE	APPROVED
A	INITIAL RELEASE	02/11/2022	A.GANWANI



### ASSEMBLY PROCEDURES

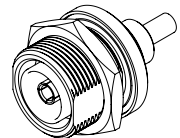
1. STRIP CABLE AS SHOWN. SLIDE PTE OVER CENTER CONDUCTOR.
2. SOLDER CONTACT TO CENTER CONDUCTOR. SLIDE FERRULE OVER CABLE.
3. INSERT CABLE AND PARTS INTO BODY, PUSH CABLE UNTIL CONTACT SEATS IN PLACE.
4. SLIDE FERRULE OVER BRAID AND UP AGAINST BODY. CRIMP FERRULE.

### CRIMP SIZE REQUIRED

CONTACT: SOLDER.

FERRULE: .213" [5.41] HEX CRIMP TOOL.

THESE COMMODITIES, TECHNOLOGY OR SOFTWARE WERE EXPORTED FROM THE UNITED STATES IN ACCORDANCE WITH THE EXPORT ADMINISTRATION REGULATIONS. DIVERSION CONTRARY TO U.S. LAW PROHIBITED.



TITLE

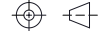
7/16 DIN Female Bulkhead Connector Crimp/Solder Attachment for 0.195 inch, 1.161 inch DD Hole

UNLESS OTHERWISE SPECIFIED LEADING DIMENSIONS ARE INCHES  
DIMENSIONS IN [ ] ARE MILLIMETERS

TOLERANCES: CABLE LENGTH (L) TOLERANCES:

.X = ±.2 [5.08]	FRACTIONS ± 1/32	L ≤ 12 [305] = +1 [25] / -0
.XX = ±.02 [51]	ANGLES ± 1°	12 [305] < L ≤ 60 [1524] = +2 [51] / -0
.XXX = ±.005 [13]		60 [1524] < L ≤ 120 [3048] = +4 [102] / -0
		120 [3048] < L ≤ 300 [7620] = +6 [152] / -0
		300 [7620] < L = +5% / -0

THIRD-ANGLE PROJECTION



THE INFORMATION AND DESIGN IN THIS DOCUMENT IS THE PROPERTY OF FAIRVIEW MICROWAVE CORPORATION. ALL RIGHTS RESERVED.

SHEET 1 OF 1

ALL DIMENSIONS SHOWN ARE FOR REFERENCE ONLY.

SCALE N/A

SIZE A	CAGE CODE 3FKR5	DRAWN BY K.GLEBOVA	ITEM NO. FMCN1832	REV A
-----------	--------------------	-----------------------	----------------------	----------

T-Rev.D