

7/16 DIN Female Bulkhead Mount Connector Crimp/ Solder Attachment for LMR-600, LMR-600-DB, 0.600 inch, 1.161 inch DD Hole

7/16 DIN female bulkhead connector with crimp/solder attachment for LMR-600, LMR-600-DB and .600 inch (1.161 inch DD hole), part number FMCN1836, from Fairview Microwave is in-stock and ships same day. This 7/16 DIN female connector operates up to a maximum frequency of 7.5 GHz. Fairview's FMCN1836 bulkhead 7/16 DIN connector enables designers to make external connections on product enclosures, and can be used in a variety of other rack mount and panel mount applications.

Fairview's 7/16 DIN female bulkhead connector FMCN1836 datasheet specifications and outline drawing are shown in this PDF below. Our extensive offering of RF, microwave and millimeter wave connectors allows designers to configure and customize their signal connections however they like. From providing an I/O for a board design to creating a custom cable assembly configuration, Fairview Microwave has a connector solution to meet your needs. Fairview Microwave also has the expertise to build your custom cable assemblies for you and ship them same-day.

Electrical Specifications

Description	Min	Typ	Max	Units
Frequency Range	DC		7.5	GHz

Mechanical Specifications

Size	
Length	2.07 in [52.58 mm]
Width/Dia.	1.54 in [39.12 mm]
Height	0.5 in [12.7 mm]
Weight	0.351 lbs [159.21 g]

Material Specifications

Description	Material	Plating
Contact	Brass	Silver
Insulation	PTFE	
Body	Brass	Tri-Metal

Environmental Specifications

Temperature	
Operating Range	-65 to +165 deg C

Compliance Certifications (see [product page](#) for current document)

Plotted and Other Data

Notes:



Configuration:

- 7/16 DIN Female Connector
- 50 Ohms
- Straight Body Geometry
- LMR-600, LMR-600-DB, .600 inch Interface Type
- Crimp/Solder Attachment
- Bulkhead

Features:

- Operating Frequency of 7.5 GHz Max.
- Silver Plated Brass Contact

Applications:

- General Purpose Test
- Rack and Panel Mount Applications
- Custom Cable Assemblies

Fairview Microwave
301 Leora Ln., Suite 100
Lewisville, TX 75056
Tel: 1-800-715-4396 / (972) 649-6678
Fax: (972) 649-6689
www.fairviewmicrowave.com
sales@fairviewmicrowave.com

7/16 DIN Female Bulkhead Mount Connector Crimp/Solder Attachment for LMR-600, LMR-600-DB, 0.600 inch, 1.161 inch DD Hole from Fairview Microwave is in-stock and available to ship same-day. All of our RF/microwave products are available off-the-shelf from our ISO 9001:2008 certified facilities in Lewisville, Texas. Fairview Microwave is RF on-demand.

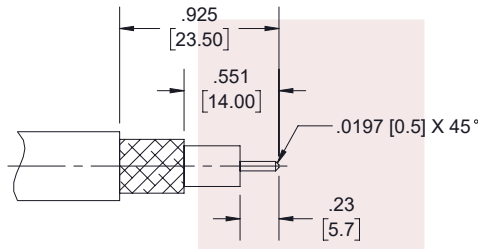
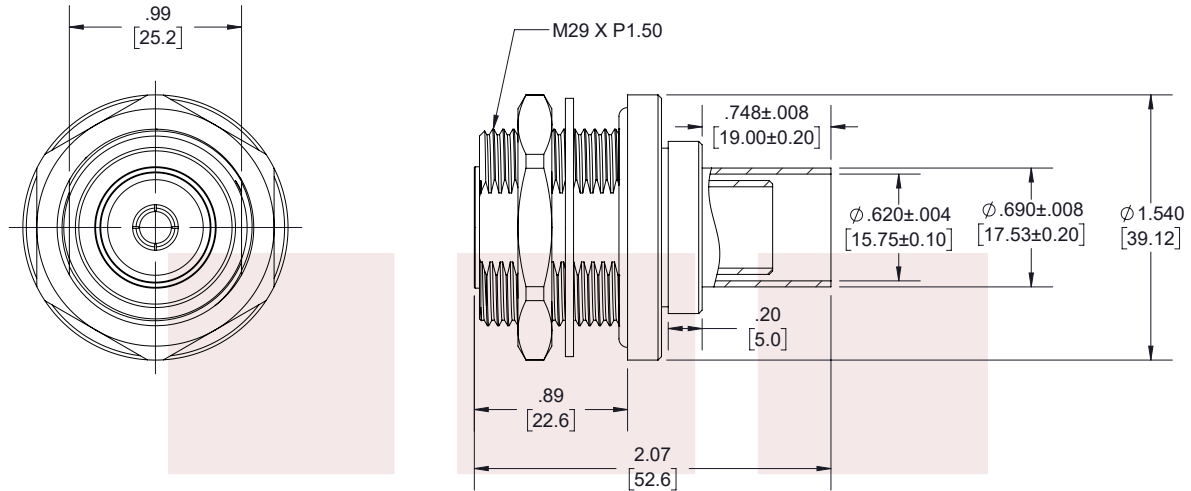
For additional information on this product, please click the following link: [7/16 DIN Female Bulkhead Mount Connector Crimp/Solder Attachment for LMR-600, LMR-600-DB, 0.600 inch, 1.161 inch DD Hole FMCN1836](#)

URL: <https://www.fairviewmicrowave.com/7-16-din-female-lmr-600-lmr-600-db-.600-connector-fmcn1836-p.aspx>

The information contained in this document is accurate to the best of our knowledge and representative of the part described herein. It may be necessary to make modifications to the part and/or the documentation of the part, in order to implement improvements. Fairview Microwave reserves the right to make such changes as required. Unless otherwise stated, all specifications are nominal. Fairview Microwave does not make any representation or warranty regarding the suitability of the part described herein for any particular purpose, and Fairview Microwave does not assume any liability arising out of the use of any part or documentation.



REVISIONS			
REV.	DESCRIPTION	DATE	APPROVED
A	INITIAL RELEASE	02/11/2022	A.GANWANI



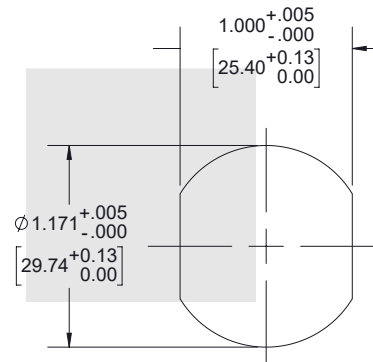
STRIPPING DIMENSIONS

ASSEMBLY PROCEDURES:

1. STRIP CABLE AS SHOWN & CHAMFER CENTER CONDUCTOR.
2. SLIDE FERRULE OVER CABLE. INSTALL CABLE INTO BODY OF CONNECTOR, PUSH UNTIL IT SEATS IN PLACE.
3. SLIDE FERRULE FORWARD AND BUTT AGAINST CONNECTOR SHOULDER, THEN CRIMP FERRULE.

CRIMP SIZE REQUIRED:

FERRULE: .610" [15.5] HEX. CRIMP TOOL.



MOUNTING HOLE

THESE COMMODITIES, TECHNOLOGY OR SOFTWARE WERE EXPORTED FROM THE UNITED STATES IN ACCORDANCE WITH THE EXPORT ADMINISTRATION REGULATIONS. DIVERSION CONTRARY TO U.S. LAW PROHIBITED.

TITLE

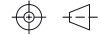
7/16 DIN Female Bulkhead Mount Connector Crimp/
Solder Attachment for LMR-600, LMR-600-DB, 0.600
inch, 1.161 inch DD Hole

UNLESS OTHERWISE SPECIFIED LEADING DIMENSIONS ARE INCHES
DIMENSIONS IN [] ARE MILLIMETERS

TOLERANCES: CABLE LENGTH (L) TOLERANCES:

.X = ±.2 [5.08]	FRACTIONS ± 1/32	L ≤ 12 [305] = +1 [25] / -0
.XX = ±.02 [.51]	ANGLES ± 1°	12 [305] < L ≤ 60 [1524] = +2 [51] / -0
.XXX = ±.005 [.13]		60 [1524] < L ≤ 120 [3048] = +4 [102] / -0
		120 [3048] < L ≤ 300 [7620] = +6 [152] / -0
		300 [7620] < L = +5%L / -0

THIRD-ANGLE PROJECTION



THE INFORMATION AND DESIGN IN THIS DOCUMENT IS THE PROPERTY OF FAIRVIEW MICROWAVE CORPORATION. ALL RIGHTS RESERVED.

SHEET 1 OF 1

ALL DIMENSIONS SHOWN ARE FOR REFERENCE ONLY.

SCALE

N/A

SIZE A	CAGE CODE 3FKR5	DRAWN BY K.GLEBOVA	ITEM NO. FMCN1836	REV A
-----------	--------------------	-----------------------	----------------------	----------

T-Rev.D