

## SSMA Female Bulkhead Mount Connector Solder Attachment for FM-SR047CU, FM-SR047ALTN, FM-SR047TB, .177 inch D Hole

SSMA female bulkhead connector with solder/solder attachment for FM-SR047CU, FM-SR047ALTN and FM-SR047TB (.177 inch D hole), part number FMCN1867, from Fairview Microwave is in-stock and ships same day. Fairview's FMCN1867 bulkhead SSMA connector enables designers to make external connections on product enclosures, and can be used in a variety of other rack mount and panel mount applications.

Fairview's SSMA female bulkhead connector FMCN1867 datasheet specifications and outline drawing are shown in this PDF below. Our extensive offering of RF, microwave and millimeter wave connectors allows designers to configure and customize their signal connections however they like. From providing an I/O for a board design to creating a custom cable assembly configuration, Fairview Microwave has a connector solution to meet your needs. Fairview Microwave also has the expertise to build your custom cable assemblies for you and ship them same-day.

### Mechanical Specifications

Size	
Length	0.69 in [17.53 mm]
Width/Dia.	0.375 in [9.53 mm]
Height	0.5 in [12.7 mm]
Weight	0.007 lbs [3.18 g]

### Material Specifications

Description	Material	Plating
Contact		Gold MIL-G-45204
Body	Brass	Gold MIL-G-45204

**Compliance Certifications** (see [product page](#) for current document)

### Plotted and Other Data

Notes:



### Configuration:

- SSMA Female Connector
- MIL-STD-348
- 50 Ohms
- Straight Body Geometry
- FM-SR047CU, FM-SR047ALTN, FM-SR047TB Interface Type
- Solder/Solder Attachment
- Bulkhead

### Features:

- Gold Plated Contact
- Contact plating according to MIL-G-45204

### Applications:

- General Purpose Test
- Rack and Panel Mount Applications
- Custom Cable Assemblies

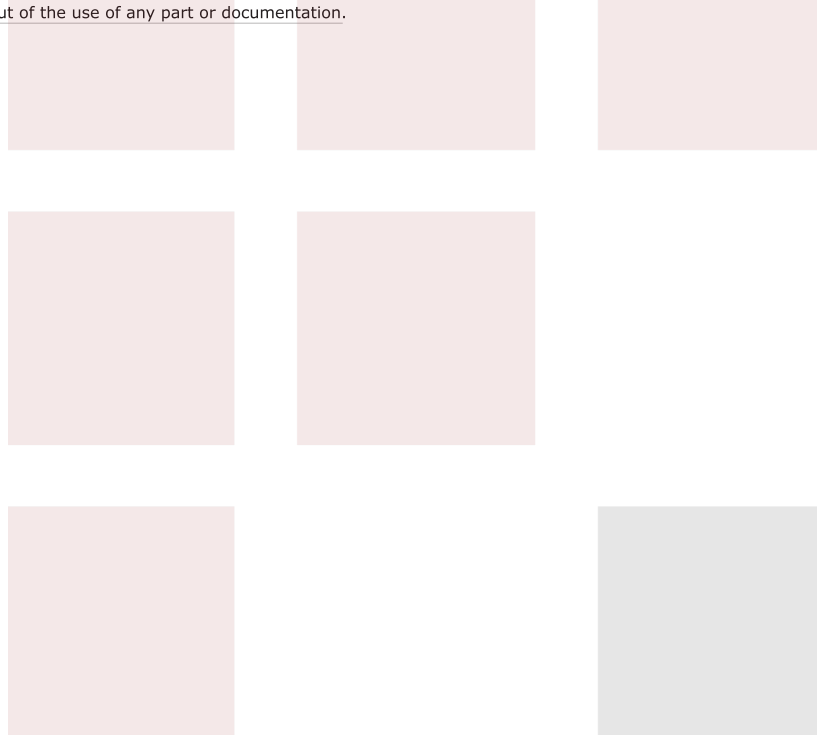
Fairview Microwave  
301 Leora Ln., Suite 100  
Lewisville, TX 75056  
Tel: 1-800-715-4396 / (972) 649-6678  
Fax: (972) 649-6689  
[www.fairviewmicrowave.com](http://www.fairviewmicrowave.com)  
[sales@fairviewmicrowave.com](mailto:sales@fairviewmicrowave.com)

SSMA Female Bulkhead Mount Connector Solder Attachment for FM-SR047CU, FM-SR047ALTN, FM-SR047TB, .177 inch D Hole from Fairview Microwave is in-stock and available to ship same-day. All of our RF/microwave products are available off-the-shelf from our ISO 9001:2008 certified facilities in Lewisville, Texas. Fairview Microwave is RF on-demand.

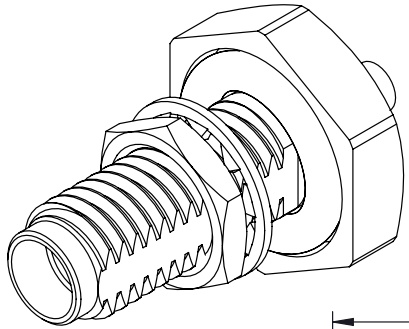
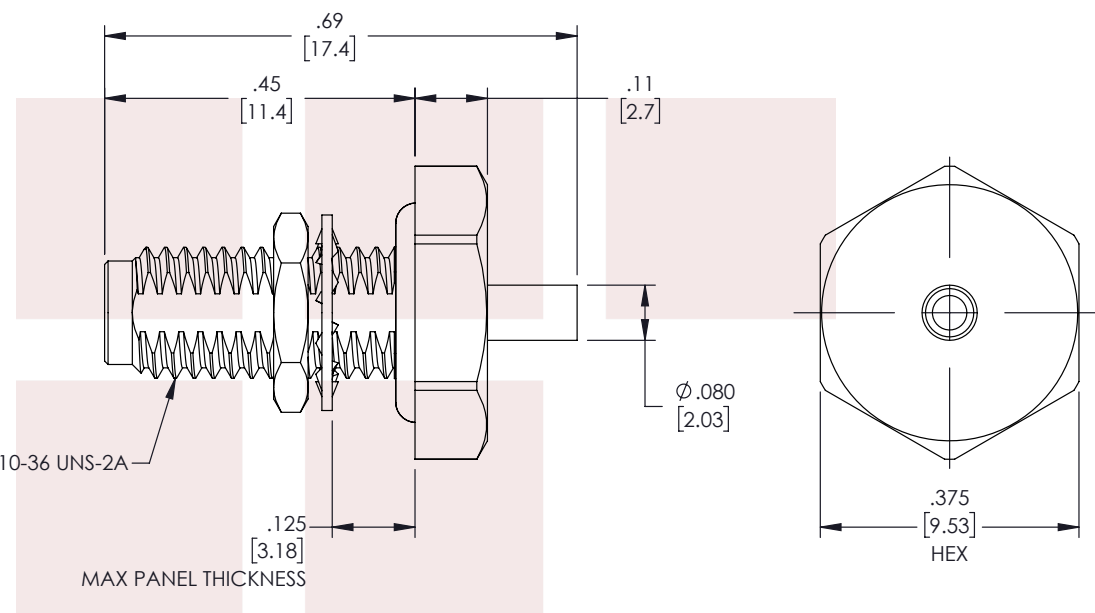
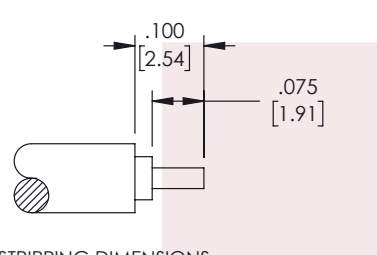
For additional information on this product, please click the following link: [SSMA Female Bulkhead Mount Connector Solder Attachment for FM-SR047CU, FM-SR047ALTN, FM-SR047TB, .177 inch D Hole FMCN1867](#)

URL: <https://www.fairviewmicrowave.com/ssma-female-fm-sr047cu-fm-sr047altn-fm-sr047tb-connector-fmcn1867-p.aspx>

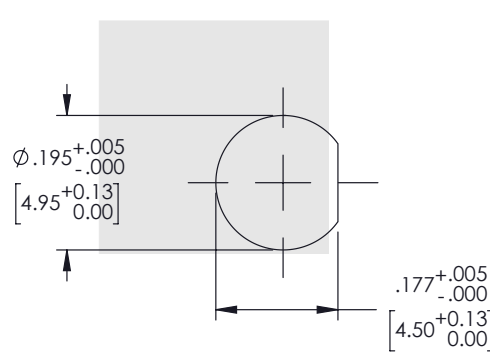
The information contained in this document is accurate to the best of our knowledge and representative of the part described herein. It may be necessary to make modifications to the part and/or the documentation of the part, in order to implement improvements. Fairview Microwave reserves the right to make such changes as required. Unless otherwise stated, all specifications are nominal. Fairview Microwave does not make any representation or warranty regarding the suitability of the part described herein for any particular purpose, and Fairview Microwave does not assume any liability arising out of the use of any part or documentation.



REVISIONS			
REV.	DESCRIPTION	DATE	APPROVED
A	INITIAL RELEASE	02/21/2022	AGANWANI

STRIPPING DIMENSIONS

MOUNTING HOLE


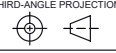
  

**ASSEMBLY PROCEDURE**

- STRIP CABLE AS SHOWN. DO NOT NICK CENTER CONDUCTOR.
- SOLDER CONTACT TO CENTER CONDUCTOR. INSERT CABLE INTO BODY UNTIL CONTACT SETS IN PLACE. SOLDER OUTER CONDUCTOR TO BODY.

THESE COMMODITIES, TECHNOLOGY OR SOFTWARE WERE EXPORTED FROM THE UNITED STATES IN ACCORDANCE WITH THE EXPORT ADMINISTRATION REGULATIONS. DIVERSION CONTRARY TO U.S. LAW PROHIBITED.

 <p><b>Fairview Microwave</b> an INFINIT<sup>®</sup> brand</p> <p>TITLE</p> <p>SSMA Female Bulkhead Mount Connector Solder Attachment for FM-SR047CU, FM-SR047ALTN, FM-SR047TB, .177 inch D Hole</p>	<p>UNLESS OTHERWISE SPECIFIED LEADING DIMENSIONS ARE INCHES DIMENSIONS IN [ ] ARE MILLIMETERS</p> <p>TOLERANCES:      CABLE LENGTH (L) TOLERANCES:</p> <p style="text-align: center;">L ≤ 12 [305] = +1 [25] / -0</p> <p>.X = ±.2 [5.08]    FRACTIONS    12 [305] &lt; L ≤ 60 [1524] = +2 [51] / -0</p> <p>.XX = ±.02 [.51]    ± 1/32            60 [1524] &lt; L ≤ 120 [3048] = +4 [102] / -0</p> <p>.XXX = ±.005 [.13]    ANGLES ± 1°    120 [3048] &lt; L ≤ 300 [7620] = +6 [152] / -0</p> <p style="text-align: center;">300 [7620] &lt; L = +5%L / -0</p>	<p>THIRD-ANGLE PROJECTION</p>  <p>THE INFORMATION AND DESIGN IN THIS DOCUMENT IS THE PROPERTY OF FAIRVIEW MICROWAVE CORPORATION. ALL RIGHTS RESERVED.</p> <p>SHEET 1 OF 1</p>
	<p>ALL DIMENSIONS SHOWN ARE FOR REFERENCE ONLY.</p>	
<p>SIZE A    CAGE CODE 3FKR5    DRAWN BY A.KRESOWSKI    ITEM NO. FMCN1867    REV A</p>		

T-Rev.D