

TNC Male Right Angle Connector Solder Attachment for FM-SR141ALTN, FM-SR141TB, FM-SR141TBJ, FM-SR141CUTN, RG402

RA TNC male connector with solder/solder attachment for FM-SR141ALTN, FM-SR141TB, FM-SR141TBJ, FM-SR141CUTN and RG402, part number FMCN1877, from Fairview Microwave is in-stock and ships same day. This TNC male connector operates up to a maximum frequency of 6 GHz. Its right angle body geometry facilitates connections in tight spaces.

Fairview's RA TNC male connector FMCN1877 datasheet specifications and outline drawing are shown in this PDF below. Our extensive offering of RF, microwave and millimeter wave connectors allows designers to configure and customize their signal connections however they like. From providing an I/O for a board design to creating a custom cable assembly configuration, Fairview Microwave has a connector solution to meet your needs. Fairview Microwave also has the expertise to build your custom cable assemblies for you and ship them same-day.

Electrical Specifications

Description	Min	Typ	Max	Units
Frequency Range	DC		6	GHz

Mechanical Specifications

Size	
Length	1.04 in [26.42 mm]
Width/Dia.	0.591 in [15.01 mm]
Height	0.5 in [12.7 mm]
Weight	0.045 lbs [20.41 g]

Material Specifications

Description	Material	Plating
Contact	Brass	Gold over Nickel
Insulation	PTFE	
Body	Brass	Nickel
Coupling Nut	Brass	Nickel

Compliance Certifications (see [product page](#) for current document)

Plotted and Other Data

Notes:



Configuration:

- TNC Male Connector
- 50 Ohms
- Right Angle Body Geometry
- FM-SR141ALTN, FM-SR141TB, FM-SR141TBJ, FM-SR141CUTN, RG402 Interface Type
- Solder/Solder Attachment

Features:

- Operating Frequency of 6 GHz Max.
- Gold over Nickel Plated Brass Contact

Applications:

- General Purpose Test
- Custom Cable Assemblies

Fairview Microwave
 301 Leora Ln., Suite 100
 Lewisville, TX 75056
 Tel: 1-800-715-4396 / (972) 649-6678
 Fax: (972) 649-6689
www.fairviewmicrowave.com
sales@fairviewmicrowave.com

TNC Male Right Angle Connector Solder Attachment for FM-SR141ALTN, FM-SR141TB, FM-SR141TBJ, FM-SR141CUTN, RG402 from Fairview Microwave is in-stock and available to ship same-day. All of our RF/microwave products are available off-the-shelf from our ISO 9001:2008 certified facilities in Lewisville, Texas. Fairview Microwave is RF on-demand.

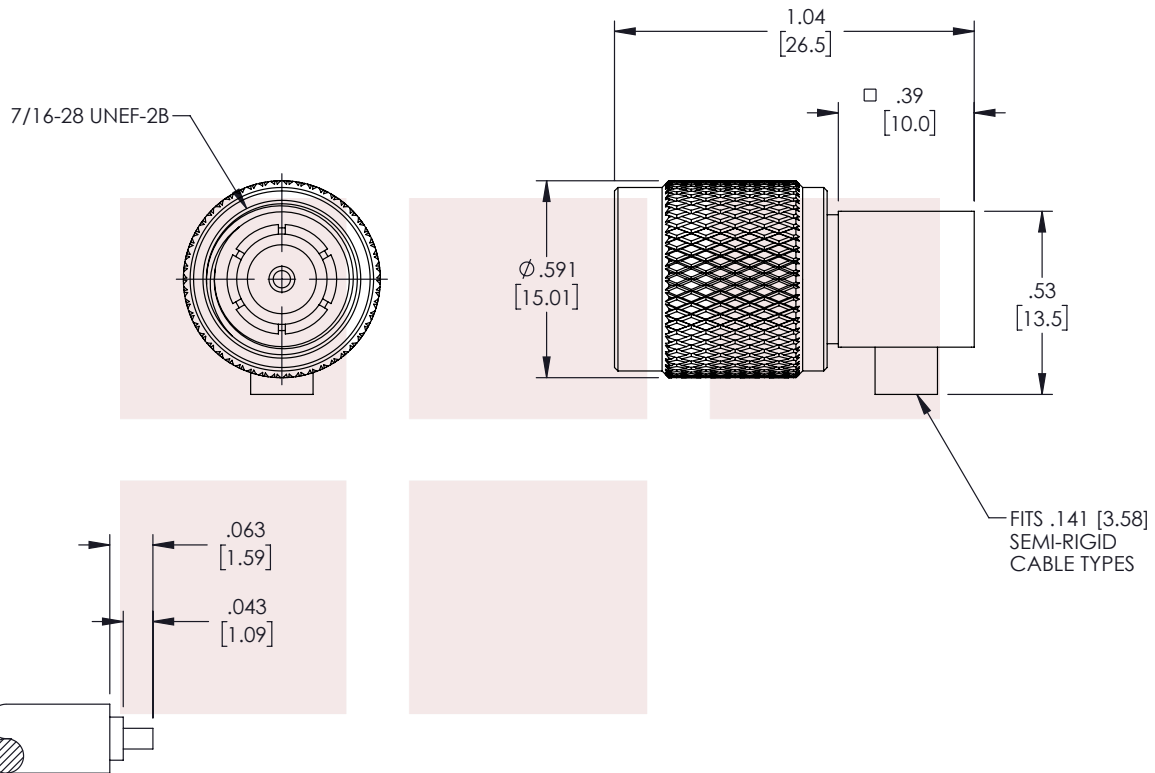
For additional information on this product, please click the following link: [TNC Male Right Angle Connector Solder Attachment for FM-SR141ALTN, FM-SR141TB, FM-SR141TBJ, FM-SR141CUTN, RG402 FMCN1877](#)

URL: <https://www.fairviewmicrowave.com/tnc-male-fm-sr141altn-fm-sr141tb-fm-sr141tbj-fm-sr141cutn-rg402-connector-fmcn1877-p.aspx>

The information contained in this document is accurate to the best of our knowledge and representative of the part described herein. It may be necessary to make modifications to the part and/or the documentation of the part, in order to implement improvements. Fairview Microwave reserves the right to make such changes as required. Unless otherwise stated, all specifications are nominal. Fairview Microwave does not make any representation or warranty regarding the suitability of the part described herein for any particular purpose, and Fairview Microwave does not assume any liability arising out of the use of any part or documentation.



REVISIONS			
REV.	DESCRIPTION	DATE	APPROVED
A	INITIAL RELEASE	02/21/2022	AGANWANI



STRIPPING DIMENSIONS

ASSEMBLY PROCEDURE

1. STRIP CABLE AS SHOWN AND TIN CENTER CONDUCTOR.
2. INSERT CABLE INTO BODY UNTIL OUTER CONDUCTOR BOTTOMS OUT. CENTER CONDUCTOR WILL PROTRUDE INTO CONTACT SLOT.
3. SOLDER CENTER CONDUCTOR INTO SLOT AND SOLDER OUTER CONDUCTOR TO BODY. INSERT INSULATOR AND PRESS CAP INTO CONNECTOR BODY.

THESE COMMODITIES, TECHNOLOGY OR SOFTWARE WERE EXPORTED FROM THE UNITED STATES IN ACCORDANCE WITH THE EXPORT ADMINISTRATION REGULATIONS. DIVERSION CONTRARY TO U.S. LAW PROHIBITED.

TITLE

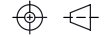
TNC Male Right Angle Connector Solder Attachment for FM-SR141ALTN, FM-SR141TB, FM-SR141TBJ, FM-SR141CUTN, RG402

UNLESS OTHERWISE SPECIFIED LEADING DIMENSIONS ARE INCHES
DIMENSIONS IN [] ARE MILLIMETERS

TOLERANCES: CABLE LENGTH (L) TOLERANCES:

.X = ±.2 [5.08]	FRACTIONS	L ≤ 12 [305] = +1 [25] / -0
.XX = ±.02 [.51]	± 1/32	12 [305] < L ≤ 60 [1524] = +2 [51] / -0
.XXX = ±.005 [.13]	ANGLES ± 1°	60 [1524] < L ≤ 120 [3048] = +4 [102] / -0
		120 [3048] < L ≤ 300 [7620] = +6 [152] / -0
		300 [7620] < L = +5%L / -0

THIRD-ANGLE PROJECTION



THE INFORMATION AND DESIGN IN THIS DOCUMENT IS THE PROPERTY OF FAIRVIEW MICROWAVE CORPORATION. ALL RIGHTS RESERVED.

SHEET 1 OF 1

ALL DIMENSIONS SHOWN ARE FOR REFERENCE ONLY.

SCALE N/A

SIZE A	CAGE CODE 3FKR5	DRAWN BY A.KRESOWSKI	ITEM NO. FMCN1877	REV A
-----------	--------------------	-------------------------	----------------------	----------

T-Rev.D