

## N Female Bulkhead Hermetically Sealed Connector Terminal Solder/Solder Attachment

Type N Female Bulkhead Standard Hermetically Sealed Bulkhead Connector Solder/Solder Attachment, part number FMCN1955, from Fairview Microwave is in-stock and ships same day. This type N female connector operates up to a maximum frequency of 11 GHz and offers excellent VSWR of 1.25:1. Fairview's FMCN1955 bulkhead type N connector enables designers to make external connections on product enclosures, and can be used in a variety of other rack mount and panel mount applications.

Fairview's type N female bulkhead connector FMCN1955 datasheet specifications and outline drawing are shown in this PDF below. Our extensive offering of RF, microwave and millimeter wave connectors allows designers to configure and customize their signal connections however they like. From providing an I/O for a board design to creating a custom cable assembly configuration, Fairview Microwave has a connector solution to meet your needs. Fairview Microwave also has the expertise to build your custom cable assemblies for you and ship them same-day.



### Configuration:

- N Female Connector
- 50 Ohms
- Straight Body Geometry
- Solder/Solder Attachment
- Bulkhead
- 19 mm Hex

### Features:

- Operating Frequency of 11 GHz Max.
- Excellent VSWR of 1.25:1
- Hermetically Sealed
- Gold Plated Beryllium Copper Contact

### Applications:

- General Purpose Test
- Rack and Panel Mount Applications

### Electrical Specifications

Description	Min	Typ	Max	Units
Frequency Range	DC		11	GHz
VSWR			1.25:1	
Insertion Loss			0.165	dB
Operating Voltage (AC)			1,000	Vrms
DWV (AC)			2,500	Vrms
Inner Cond. DC Resistance			1.5	mOhms
Outer Cond. DC Resistance			1	mOhms
Insulation Resistance	5,000			MOhms

### Mechanical Specifications

#### Size

Length	1.37 in [34.8 mm]
Width/Dia.	0.87 in [22.10 mm]
Height	0.87 in [22.1 mm]
Weight	0.09 lbs [40.82 g]
Mating Cycles	500 Cycles
Mating Torque	6 to 10 in-lbs [0.68 to 1.13 Nm]
Cable Retention Force	6.3 lbs [2.86 kg]

### Material Specifications

Description	Material	Plating
Contact	Beryllium Copper	Gold
Insulation	PTFE	
Body	Brass	Tri-Metal

Fairview Microwave  
 301 Leora Ln., Suite 100  
 Lewisville, TX 75056  
 Tel: 1-800-715-4396 / (972) 649-6678  
 Fax: (972) 649-6689  
[www.fairviewmicrowave.com](http://www.fairviewmicrowave.com)  
[sales@fairviewmicrowave.com](mailto:sales@fairviewmicrowave.com)

**Environmental Specifications**

**Temperature**

Operating Range	-65 to +165 deg C
Humidity	MIL-STD-202, Method106
Thermal Shock	MIL-STD-202, Method107, Condition B
Salt Spray	MIL-STD-202, Method101, Condition B
Hermetic Seal	1*10-6cc/sec helium at 1atm

**Compliance Certifications** (see [product page](#) for current document)

**Plotted and Other Data**

Notes:

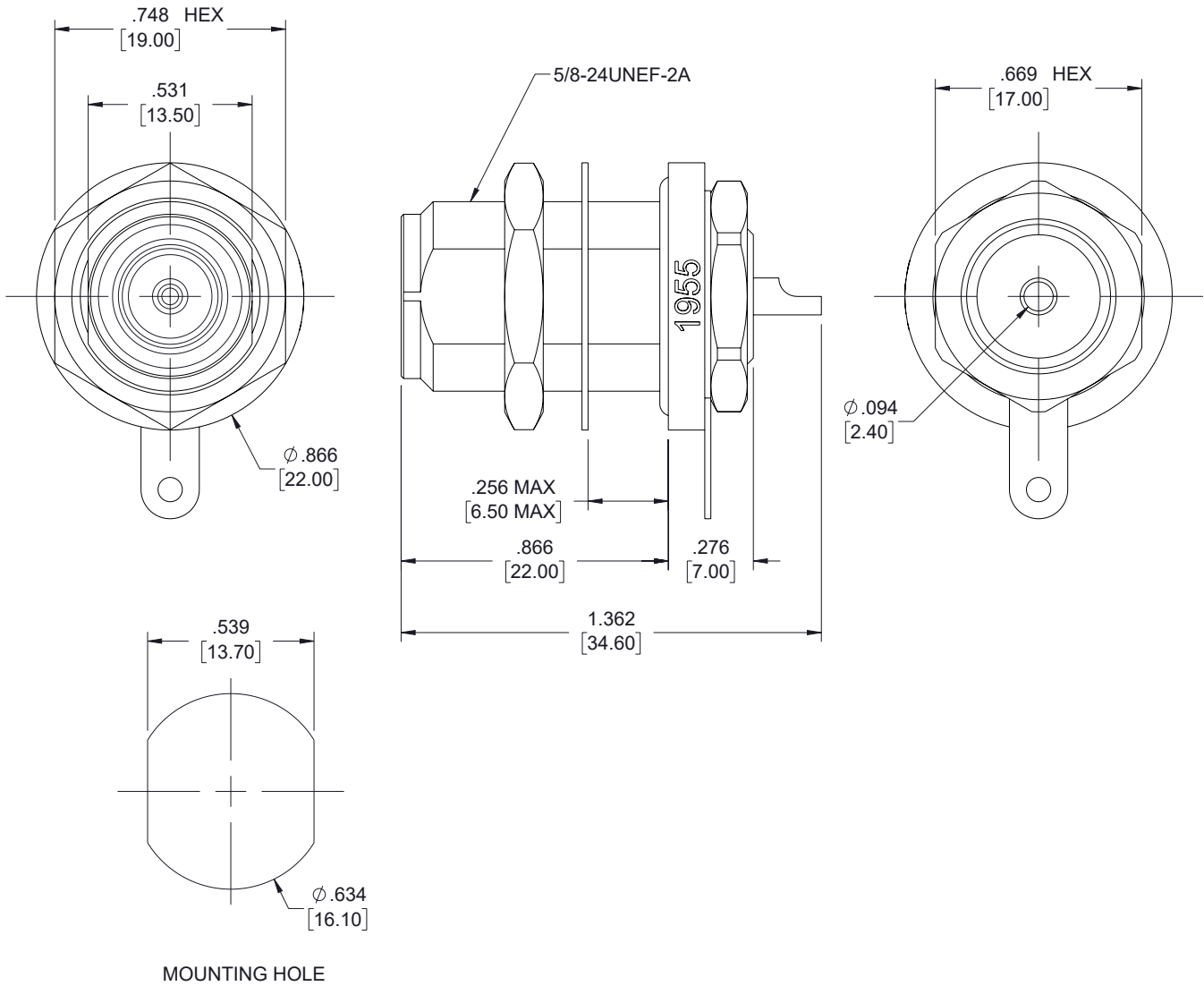
N Female Bulkhead Hermetically Sealed Connector Terminal Solder/Solder Attachment from Fairview Microwave is in-stock and available to ship same-day. All of our RF/microwave products are available off-the-shelf from our ISO 9001:2008 certified facilities in Lewisville, Texas. Fairview Microwave is RF on-demand.

For additional information on this product, please click the following link: [N Female Bulkhead Hermetically Sealed Connector Terminal Solder/Solder Attachment FMCN1955](#)

URL: <https://www.fairviewmicrowave.com/n-female-terminal-connector-fmcn1955-p.aspx>

The information contained in this document is accurate to the best of our knowledge and representative of the part described herein. It may be necessary to make modifications to the part and/or the documentation of the part, in order to implement improvements. Fairview Microwave reserves the right to make such changes as required. Unless otherwise stated, all specifications are nominal. Fairview Microwave does not make any representation or warranty regarding the suitability of the part described herein for any particular purpose, and Fairview Microwave does not assume any liability arising out of the use of any part or documentation.

REVISIONS			
REV.	DESCRIPTION	DATE	APPROVED
A	INITIAL RELEASE	12/13/2022	AGANWANI



THESE COMMODITIES, TECHNOLOGY OR SOFTWARE WERE EXPORTED FROM THE UNITED STATES IN ACCORDANCE WITH THE EXPORT ADMINISTRATION REGULATIONS. DIVERSION CONTRARY TO U.S. LAW PROHIBITED.

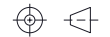
TITLE

UNLESS OTHERWISE SPECIFIED LEADING DIMENSIONS ARE INCHES  
DIMENSIONS IN [ ] ARE MILLIMETERS

TOLERANCES: CABLE LENGTH (L) TOLERANCES:

.X = ±.2 [5.08]	FRACTIONS	L ≤ 12 [305] = +1 [25] / -0
.XX = ±.02 [.51]	± 1/32	12 [305] < L ≤ 60 [1524] = +2 [51] / -0
.XXX = ±.005 [.13]	ANGLES ± 1°	60 [1524] < L ≤ 120 [3048] = +4 [102] / -0
		120 [3048] < L ≤ 300 [7620] = +6 [152] / -0
		300 [7620] < L = +5%L / -0

THIRD-ANGLE PROJECTION



THE INFORMATION AND DESIGN IN THIS DOCUMENT IS THE PROPERTY OF FAIRVIEW MICROWAVE CORPORATION. ALL RIGHTS RESERVED.

SHEET 1 OF 1

ALL DIMENSIONS SHOWN ARE FOR REFERENCE ONLY.

SCALE N/A

SIZE A	CAGE CODE 3FKR5	DRAWN BY HBAKKE	ITEM NO. FMCN1955	REV A
-----------	--------------------	--------------------	----------------------	----------

T-Rev.D