

## 156 to 163 MHz, Omni Marine Antenna, 6.5 dBi, UHF Female (PL259) Connector, White, Fiberglass Radome, Vertical Polarization

The Fairview FMMAROM1005 is a single band omni marine antenna that ships on the same day as ordered. Our vertical polarized antenna with 156 to 163 MHz frequency range has a UHF female connector. This antenna with a white radome made of fiberglass has an overall length of 95.28 inch, a width of 1.5 inch, and a weight of 1.21 lbs.

Fairview's FMMAROM1005 is a single band antenna operating from 156 to 163 MHz with 6.5 dBi gain. The omni directional antenna has a maximum input VSWR of 1.5:1.

Fairview has one of the largest in-stock collections of omni directional antennas with our wide selection of superior quality RF parts, that ship same day. Make your online purchase right now to take advantage of our same-day shipping. For further information on similar products, our expert technical support and knowledgeable sales team can help you get the ideal single band omni antenna as per your requirement.

### Configuration

Design	Marine
Gain	6.5
Polarization	Vertical
Cable Type	S0239
Connector Type	UHF Female
Number of Ports	1

### Electrical Specifications

Description	Min	Typ	Max	Units
Frequency Range	156		163	MHz
Input VSWR			1.5:1	
Impedance		50		Ohms
Gain		6.5		dBi
Horizontal (Azimuth) Beam Width		360		Degrees
Input Power			50	Watts

### Mechanical Specifications

Radome Material	Fiberglass
<b>Size</b>	
Length	95.28 in [242.01 cm]
Width	1.5 in [38.1 mm]
Height	1.5 in [38.1 mm]
Weight	1.21 lbs [548.85 g]

### Environmental Specifications

<b>Temperature</b>	
Operating Range	-40 to +80 deg C

### Compliance Certifications (see [product page](#) for current document)

### Plotted and Other Data

Notes:



### Features:

- Marine grade omni antenna
- Fiberglass strong material
- 4M RG58 Pigtail
- PL259 male connector
- 156 to 163 MHz, 6.5 dBi
- Yacht, boats and other marine vehicles
- Single pole long antenna
- IP67 rated antenna

### Applications:

- Port operations
- Boater calling
- Commercial and Non-commercial communications
- International distress, safety and calling (156.80 MHz)
- Coast guard communications
- Marine radios on boats, pontoon, sailboats or yacht
- AIS calling
- Marine operators
- Weather monitoring

Fairview Microwave  
301 Leora Ln., Suite 100  
Lewisville, TX 75056  
Tel: 1-800-715-4396 / (972) 649-6678  
Fax: (972) 649-6689  
[www.fairviewmicrowave.com](http://www.fairviewmicrowave.com)  
[sales@fairviewmicrowave.com](mailto:sales@fairviewmicrowave.com)

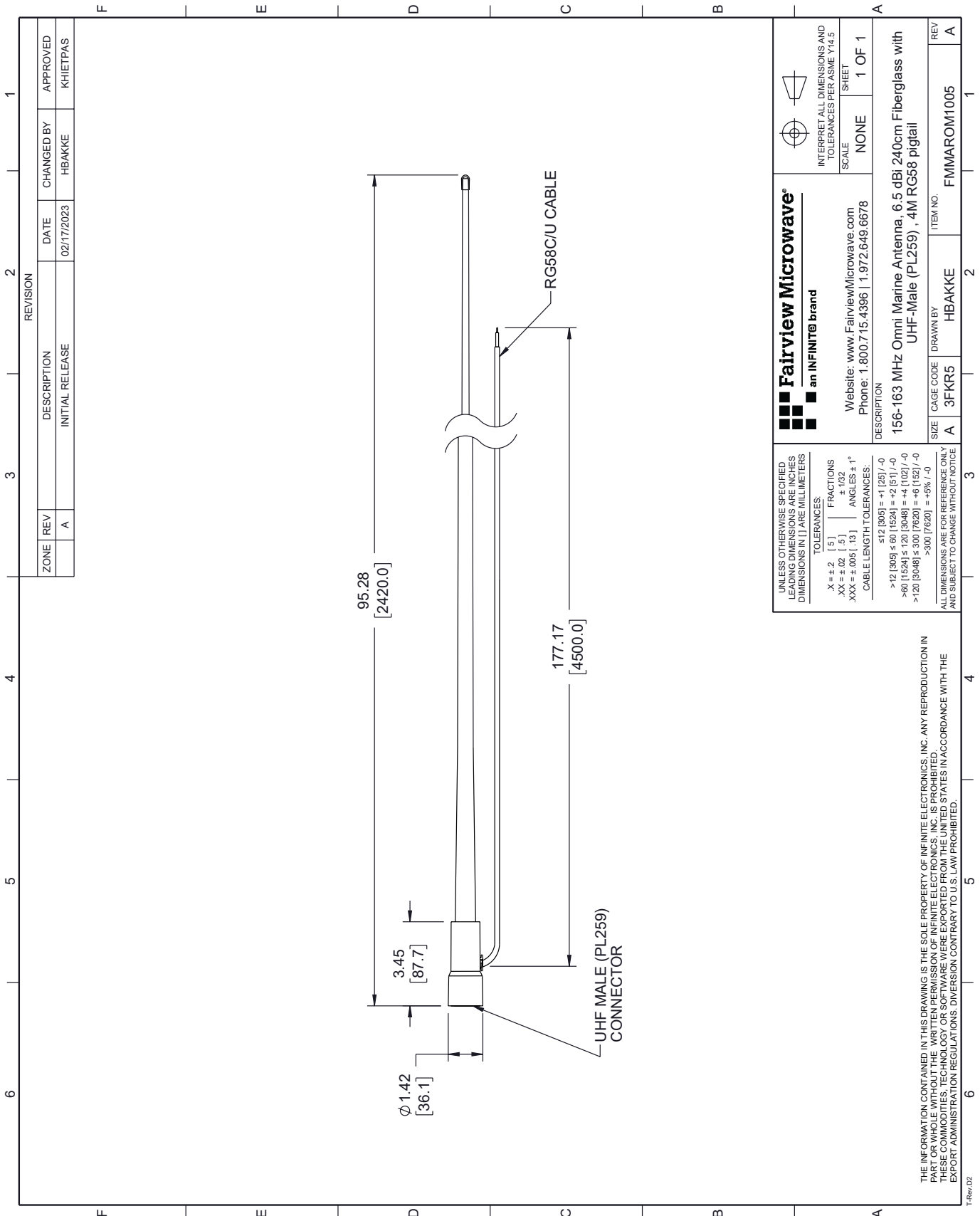
156 to 163 MHz, Omni Marine Antenna, 6.5 dBi, UHF Female (PL259) Connector, White, Fiberglass Radome, Vertical Polarization from Fairview Microwave is in-stock and available to ship same-day. All of our RF/microwave products are available off-the-shelf from our ISO 9001:2008 certified facilities in Lewisville, Texas. Fairview Microwave is RF on-demand.

For additional information on this product, please click the following link: [156 to 163 MHz, Omni Marine Antenna, 6.5 dBi, UHF Female \(PL259\) Connector, White, Fiberglass Radome, Vertical Polarization FMMAROM1005](#)

URL: <https://www.fairviewmicrowave.com/6.5-dbi-antenna-156-163-mhz-uhf-connector-fmmarom1005-p.aspx>

The information contained in this document is accurate to the best of our knowledge and representative of the part described herein. It may be necessary to make modifications to the part and/or the documentation of the part, in order to implement improvements. Fairview Microwave reserves the right to make such changes as required. Unless otherwise stated, all specifications are nominal. Fairview Microwave does not make any representation or warranty regarding the suitability of the part described herein for any particular purpose, and Fairview Microwave does not assume any liability arising out of the use of any part or documentation.





ZONE		REVISION		DATE		APPROVED	
A		INITIAL RELEASE		02/17/2023	HBAKKE		KHIETPAS

<p><b>Fairview Microwave</b> an INFINIT<sup>®</sup> brand</p> <p>Website: <a href="http://www.FairviewMicrowave.com">www.FairviewMicrowave.com</a> Phone: 1.800.715.4396   1.972.649.6678</p>	<p>INTERPRET ALL DIMENSIONS AND TOLERANCES PER ASME Y14.5</p>
	<p>SCALE: NONE</p> <p>SHEET: 1 OF 1</p>
<p>DESCRIPTION: 156-163 MHz Omni Marine Antenna, 6.5 dBi 240cm Fiberglass with UHF-Male (PL259), 4M RG58 pigtail</p>	
<p>SIZE: A</p> <p>CAGE CODE: 3FKR5</p> <p>DRAWN BY: HBAKKE</p> <p>ITEM NO.: FMMAROM1005</p>	<p>REV: A</p>

UNLESS OTHERWISE SPECIFIED, LEADING DIMENSIONS ARE INCHES DIMENSIONS IN [ ] ARE MILLIMETERS

TOLERANCES:

.X = ±.2 [5] FRACTIONS  
 .XX = ±.02 [.5] ±.132  
 .XXX = ±.005 [.13] ANGLES ± 1°

CABLE LENGTH TOLERANCES:

≤12 [305] = +1 [25] / -0  
 >12 [305] ≤ 60 [1524] = +2 [51] / -0  
 >60 [1524] ≤ 120 [3048] = +4 [102] / -0  
 >120 [3048] ≤ 300 [7620] = +6 [152] / -0  
 >300 [7620] = +5% / -0

ALL DIMENSIONS ARE FOR REFERENCE ONLY AND SUBJECT TO CHANGE WITHOUT NOTICE

THE INFORMATION CONTAINED IN THIS DRAWING IS THE SOLE PROPERTY OF INFINITE ELECTRONICS, INC. ANY REPRODUCTION IN PART OR WHOLE WITHOUT THE WRITTEN PERMISSION OF INFINITE ELECTRONICS, INC. IS PROHIBITED. THESE COMMODITIES, TECHNOLOGY OR SOFTWARE WERE EXPORTED FROM THE UNITED STATES IN ACCORDANCE WITH THE EXPORT ADMINISTRATION REGULATIONS. DIVERSION CONTRARY TO U.S. LAW PROHIBITED.