

## SP6T Electromechanical Relay Normally Open Switch, DC to 40 GHz, up to 10W, 2M Lifecycles, 12V, Indicators, TTL, Suppression Diodes, 2.92mm

The FMSW6458 is a Single Pole Six Throw (SP6T) electromechanical relay switch that operates across a wide frequency range of DC to 40 GHz and can handle up to 10 Watts of Average power in a break before make condition. The 50 Ohm design is rated for 2 million lifecycles and features a Normally Open Actuator where the selected position remains active with constant voltage, all positions are open when voltage is removed. Additional features include TTL control logic, suppression diodes which limit voltage spikes or reverse current, and indicators. Impressive typical performance includes 0.6 dB insertion loss and isolation greater than 85 dB. This switch requires +12Vdc bias voltage and operates over a temperature range of -25°C to +65°C. The rugged and compact package assembly supports 2.92mm female connectors and a 15 pin D-Sub connector for DC command control functions. And for highly reliable operation, the model is guaranteed to meet MIL-STD-202 environmental test conditions for shock and random vibration.

### Electrical Specifications

Switch Type	SP6T
Actuator Type	Normally Open
Switching Sequence	Break Before Make
Actuator Options	Indicators, TTL Logic
TTL Control	on: 2.4 to 5 Volts off: 0 to 0.8 Volts

Description	Min	Typ	Max	Units
Frequency Range	DC		40	GHz
Impedance		50		Ohms
Operating Voltage	11	12	13	Volts
Actuating Current @ 12 Volts			250	mA
VSWR		1.8:1	1.95:1	
Insertion Loss		0.6	1.3	dB
Isolation	50	85		dB
Switching Time			20	ms

### Performance by Frequency

Description	F1	F2	F3	F4	F5	Units
Frequency Range	DC - 6	6 - 12	12 - 18	18 - 28	28 - 40	GHz
VSWR, Max	1.25:1	1.4:1	1.5:1	1.8:1	1.95:1	
Insertion Loss, Max	0.2	0.4	0.5	0.9	1.3	dB
Isolation, Min	70	60	60	60	50	dB



### Features:

- Single Pole Six Throw Electromechanical Relay Switch
- DC to 40 GHz Frequency Range
- Normally Open Actuator
- TTL Logic Control
- Suppression Diodes
- Indicators
- 2M Lifecycle Rating
- Insertion Loss 0.6 dB typ
- Isolation > 85 dB typ
- VSWR as low as 1.25:1 max
- +12 Volt DC Bias
- 15 Pin D-Sub Connector for DC Command Control
- 2.92mm Female Connectors
- -25°C to +65°C Operating Temperature
- Up to 10 Watt Average Power Handling
- 50 Ohm Design
- Hot Switching Capability - Consult Factory
- S-Parameter Data available upon request
- Rugged Design meets Mil-STD-202 Test Conditions

### Applications:

- Aerospace & Defense
- Test & Measurement
- Microwave Radio Systems
- Military & Commercial Communication Systems
- Research & Development
- SATCOM
- Wireless Communications
- Enterprise
- IoT

Fairview Microwave  
 301 Leora Ln., Suite 100  
 Lewisville, TX 75056  
 Tel: 1-800-715-4396 / (972) 649-6678  
 Fax: (972) 649-6689  
[www.fairviewmicrowave.com](http://www.fairviewmicrowave.com)  
[sales@fairviewmicrowave.com](mailto:sales@fairviewmicrowave.com)

**Mechanical Specifications**

**Size**

Length 2.62 in [66.55 mm]  
Width/Diameter 1.75 in [44.45 mm]  
Height 1.75 in [44.45 mm]

Finish NICKEL  
Package Type Connectorized

Operating Life 2,000,000 Cycles

**Connectors**

RF Connector Type 2.92mm Female

**Environmental Specifications**

**Temperature**

Operating Range -25 to +65 deg C  
Storage Range -55 to +100 deg C

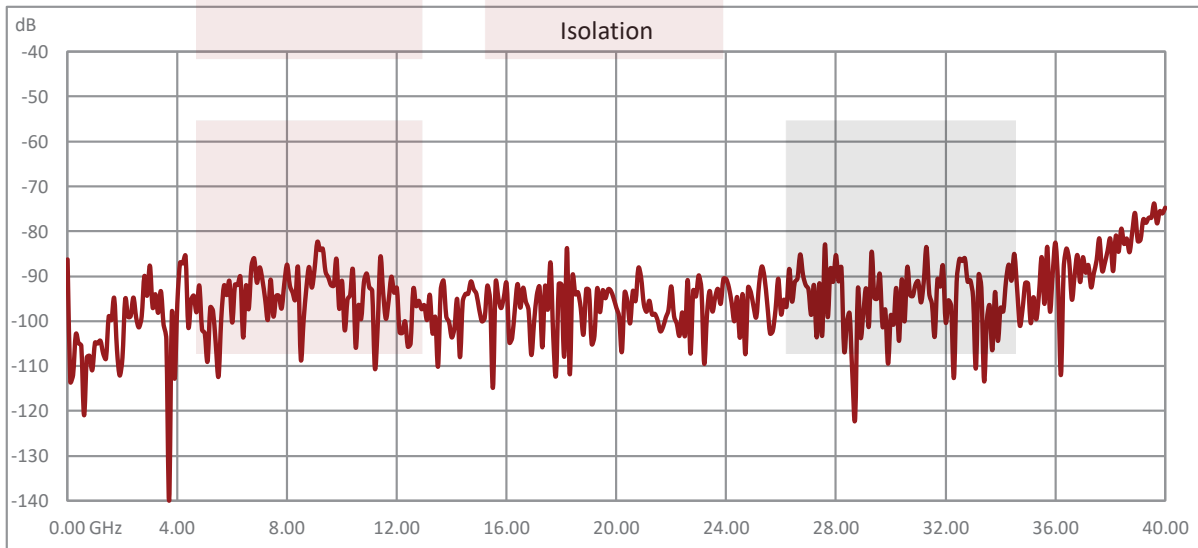
Humidity Moisture resistant or immersion sealing available  
Shock MIL-STD-202 Method 213, Condition D, 500G (non oper)  
Vibration MIL-STD-202 Method 214, Condition D, 10G RMS (non oper)

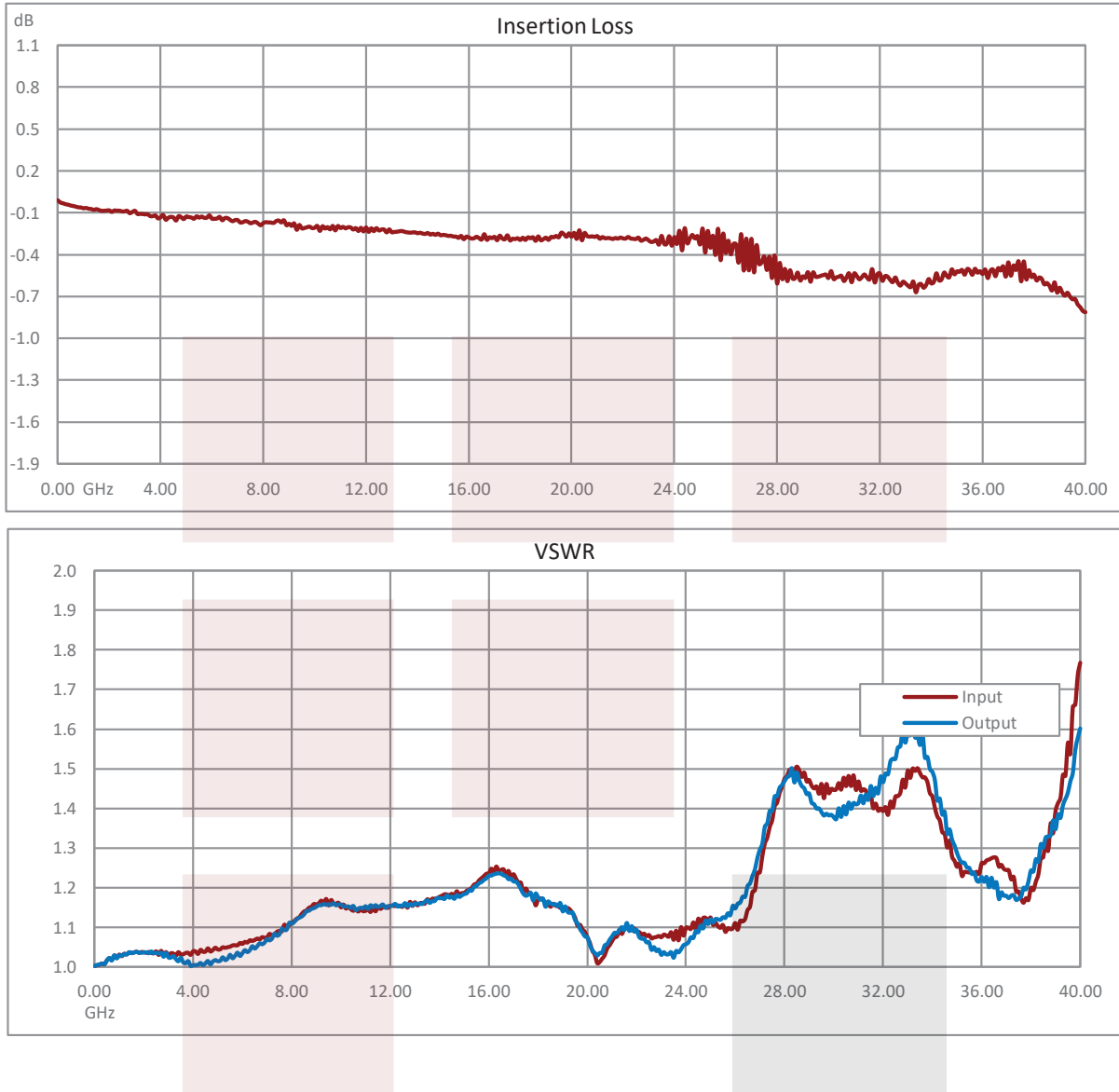
**Compliance Certifications** (see [product page](#) for current document)

**Plotted and Other Data**

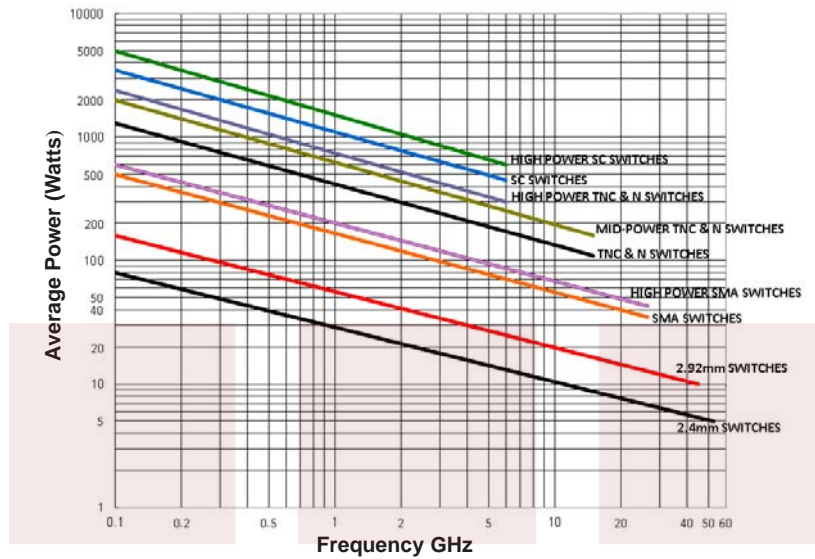
Notes:

**Typical Performance Data**

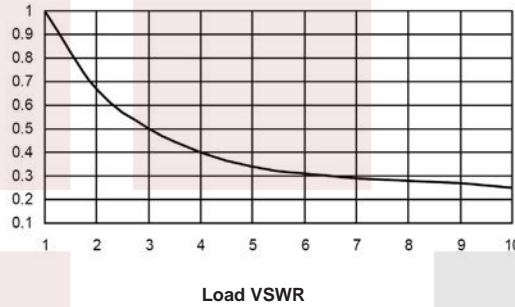




**Power Handling vs. Frequency**



**Power Handling De-rating vs. Load VSWR**



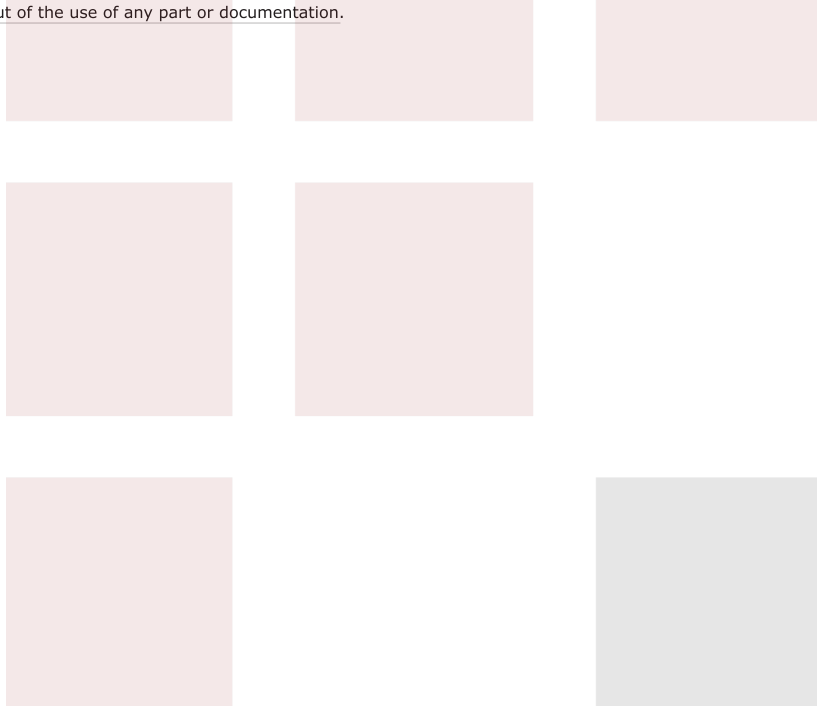
Power Handling Chart and Derating Curves based on the following Test and Environmental Conditions:  
 Ambient temperature: 20 - 25°C  
 Altitude: Sea Level to 1,000 feet  
 Relative Humidity: 50 - 55%  
 Load VSWR: ≤ 1.20:1  
 Operation: Cold Switching

SP6T Electromechanical Relay Normally Open Switch, DC to 40 GHz, up to 10W, 2M Lifecycles, 12V, Indicators, TTL, Suppression Diodes, 2.92mm from Fairview Microwave is in-stock and available to ship same-day. All of our RF/microwave products are available off-the-shelf from our ISO 9001:2008 certified facilities in Lewisville, Texas. Fairview Microwave is RF on-demand.

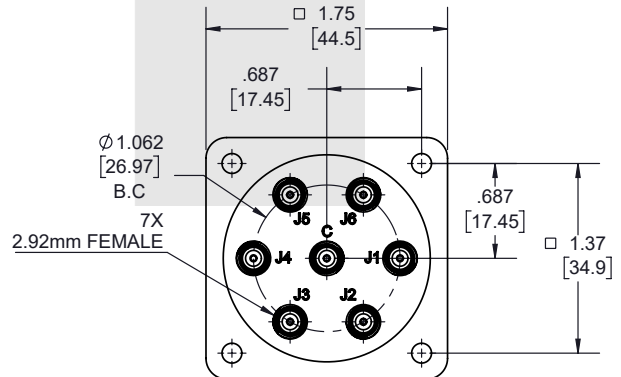
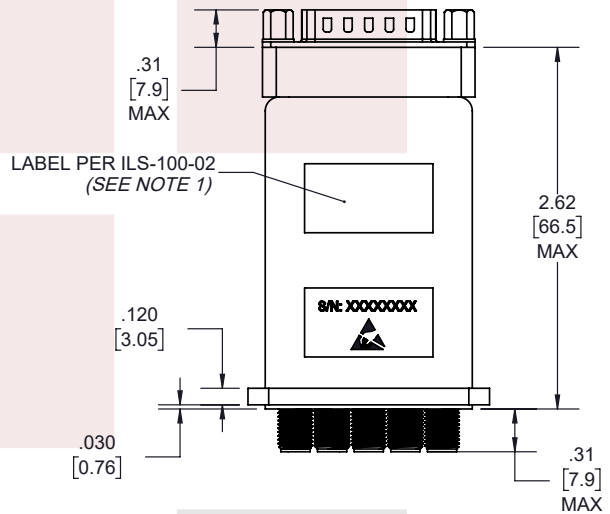
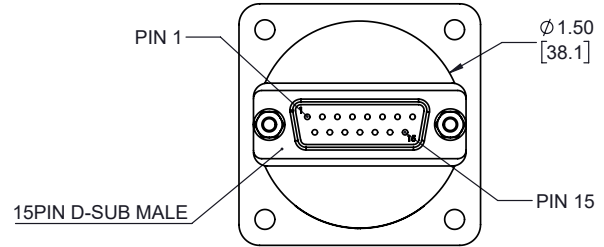
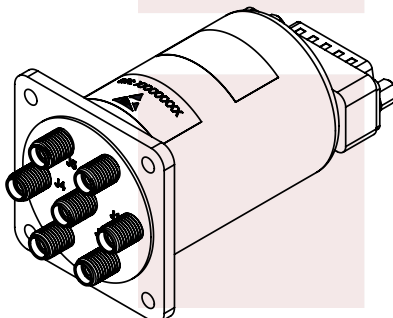
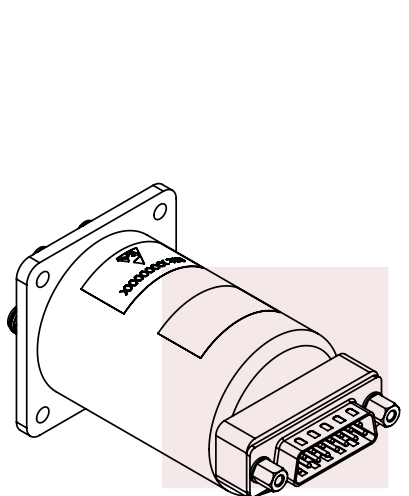
For additional information on this product, please click the following link: [SP6T Electromechanical Relay Normally Open Switch, DC to 40 GHz, up to 10W, 2M Lifecycles, 12V, Indicators, TTL, Suppression Diodes, 2.92mm FMSW6458](#)

URL: <https://www.fairviewmicrowave.com/sp6t-normally-open-40-ghz-electro-mechanical-relay-switch-indicators-12v-2.92mm-fmsw6458-p.aspx>

The information contained in this document is accurate to the best of our knowledge and representative of the part described herein. It may be necessary to make modifications to the part and/or the documentation of the part, in order to implement improvements. Fairview Microwave reserves the right to make such changes as required. Unless otherwise stated, all specifications are nominal. Fairview Microwave does not make any representation or warranty regarding the suitability of the part described herein for any particular purpose, and Fairview Microwave does not assume any liability arising out of the use of any part or documentation.



REVISIONS			
REV.	DESCRIPTION	DATE	APPROVED
A	INITIAL RELEASE	1/29/2021	T.GALLA



NOTES:  
1. LABEL PER ILS-100-02. FOR INTERNAL REFERENCE ONLY.  
LABEL LOCATION FOR REFERENCE ONLY.

THESE COMMODITIES, TECHNOLOGY OR SOFTWARE WERE EXPORTED FROM THE UNITED STATES IN ACCORDANCE WITH THE EXPORT ADMINISTRATION REGULATIONS. DIVERSION CONTRARY TO U.S. LAW PROHIBITED.

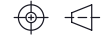
TITLE  
SP6T Electromechanical Relay Normally Open Switch, DC to 40 GHz, up to 10W, 2M Lifecycles, 12V, Indicators, TTL, Suppression Diodes, 2.92mm

UNLESS OTHERWISE SPECIFIED LEADING DIMENSIONS ARE INCHES  
DIMENSIONS IN [ ] ARE MILLIMETERS

TOLERANCES: CABLE LENGTH (L) TOLERANCES:

.X = ±.2 [5.08] FRACTIONS L ≤ 12 [305] = +1 [25] / -0  
.XX = ±.02 [.51] ± 1/32 12 [305] < L ≤ 60 [1524] = +2 [51] / -0  
.XXX = ±.005 [.13] ANGLES ± 1° 60 [1524] < L ≤ 120 [3048] = +4 [102] / -0  
120 [3048] < L ≤ 300 [7620] = +6 [152] / -0  
300 [7620] < L = +5%L / -0

THIRD-ANGLE PROJECTION



THE INFORMATION AND DESIGN IN THIS DOCUMENT IS THE PROPERTY OF FAIRVIEW MICROWAVE CORPORATION. ALL RIGHTS RESERVED.

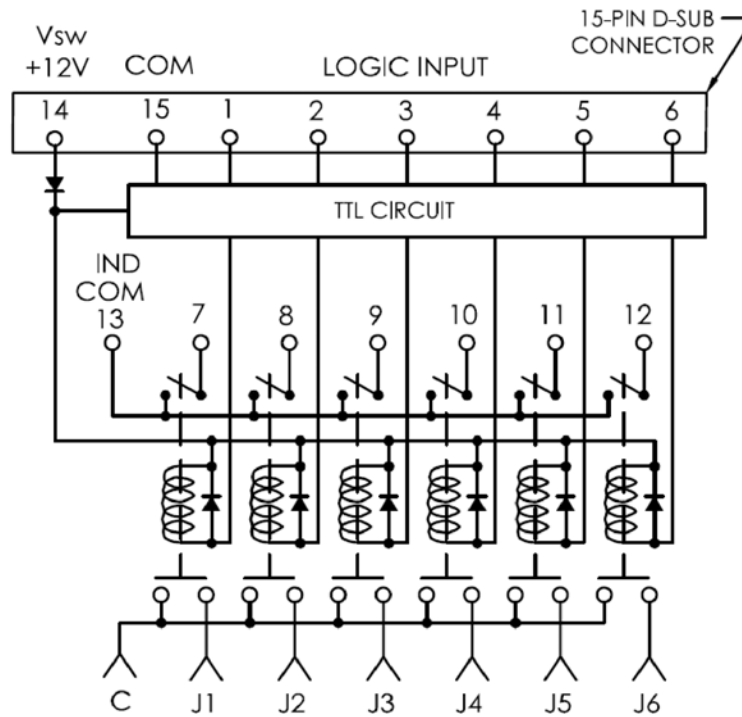
SHEET 1 OF 2

ALL DIMENSIONS SHOWN ARE FOR REFERENCE ONLY.

SCALE N/A

SIZE A	CAGE CODE 3FKR5	DRAWN BY K.DANG	ITEM NO. FMSW6458	REV A
-----------	--------------------	--------------------	----------------------	----------

T-Rev.D



**RF POSITION**  
**SCHEMATIC**

**PIN ASSIGNMENT:**

TERMINALS LOGIC INPUT PINS	RF PATH						INDICATOR					
	J1	J2	J3	J4	J5	J6	7	8	9	10	11	12
1("1")	ON	OFF	OFF	OFF	OFF	OFF	ON	OFF	OFF	OFF	OFF	OFF
2("1")	OFF	ON	OFF	OFF	OFF	OFF	OFF	ON	OFF	OFF	OFF	OFF
3("1")	OFF	OFF	ON	OFF	OFF	OFF	OFF	OFF	ON	OFF	OFF	OFF
4("1")	OFF	OFF	OFF	ON	OFF	OFF	OFF	OFF	OFF	ON	OFF	OFF
5("1")	OFF	OFF	OFF	OFF	ON	OFF	OFF	OFF	OFF	OFF	ON	OFF
6("1")	OFF	OFF	OFF	OFF	OFF	ON	OFF	OFF	OFF	OFF	OFF	ON

PIN 15. COM  
PIN 14. Vsw +12VDC  
PIN 13. IND COM

THESE COMMODITIES, TECHNOLOGY OR SOFTWARE WERE EXPORTED FROM THE UNITED STATES IN ACCORDANCE WITH THE EXPORT ADMINISTRATION REGULATIONS. DIVERSION CONTRARY TO U.S. LAW PROHIBITED.

TITLE  
SP6T Electromechanical Relay Normally Open Switch, DC to 40 GHz, up to 10W, 2M Lifecycles, 12V, Indicators, TTL, Suppression Diodes, 2.92mm

UNLESS OTHERWISE SPECIFIED LEADING DIMENSIONS ARE INCHES  
DIMENSIONS IN [ ] ARE MILLIMETERS

TOLERANCES: CABLE LENGTH (L) TOLERANCES:

.X = ±.2 [ .508] FRACTIONS L ≤ 12 [305] = +1 [25] / -0  
.XX = ±.02 [ .51] ± 1/32 12 [305] < L ≤ 60 [1524] = +2 [51] / -0  
.XXX = ±.005 [ .13] ANGLES ± 1° 60 [1524] < L ≤ 120 [3048] = +4 [102] / -0  
120 [3048] < L ≤ 300 [7620] = +6 [152] / -0  
300 [7620] < L = +5%L / -0

THIRD-ANGLE PROJECTION



THE INFORMATION AND DESIGN IN THIS DOCUMENT IS THE PROPERTY OF FAIRVIEW MICROWAVE CORPORATION. ALL RIGHTS RESERVED.

SHEET 2 OF 2

SCALE N/A

ALL DIMENSIONS SHOWN ARE FOR REFERENCE ONLY.

SIZE A	CAGE CODE 3FKR5	DRAWN BY K.DANG	ITEM NO. FMSW6458	REV A
-----------	--------------------	--------------------	----------------------	----------

T-Rev.D