

Transfer, IP64 Rated Electromechanical Relay Failsafe Switch, DC to 18 GHz, 90W, 24VDC, SMA

The FMSW6537 is a Ruggedized Transfer electromechanical relay switch that operates across a frequency range from DC to 18 GHz and can handle up to 90 Watts of average power in a break before make condition. The 50 Ohm design is IP64 compliant with a Level 1 moisture seal and specially designed to operate reliably in harsh usage environments and conditions, such as over extreme temperatures and wet or dusty environments. Intrusion protection offers full protection against dust and other particulates. Moisture protection enables resistance to splashes in all directions. The switch has a Failsafe actuator and is rated for 2 million lifecycles. Impressive typical performance includes 0.2 dB insertion loss and isolation greater than 70 dB. The switch requires + 24 Vdc bias voltage and operates over a wide temperature range of -54°C to +85°C. The rugged and compact package assembly supports female SMA connectors and 9 Pin D-Sub connector for DC control. And for highly reliable operation, the model is guaranteed to meet MIL-STD-202 environmental test conditions for shock and random vibration.

Electrical Specifications (TA = +25°C, DC Voltage = 28 Vdc)

Switch Type Transfer
 Actuator Type Failsafe

Description	Min	Typ	Max	Units
Frequency Range	DC		18	GHz
Impedance		50		Ohms
Operating Voltage	26	28	30	Volts
Actuating Current @ 28 Volts			160	mA
VSWR		1.1:1	1.4:1	
Insertion Loss		0.2	0.5	dB
Isolation	65	85		dB
Switching Time		20		ms

Performance by Frequency

Description	F1	F2	F3	F4	F5	Units
Frequency Range	DC - 6	6 - 12	12 - 18			GHz
VSWR, Max	1.2:1	1.3:1	1.4:1			
Insertion Loss, Max	0.2	0.3	0.5			dB
Isolation, Min	80	70	65			dB

Mechanical Specifications

Size	
Length	1.95 in [49.53 mm]
Width/Diameter	2.75 in [69.85 mm]
Height	0.92 in [23.37 mm]
Weight	0.13 lbs [58.97 g]



Features:

- Single Pole Double Throw (SP2T) Ruggedized Electromechanical Relay Switch
- IP64 Level 1 Rated
- DC to 18 GHz Frequency Range
- Failsafe Actuator
- 2M Lifecycle Rating
- Insertion Loss 0.2 dB typ
- Isolation > 70 dB typ
- VSWR as low as 1.2:1 max
- 9 Pin D-SUB Connector for DC Control
- +24 Volt DC Bias
- SMA Female Connectors
- -54°C to +85°C Operating Temperature
- Up to 90 Watt Average Power Handling
- 50 Ohm Design
- Hot Switching Capability - Consult Factory
- S-Parameter Data available upon request
- Rugged Design meets Mil-STD-202 Test Conditions

Applications:

- Aerospace & Defense
- Test & Measurement
- Microwave Radio Systems
- Military & Commercial Communication Systems
- Research & Development
- SATCOM
- Wireless Communications
- Enterprise
- IoT

Fairview Microwave
 301 Leora Ln., Suite 100
 Lewisville, TX 75056
 Tel: 1-800-715-4396 / (972) 649-6678
 Fax: (972) 649-6689
www.fairviewmicrowave.com
sales@fairviewmicrowave.com

Connectors

RF Connector Type
Control Connector

SMA Female
D-Subminiature

Environmental Specifications

Temperature

Operating Range
Storage Range

-54 to +85 deg C
-55 to +100 deg C

Ingress Protection (IP) Rating

IP64

Shock

MIL-STD-202 Method 213, Condition D, 500 G (non oper)

Vibration

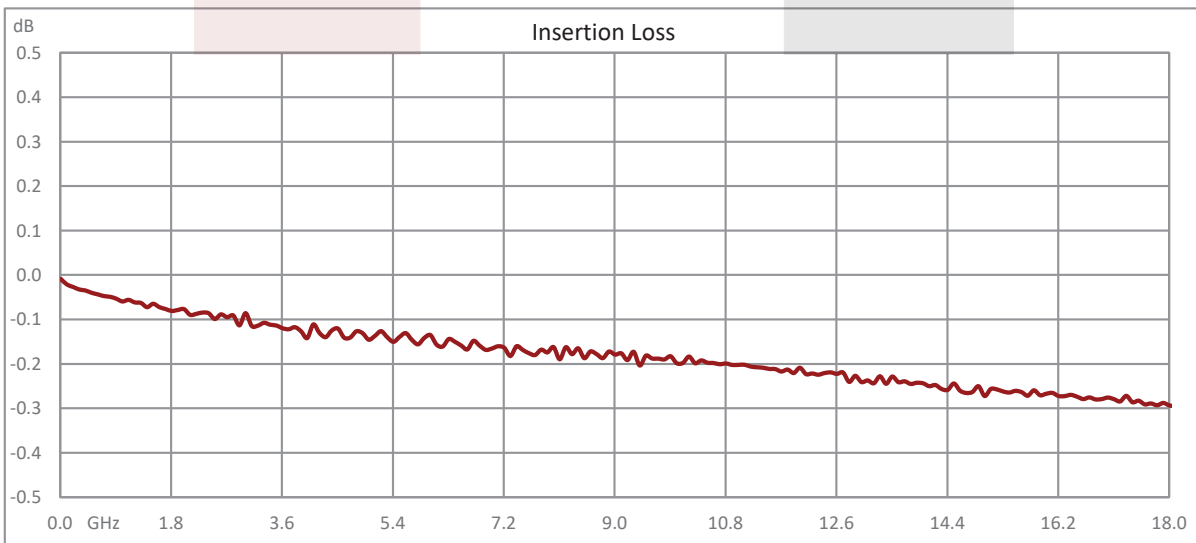
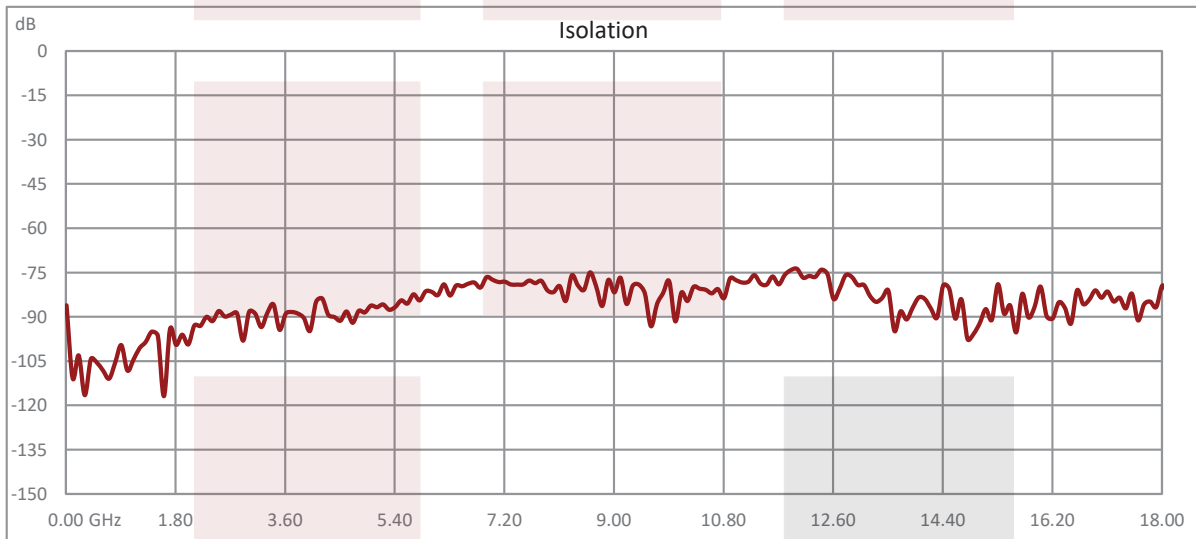
MIL-STD-202 Method 204, Condition D, 10G RMS (non oper)

Compliance Certifications (see [product page](#) for current document)

Plotted and Other Data

Notes:

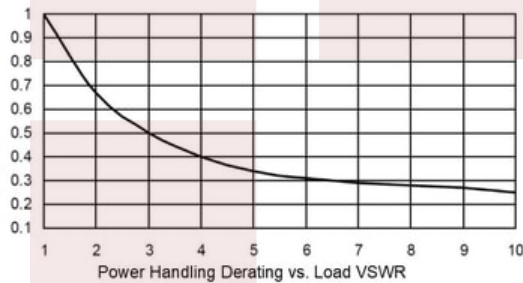
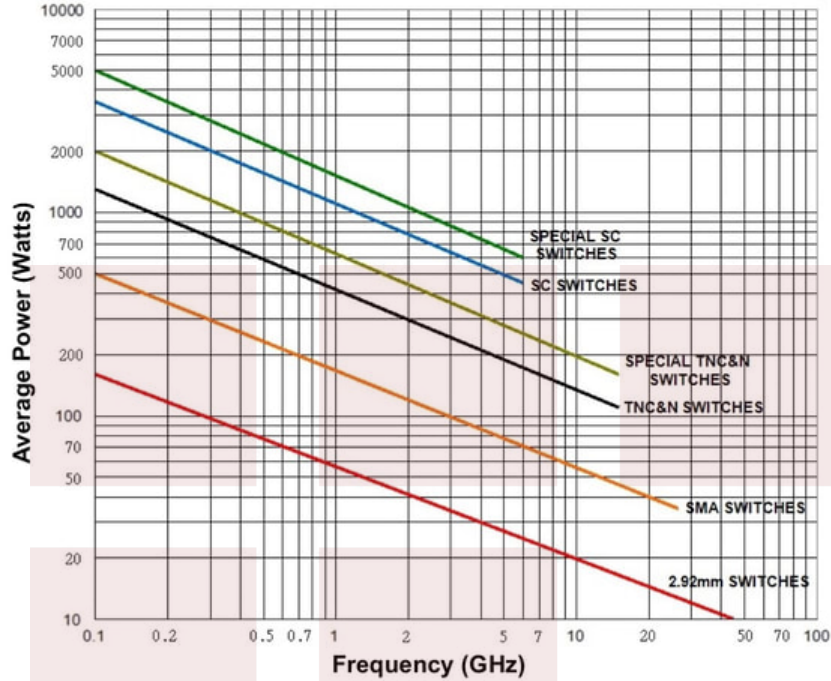
Typical Performance Data





Power Handling vs. Frequency

Power Handling vs. Frequency



Power handling chart and derating curves based on the following conditions:

- Ambient temperature: 40°C or less
- Altitude: Sea level
- Load VSWR: 1.20:1 Maximum
- Relative Humidity: 40-50%
- Cold switching: RF signal off

Note: specifications subject to change without notice

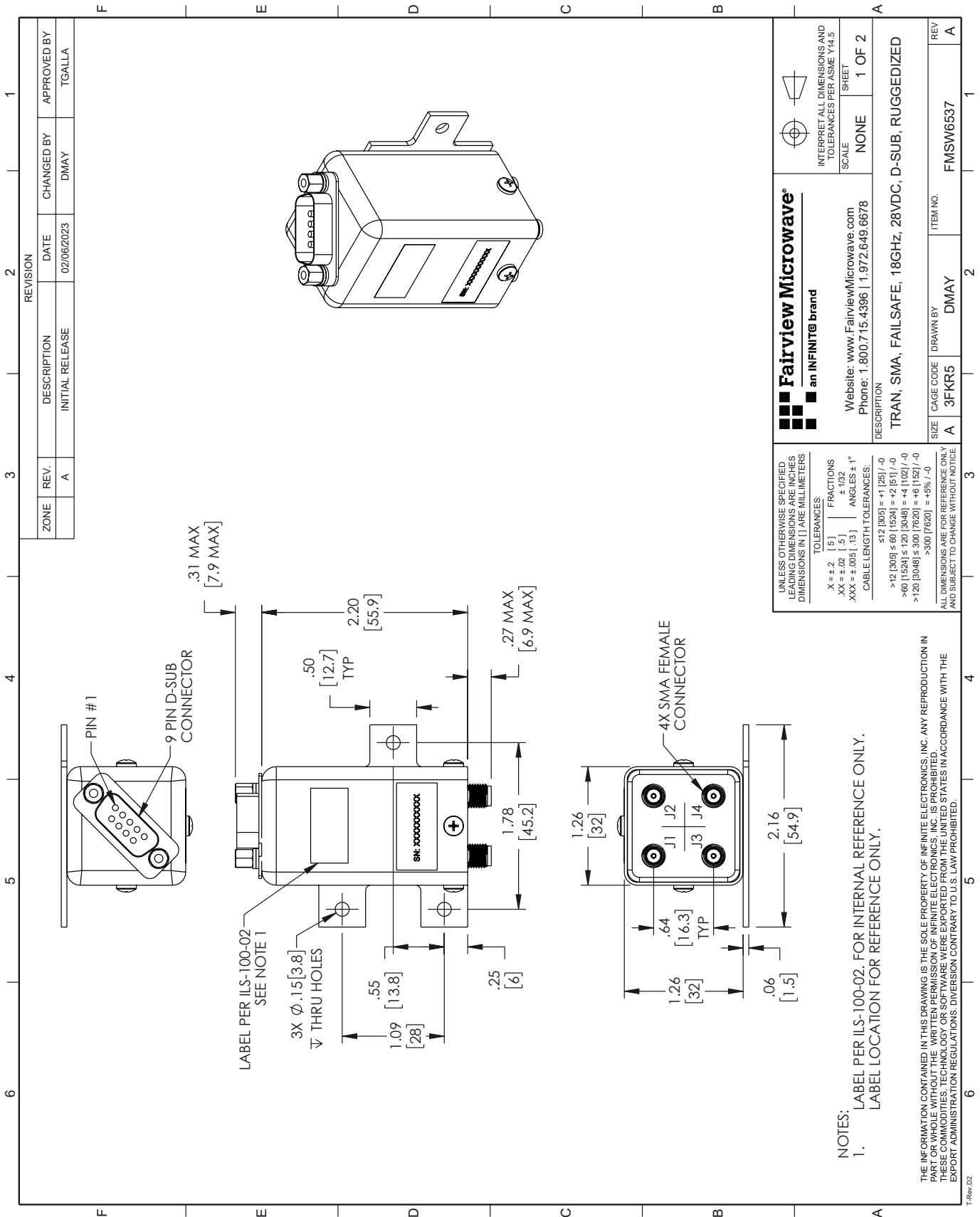
Transfer, IP64 Rated Electromechanical Relay Failsafe Switch, DC to 18 GHz, 90W, 24VDC, SMA from Fairview Microwave is in-stock and available to ship same-day. All of our RF/microwave products are available off-the-shelf from our ISO 9001:2008 certified facilities in Lewisville, Texas. Fairview Microwave is RF on-demand.

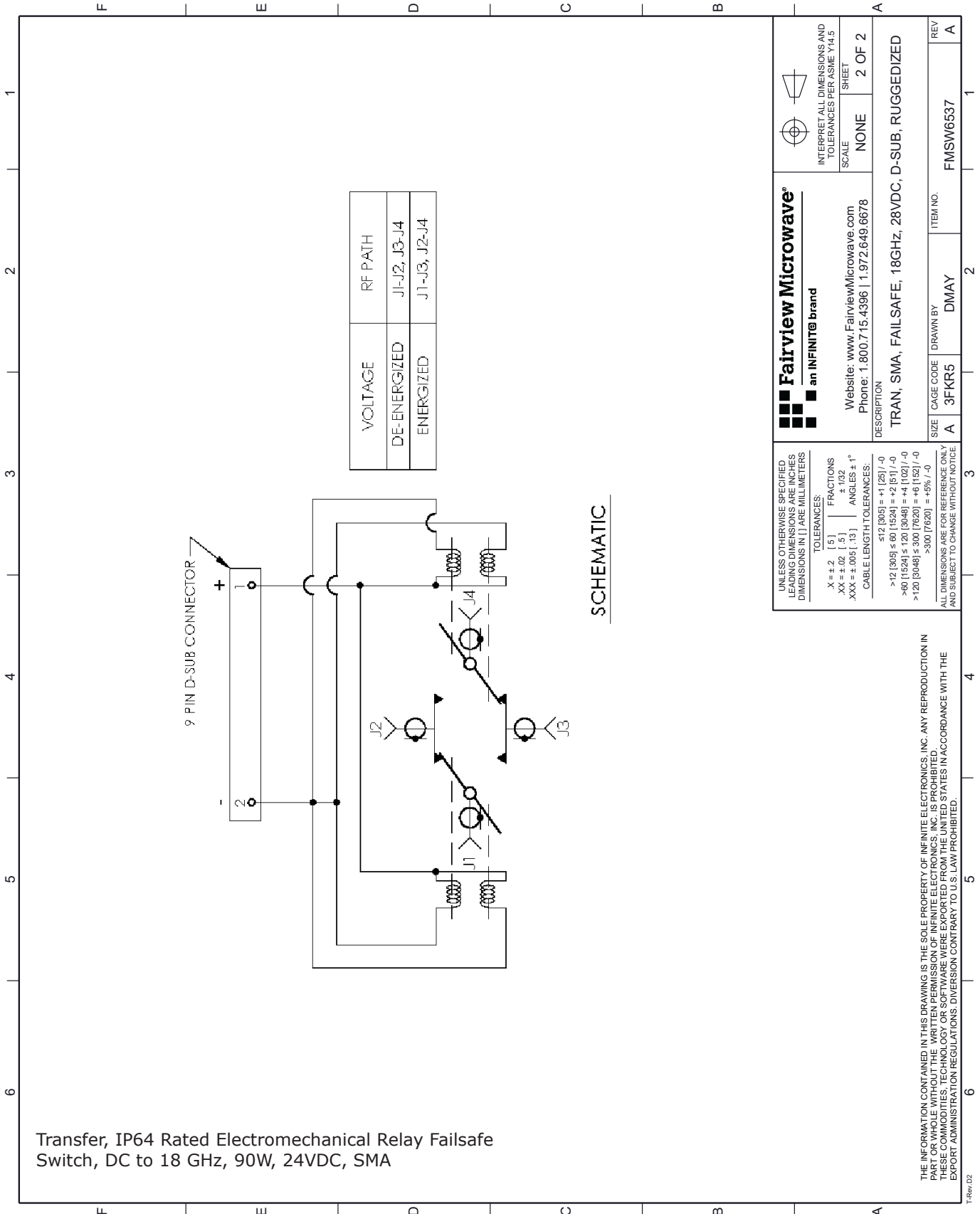
For additional information on this product, please click the following link: [Transfer, IP64 Rated Electromechanical Relay Failsafe Switch, DC to 18 GHz, 90W, 24VDC, SMA FMSW6537](#)

URL: <https://www.fairviewmicrowave.com/transfer-failsafe-18-ghz-electro-mechanical-relay-switch-sma-fmsw6537-p.aspx>

The information contained in this document is accurate to the best of our knowledge and representative of the part described herein. It may be necessary to make modifications to the part and/or the documentation of the part, in order to implement improvements. Fairview Microwave reserves the right to make such changes as required. Unless otherwise stated, all specifications are nominal. Fairview Microwave does not make any representation or warranty regarding the suitability of the part described herein for any particular purpose, and Fairview Microwave does not assume any liability arising out of the use of any part or documentation.







Transfer, IP64 Rated Electromechanical Relay Failsafe Switch, DC to 18 GHz, 90W, 24VDC, SMA

<p>Fairview Microwave® an INFINITE® brand</p> <p>Website: www.FairviewMicrowave.com Phone: 1.800.715.4396 1.972.649.6678</p>	<p>INTERPRET ALL DIMENSIONS AND TOLERANCES PER ASME Y14.5</p>
	<p>SCALE: NONE</p> <p>SHEET: 2 OF 2</p>
<p>DESCRIPTION: TRAN, SMA, FAILSAFE, 18GHZ, 28VDC, D-SUB, RUGGEDIZED</p>	
<p>SIZE: A</p> <p>CAGE CODE: 3FKR5</p> <p>DRAWN BY: DMAY</p> <p>ITEM NO.: FMSW6537</p>	<p>REV: A</p>

UNLESS OTHERWISE SPECIFIED, LEADING DIMENSIONS ARE INCHES AND DIMENSIONS IN [] ARE MILLIMETERS.

TOLERANCES:

.X = ±.2	[.5]	FRACTIONS
.XX = ±.02	[.5]	±.132
.XXX = ±.005	[.13]	ANGLES ± 1°

CABLE LENGTH TOLERANCES:

512 [305]	= +1 [25] / -0
>12 [305]	≤ 60 [1524] = +2 [51] / -0
>60 [1524]	≤ 120 [3048] = +4 [102] / -0
>120 [3048]	≤ 300 [7620] = +6 [152] / -0
>300 [7620]	= +5% / -0

ALL DIMENSIONS ARE FOR REFERENCE ONLY AND SUBJECT TO CHANGE WITHOUT NOTICE.

THE INFORMATION CONTAINED IN THIS DRAWING IS THE SOLE PROPERTY OF INFINITE ELECTRONICS, INC. ANY REPRODUCTION IN PART OR WHOLE WITHOUT THE WRITTEN PERMISSION OF INFINITE ELECTRONICS, INC. IS PROHIBITED. THESE COMMODITIES, TECHNOLOGY OR SOFTWARE WERE EXPORTED FROM THE UNITED STATES IN ACCORDANCE WITH THE EXPORT ADMINISTRATION REGULATIONS. DIVERSION CONTRARY TO U.S. LAW PROHIBITED.