

Instrumentation Grade WR-15 Waveguide Termination 1 Watt with a 50 GHz to 75 GHz Frequency Range in Copper

The FMW15TR0001 is a waveguide termination (load) that is part of a family of high performance loads with round flange per MIL-DTL-85. They are designed so that virtually all the applied power is absorbed, thus assuring a low VSWR. These standard terminations, offered in the Ka through W waveguide bands can dissipate 0.4 to 6 Watts of power depending on the specific band.

Electrical Specifications

Description	Min	Typ	Max	Units
Frequency Range	50		75	GHz
VSWR			1.2:1	
Input Power (CW)			1	Watt

Mechanical Specifications

Size	
Length	1.5 in [38.1 mm]
Width/Dia.	0.75 in [19.05 mm]
Height	0.75 in [19.05 mm]
Weight	0.033 lbs [14.97 g]

Description	Flange	Waveguide
Designation	UG-385/U	WR-15
Type	Round Cover	
Material	Copper	Copper
Plating	Gold	Gold

Compliance Certifications (see [product page](#) for current document)

Plotted and Other Data

Notes:



Features:

- WR-15 Waveguide
- 50 to 75 GHz Frequency Range
- UG-385/U Flange
- 1.20:1 Maximum VSWR
- 1 Watt Average Power Handling

Applications:

- Instrumentation
- Precision Measurements
- Prototyping and Characterization
- Production Systems

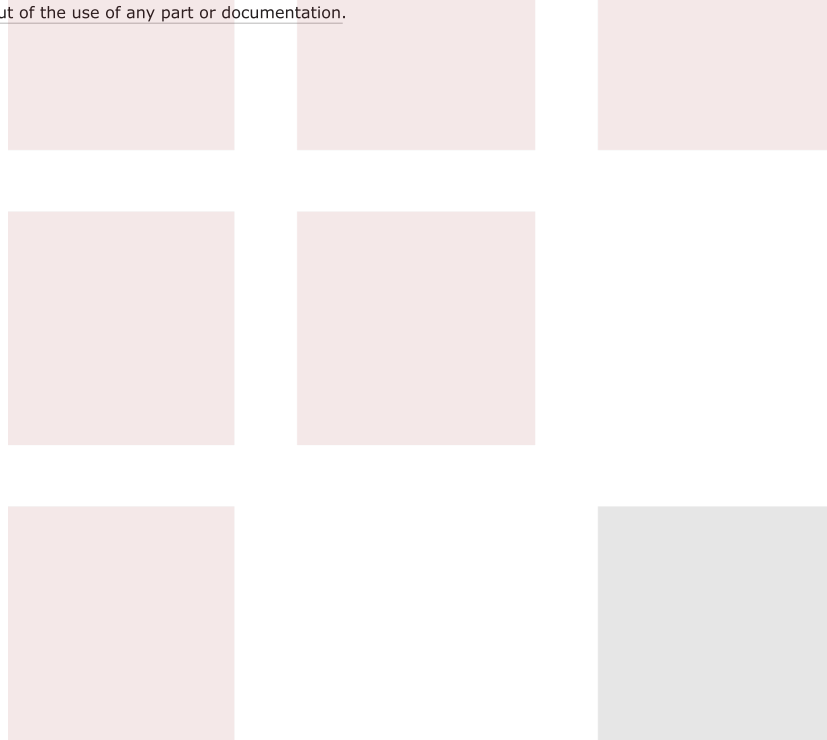
Fairview Microwave
301 Leora Ln., Suite 100
Lewisville, TX 75056
Tel: 1-800-715-4396 / (972) 649-6678
Fax: (972) 649-6689
www.fairviewmicrowave.com
sales@fairviewmicrowave.com

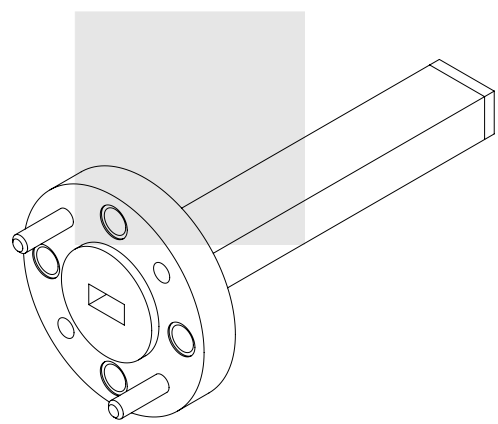
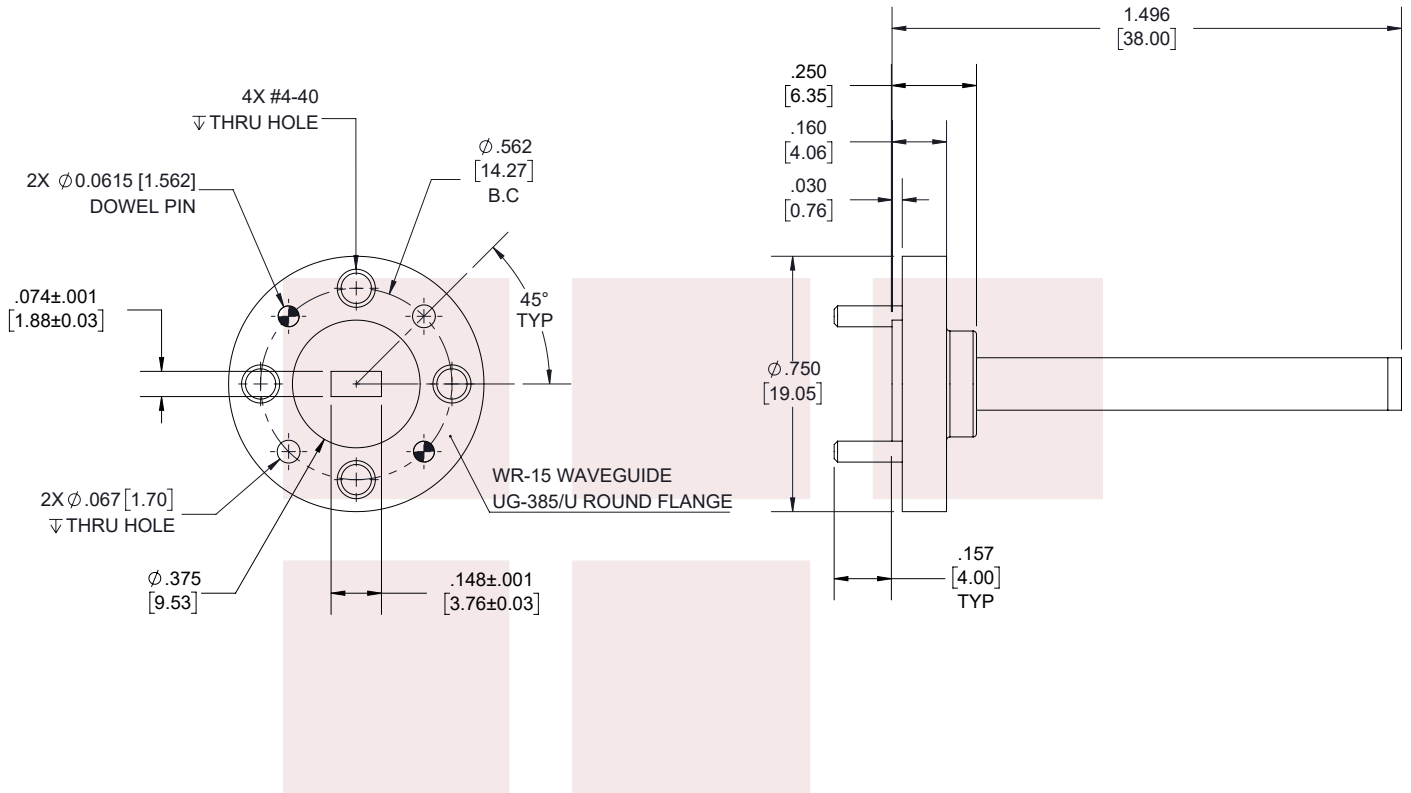
Instrumentation Grade WR-15 Waveguide Termination 1 Watt with a 50 GHz to 75 GHz Frequency Range in Copper from Fairview Microwave is in-stock and available to ship same-day. All of our RF/microwave products are available off-the-shelf from our ISO 9001:2008 certified facilities in Lewisville, Texas. Fairview Microwave is RF on-demand.

For additional information on this product, please click the following link: [Instrumentation Grade WR-15 Waveguide Termination 1 Watt with a 50 GHz to 75 GHz Frequency Range in Copper FMW15TR0001](#)

URL: <https://www.fairviewmicrowave.com/wr-15-waveguide-termination-1-watts-instrumentation-grade-50-75-ghz-fm-w15tr0001-p.aspx>

The information contained in this document is accurate to the best of our knowledge and representative of the part described herein. It may be necessary to make modifications to the part and/or the documentation of the part, in order to implement improvements. Fairview Microwave reserves the right to make such changes as required. Unless otherwise stated, all specifications are nominal. Fairview Microwave does not make any representation or warranty regarding the suitability of the part described herein for any particular purpose, and Fairview Microwave does not assume any liability arising out of the use of any part or documentation.





STANDARD TOLERANCES	
.X	\pm 0.2
.XX	\pm 0.01
.XXX	\pm 0.005

*STANDARD TOLERANCES APPLY ONLY TO DIMENSIONS IN INCHES

<p>Fairview Microwave an INFINIT[®] brand</p>	NOTES: 1. UNLESS OTHERWISE SPECIFIED ALL DIMENSIONS ARE NOMINAL. 2. ALL SPECIFICATIONS ARE SUBJECT TO CHANGE WITHOUT NOTICE AT ANY TIME. 3. DIMENSIONS ARE IN INCHES [mm].				
	DWG NO FMW15TR0001		CAGE CODE 3FKR5		
TITLE Instrumentation Grade WR-15 Waveguide Termination 1 Watt with a 50 GHz to 75 GHz Frequency Range in Copper	CAD FILE 07/25/19	SHEET 1 OF 1	SCALE N/A	SIZE A	7361