

**WR-19 Waveguide Continuously Variable Attenuator with Dial 0 to 30 dB Operating from 40 GHz to 60 GHz, UG-383/U-M Round Cover Flange**

Fairview Microwave's Continuously Variable Waveguide Attenuators are offered for the frequency range of 18 to 110 GHz in different waveguide bands. The attenuation value of the Continuously Variable attenuators are from 0 to 30 dB with full waveguide operational bandwidth. The Continuously Variable attenuators are equipped with a micrometer, which enables rapid re-setting. With calibrated charts, attenuators can be used as direct reading attenuator for bench top test set use. The level setting attenuators are typically used in the test setups and prototype assemblies where certain attenuation is required.



**Features:**

- 30 dB Attenuation Level
- Rotary Dial for Continuous Adjustments
- Frequency Range: 40 GHz to 60 GHz
- Typical VSWR 1.15:1
- Max Power Rating: 4 Watts (CW)

**Electrical Specifications\***

Description	Min	Typ	Max	Units
Frequency Range	40		60	GHz
Typical Attenuation Value	0		30	dB
Insertion Loss		0.3		dB
Input Power (CW)			4	Watts
VSWR		1.15:1		

Values at 25°C, sea level

**Mechanical Specifications**

**Flange 1**

Interface UG-383/U-M  
 Material Brass  
 Plating Gold

**Waveguide**

Interface WR-19  
 Material Copper  
 Plating Gold

**Flange 2**

Interface UG-383/U-M  
 Material Brass  
 Plating Gold

**Size**

Length 2.75 in [69.85 mm]  
 Width 1.375 in [34.93 mm]  
 Height 2.197 in [55.8 mm]  
 Weight 0.22 lbs [99.79 g]

**Compliance Certifications** (see [product page](#) for current document)

**Plotted and Other Data**

- Notes:
- Values at 25 °C, sea level

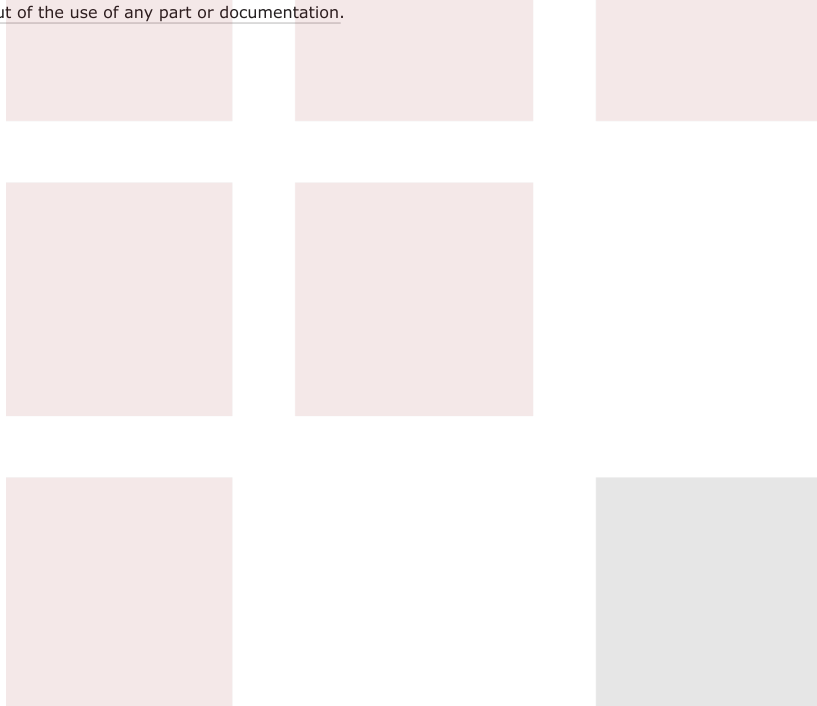
Fairview Microwave  
 301 Leora Ln., Suite 100  
 Lewisville, TX 75056  
 Tel: 1-800-715-4396 / (972) 649-6678  
 Fax: (972) 649-6689  
[www.fairviewmicrowave.com](http://www.fairviewmicrowave.com)  
[sales@fairviewmicrowave.com](mailto:sales@fairviewmicrowave.com)

WR-19 Waveguide Continuously Variable Attenuator with Dial 0 to 30 dB Operating from 40 GHz to 60 GHz, UG-383/U-M Round Cover Flange from Fairview Microwave is in-stock and available to ship same-day. All of our RF/microwave products are available off-the-shelf from our ISO 9001:2008 certified facilities in Lewisville, Texas. Fairview Microwave is RF on-demand.

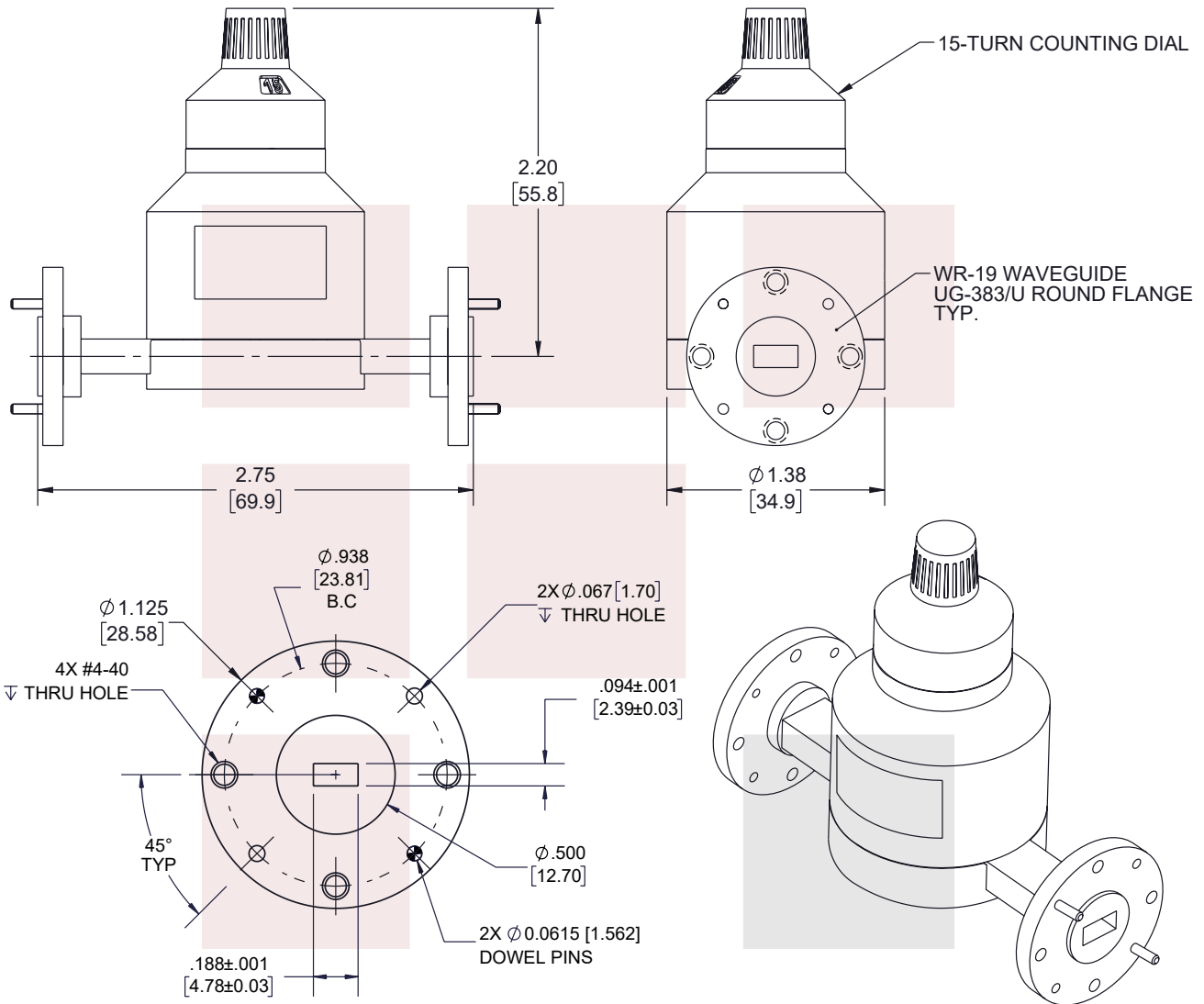
For additional information on this product, please click the following link: [WR-19 Waveguide Continuously Variable Attenuator with Dial 0 to 30 dB Operating from 40 GHz to 60 GHz, UG-383/U-M Round Cover Flange FMW19AT002-30](#)

URL: <https://www.fairviewmicrowave.com/wr-19-waveguide-continuously-variable-attenuator-30-db-ug383m-round-fmw19at002-30-p.aspx>

The information contained in this document is accurate to the best of our knowledge and representative of the part described herein. It may be necessary to make modifications to the part and/or the documentation of the part, in order to implement improvements. Fairview Microwave reserves the right to make such changes as required. Unless otherwise stated, all specifications are nominal. Fairview Microwave does not make any representation or warranty regarding the suitability of the part described herein for any particular purpose, and Fairview Microwave does not assume any liability arising out of the use of any part or documentation.



REVISIONS			
REV.	DESCRIPTION	DATE	APPROVED
A	INITIAL RELEASE	10/19/22	SPONG



LABEL:  
W19AT002-30  
DC: YYWW

THESE COMMODITIES, TECHNOLOGY OR SOFTWARE WERE EXPORTED FROM THE UNITED STATES IN ACCORDANCE WITH THE EXPORT ADMINISTRATION REGULATIONS. DIVERSION CONTRARY TO U.S. LAW PROHIBITED.

TITLE

WR-19 Waveguide Continuously Variable Attenuator with Dial 0 to 30 dB Operating from 40 GHz to 60 GHz, UG-383/U-M Round Cover Flange

UNLESS OTHERWISE SPECIFIED LEADING DIMENSIONS ARE INCHES  
DIMENSIONS IN [ ] ARE MILLIMETERS

TOLERANCES: CABLE LENGTH (L) TOLERANCES:

.X = ±.2 [5.08]	FRACTIONS	L ≤ 12 [305] = +1 [25] / -0
.XX = ±.02 [.51]	± 1/32	12 [305] < L ≤ 60 [1524] = +2 [51] / -0
.XXX = ±.005 [.13]	ANGLES ± 1°	60 [1524] < L ≤ 120 [3048] = +4 [102] / -0
		120 [3048] < L ≤ 300 [7620] = +6 [152] / -0
		300 [7620] < L = +5%L / -0

THIRD-ANGLE PROJECTION



THE INFORMATION AND DESIGN IN THIS DOCUMENT IS THE PROPERTY OF FAIRVIEW MICROWAVE CORPORATION. ALL RIGHTS RESERVED.

SHEET 1 OF 1

SCALE N/A

ALL DIMENSIONS SHOWN ARE FOR REFERENCE ONLY.

SIZE A	CAGE CODE 3FKR5	DRAWN BY HBAKKE	ITEM NO. FMW19AT002-30	REV A
-----------	--------------------	--------------------	---------------------------	----------

T-Rev.D