

**WR-10 Waveguide Bulkhead Adapter Using UG-387/U-Mod Round Cover Flange and Operating from 75 GHz to 110 GHz**

The Fairview Microwave series of rectangular waveguide bulkhead flange mount adapters are offered to cover frequency range of 18 to 110 GHz in seven waveguide bands. The transitions are used for waveguide interface in panel mount equipment. A hole is made in the panel and the adapter is mounted to the panel with screws. Once mounted, waveguides with UG-387/U-Mod flanges can be attached to the adapter on both sides of the bulkhead adapter to allow a signal path through the panel. The FMWAD5000 is a bulkhead adapter for WR-10 waveguides with UG-387/U-Mod flanges.

**Electrical Specifications**

Description	Min	Typ	Max	Units
Frequency Range	75		110	GHz

**Mechanical Specifications**

Description	Flange 1	Waveguide	Flange 2
Type	Round Cover	WR-10	Round Cover
Designation	UG-387/U-Mod		UG-387/U-Mod
Material	Brass	Brass	Brass
Plating	Gold	Gold	Gold
Plating Spec.	ASTMB488	ASTMB488	ASTMB488

**Compliance Certifications** (visit [www.FairviewMicrowave.com](http://www.FairviewMicrowave.com) for current document)

RoHS Compliant	Yes
REACH Compliant	12/17/2015

**Plotted and Other Data**

Notes:

WR-10 Waveguide Bulkhead Adapter Using UG-387/U-Mod Round Cover Flange and Operating from 75 GHz to 110 GHz from Fairview Microwave is in-stock and available to ship same-day. All of our RF/microwave products are available off-the-shelf from our ISO 9001:2008 certified facilities in Allen, Texas. Fairview Microwave is RF on-demand.

For additional information on this product, please click the following link: [WR-10 Waveguide Bulkhead Adapter Using UG-387/U-Mod Round Cover Flange and Operating from 75 GHz to 110 GHz FMWAD5000](#)

URL: <https://www.fairviewmicrowave.com/wr-10-waveguide-bulkhead-adapter-ug387-mod-round-110-ghz-fmwad5000-p.aspx>

The information contained in this document is accurate to the best of our knowledge and representative of the part described herein. It may be necessary to make modifications to the part and/or the documentation of the part, in order to implement improvements. Fairview Microwave reserves the right to make such changes as required. Unless otherwise stated, all specifications are nominal. Fairview Microwave does not make any representation or warranty regarding the suitability of the part described herein for any particular purpose, and Fairview Microwave does not assume any liability arising out of the use of any part or documentation.



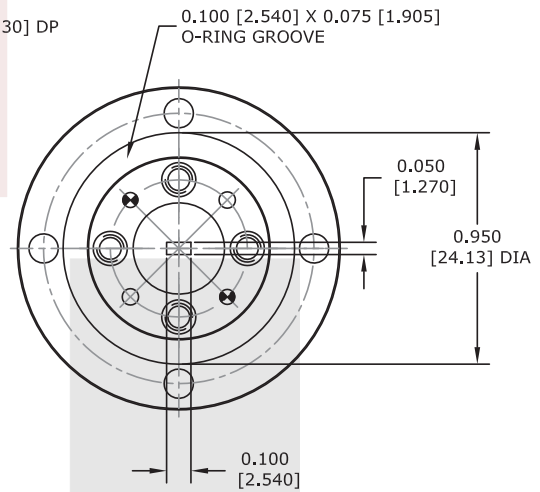
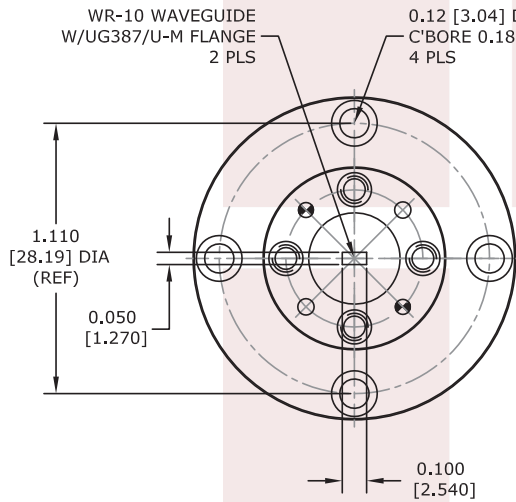
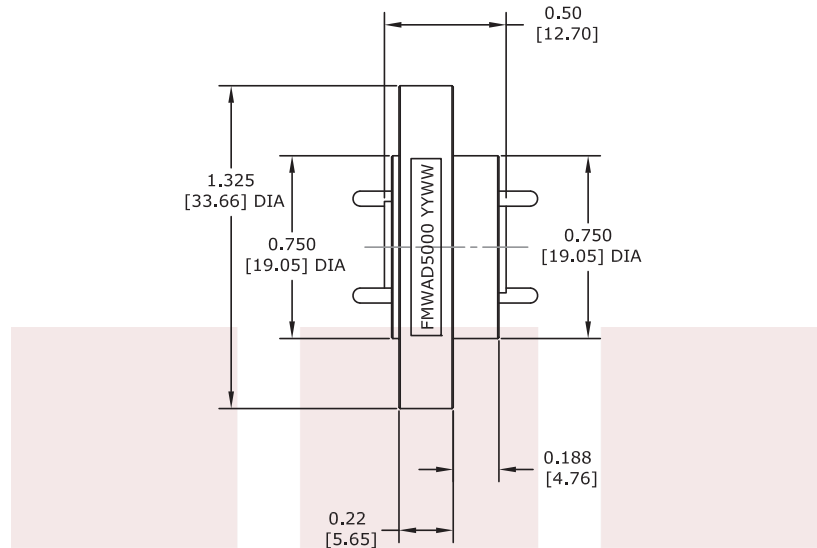
**Features:**

- Bulkhead adapter for WR-10
- Mounted to the panel with screws
- Gold Plated Finish
- Precision manufactured
- Flanges grooved to receive gaskets

**Applications:**

- Test Instrumentation
- Sub-Assemblies
- Military and Space
- R&D labs
- Communications Systems

Fairview Microwave  
 1130 Junction Dr. #100  
 Allen, TX 75013  
 Tel: 1-800-715-4396 / (972) 649-6678  
 Fax: (972) 649-6689  
[www.fairviewmicrowave.com](http://www.fairviewmicrowave.com)  
[sales@fairviewmicrowave.com](mailto:sales@fairviewmicrowave.com)



UNLESS OTHERWISE SPECIFIED:  
DIMENSIONS ARE IN: Inches [mm]  
TOLERANCES ARE:  
DECIMALS ANGLES FRACTIONS  
.XX ±.01 ±1/2° ± 1/64  
[±.25] [± 127/320]  
.XXX ±.005  
[±.127]

**NOTE:**  
O-RING INSIDE DIAMETER: 0.750" [19.050]  
O-RING WIDTH: 3/32" [2.38]

\* THESE DIMENSIONS AND TOLERANCES SUPERSEDE NOTE #1 ON TITLE BLOCK.

<b>FAIRVIEW MICROWAVE INC.</b> ALLEN, TX 75013 WWW.FAIRVIEWMICROWAVE.COM		NOTES: 1. UNLESS OTHERWISE SPECIFIED ALL DIMENSIONS ARE NOMINAL. 2. ALL SPECIFICATIONS ARE SUBJECT TO CHANGE WITHOUT NOTICE AT ANY TIME. 3. DIMENSIONS ARE IN INCHES [mm].			
TITLE WR-10 Waveguide Bulkhead Adapter Using UG-387/U-Mod Round Cover Flange and Operating from 75 GHz to 110 GHz	DWG NO FMWAD5000	CAGE CODE 3FKR5			
CAD FILE 052416	SHEET	SCALE N/A	SIZE A	2233	