

**WR-28 Waveguide Bulkhead Adapter Using UG-599/U Square Cover Flange and Operating from 26.5 GHz to 40 GHz**

The Fairview Microwave FMWAD5008 is a WR-28 rectangular waveguide bulkhead adapters operating within the Ka Band frequency range of 26.5 GHz to 40 GHz. The WR-28 bulkhead adapters are used for waveguide interface in panel mount equipment or pressurized test chamber. A hole is made in the panel wall or bulkhead and the adapter is mounted to the panel with screws and a backing ring that is complete with Neoprene gasket (both included). Once securely mounted, waveguides with a Square Cover UG-599/U flange can be attached to the adapter on both sides of the bulkhead feedthrough to allow a signal path through the panel. This Fairview Microwave series of rectangular waveguide bulkhead feedthrough adapters are offered to cover frequency range of 5.85 GHz to 50 GHz in 9 waveguide bands and are ready to ship same day.

**Electrical Specifications**

Description	Min	Typ	Max	Units
Frequency Range	26.5		40	GHz
VSWR		1.03:1		

**Mechanical Specifications**

Size	
Length	3 in [76.2 mm]
Width/Dia.	3 in [76.2 mm]
Weight	0.7425 lbs [336.79 g]

Description	Flange 1	Waveguide	Flange 2
Type	Square Cover	WR-28	Square Cover
Designation	UG-599/U		UG-599/U
Material	Brass	Brass	Brass

**Compliance Certifications** (see [product page](#) for current document)

**Plotted and Other Data**

Notes:



**Features:**

- Bulkhead adapter for WR-28
- UG-599/U Square Cover Flange
- Ka Band 26.5 to 40 GHz
- Mounted to panel with backing ring
- Neoprene Gasket
- Precision manufactured
- Painted Brass Construction
- Stainless steel screws included

**Applications:**

- Test Instrumentation
- Sub-Assemblies
- Military and Space
- R&D labs
- Communications Systems

Fairview Microwave  
 1130 Junction Dr. #100  
 Allen, TX 75013  
 Tel: 1-800-715-4396 / (972) 649-6678  
 Fax: (972) 649-6689  
[www.fairviewmicrowave.com](http://www.fairviewmicrowave.com)  
[sales@fairviewmicrowave.com](mailto:sales@fairviewmicrowave.com)

**Typical Performance Data**

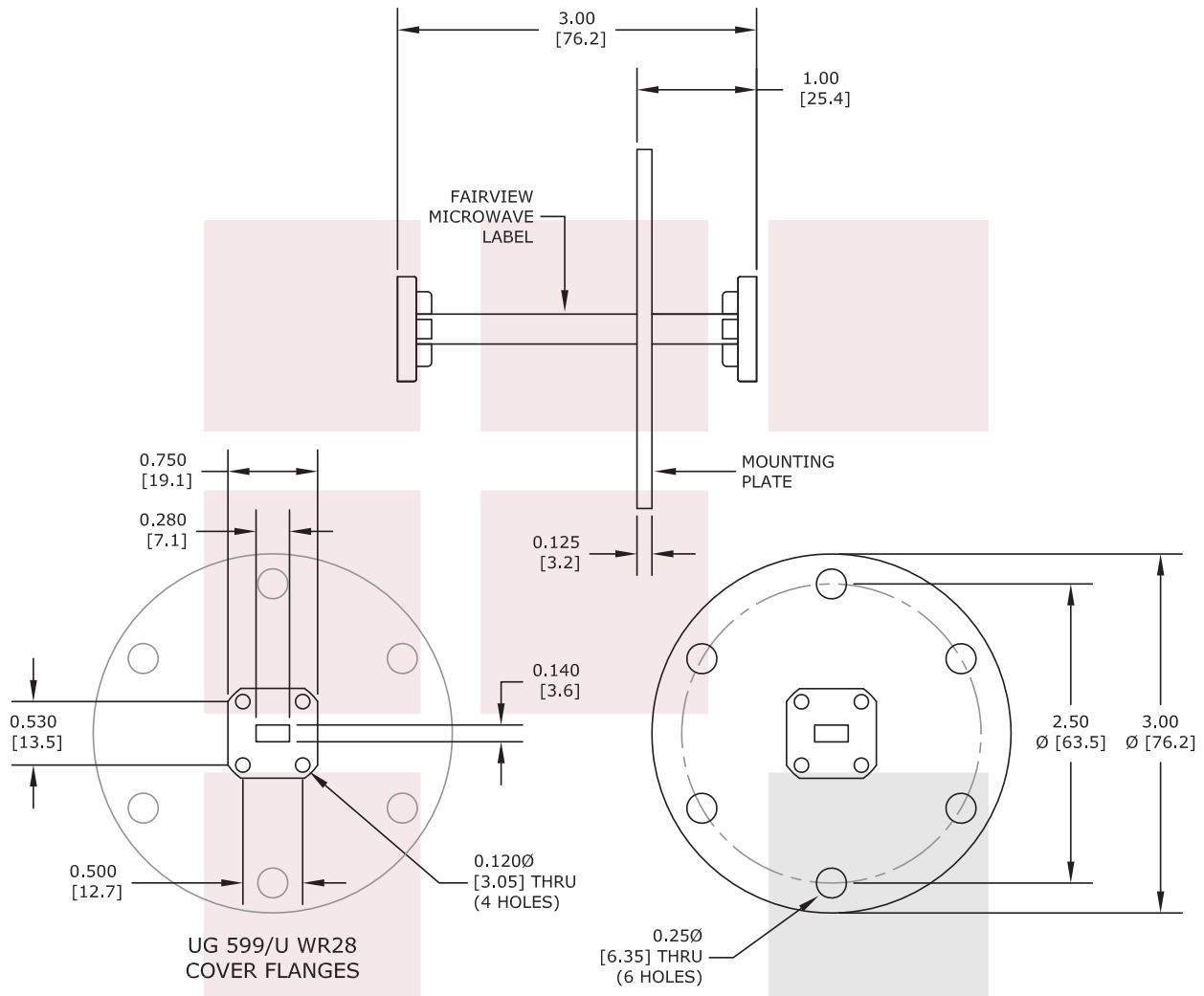


WR-28 Waveguide Bulkhead Adapter Using UG-599/U Square Cover Flange and Operating from 26.5 GHz to 40 GHz from Fairview Microwave is in-stock and available to ship same-day. All of our RF/microwave products are available off-the-shelf from our ISO 9001:2008 certified facilities in Allen, Texas. Fairview Microwave is RF on-demand.

For additional information on this product, please click the following link: [WR-28 Waveguide Bulkhead Adapter Using UG-599/U Square Cover Flange and Operating from 26.5 GHz to 40 GHz FMWAD5008](https://www.fairviewmicrowave.com/wr-28-waveguide-bulkhead-adapter-ug599-square-40-ghz-fmwad5008-p.aspx)

URL: <https://www.fairviewmicrowave.com/wr-28-waveguide-bulkhead-adapter-ug599-square-40-ghz-fmwad5008-p.aspx>

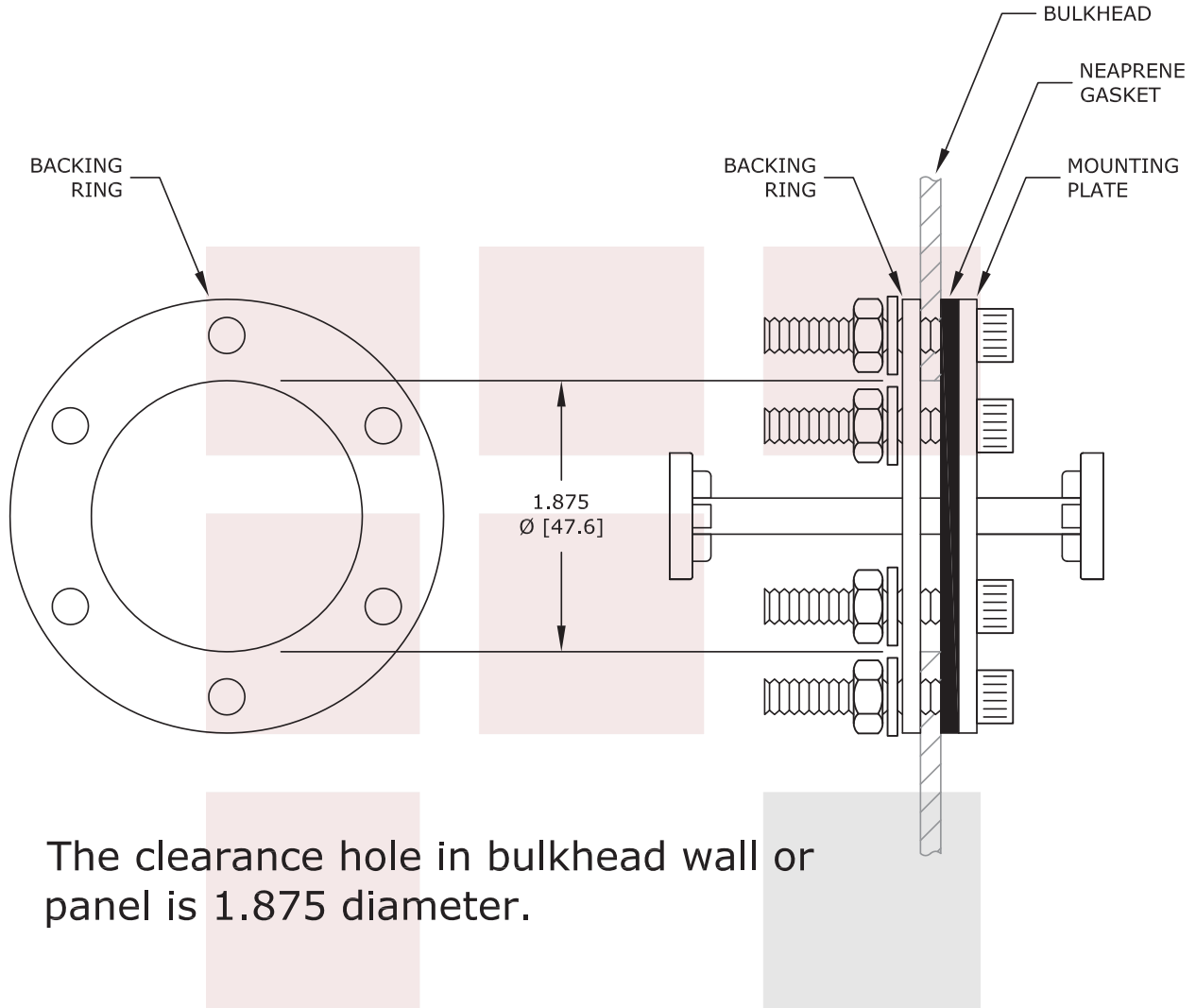
The information contained in this document is accurate to the best of our knowledge and representative of the part described herein. It may be necessary to make modifications to the part and/or the documentation of the part, in order to implement improvements. Fairview Microwave reserves the right to make such changes as required. Unless otherwise stated, all specifications are nominal. Fairview Microwave does not make any representation or warranty regarding the suitability of the part described herein for any particular purpose, and Fairview Microwave does not assume any liability arising out of the use of any part or documentation.



STANDARD TOLERANCES	
.X	±0.2
.XX	±0.1
.XXX	±0.05

\*STANDARD TOLERANCES APPLY ONLY TO DIMENSIONS IN INCHES

<b>FAIRVIEW MICROWAVE INC.</b> ALLEN, TX 75013 WWW.FAIRVIEWMICROWAVE.COM		NOTES: 1. UNLESS OTHERWISE SPECIFIED ALL DIMENSIONS ARE NOMINAL. 2. ALL SPECIFICATIONS ARE SUBJECT TO CHANGE WITHOUT NOTICE AT ANY TIME. 3. DIMENSIONS ARE IN INCHES [mm].			
TITLE WR-28 Waveguide Bulkhead Adapter Using UG-599/U Square Cover Flange and Operating from 26.5 GHz to 40 GHz	DWG NO FMWAD5008	CAGE CODE 3FKR5			
CAD FILE 011317	SHEET	SCALE N/A	SIZE A	2233	



The clearance hole in bulkhead wall or panel is 1.875 diameter.

STANDARD TOLERANCES	
.X	±0.2
.XX	±0.1
.XXX	±0.05

\*STANDARD TOLERANCES APPLY ONLY TO DIMENSIONS IN INCHES

<b>FAIRVIEW MICROWAVE INC.</b> ALLEN, TX 75013 WWW.FAIRVIEWMICROWAVE.COM		NOTES: 1. UNLESS OTHERWISE SPECIFIED ALL DIMENSIONS ARE NOMINAL. 2. ALL SPECIFICATIONS ARE SUBJECT TO CHANGE WITHOUT NOTICE AT ANY TIME. 3. DIMENSIONS ARE IN INCHES [mm].			
TITLE WR-28 Waveguide Bulkhead Adapter Using UG-599/U Square Cover Flange and Operating from 26.5 GHz to 40 GHz	DWG NO FMWAD5008	CAGE CODE 3FKR5			
CAD FILE 011317	SHEET	SCALE N/A	SIZE A	2233	