

Wide Angle Scalar Feed Horn Waveguide Antenna, WR-10, 89 GHz to 99 GHz, UG-385/U-Mod Round Cover Flange, 10 dBi Nominal Gain

Waveguide wide angle scalar feed horn antennas are used in a wide variety of applications due to their high power handling capability, low loss, high directivity, and near constant electrical performance across a broad bandwidth. Fairview Microwave's FMWAN1073 WR-10 waveguide wide angle scalar feed horn antenna operating from 94 GHz center frequency with a nominal 10 dBi gain is part of our full line of RF components available for same-day shipping. This Fairview Microwave circular horn antenna has a gold plated brass body and a precision tolerance UG-385/U-Mod round cover flange. The FMWAN1073 WR-10 waveguide wide angle scalar feed horn antenna offers low gain variation across its operating frequency range.

Configuration

Design	WR-10 Wide Angle Scalar Feed Horn
Pattern	Directional
Polarization	Linear

Electrical Specifications

Description	Min	Typ	Max	Units
Frequency Range	89		99	GHz
Nominal Gain		10		dBi
Horizontal 3dB Beam Width		56		Deg
Vertical 3dB Beam Width		55		Deg
VSWR		1.15:1		

Mechanical Specifications

Size	
Length	1.16 in [29.46 mm]
Width/Diameter	0.75 in [19.05 mm]
Height	0.75 in [19.05 mm]
Weight	0.055 lbs [24.95 g]

Waveguide Interface

Waveguide Size	WR-10
Flange Type	Round Cover
Flange Designation	UG-385/U-Mod
Body Material and Plating	Brass, Gold

z

Compliance Certifications (see [product page](#) for current document)

Plotted and Other Data

Notes:



Features:

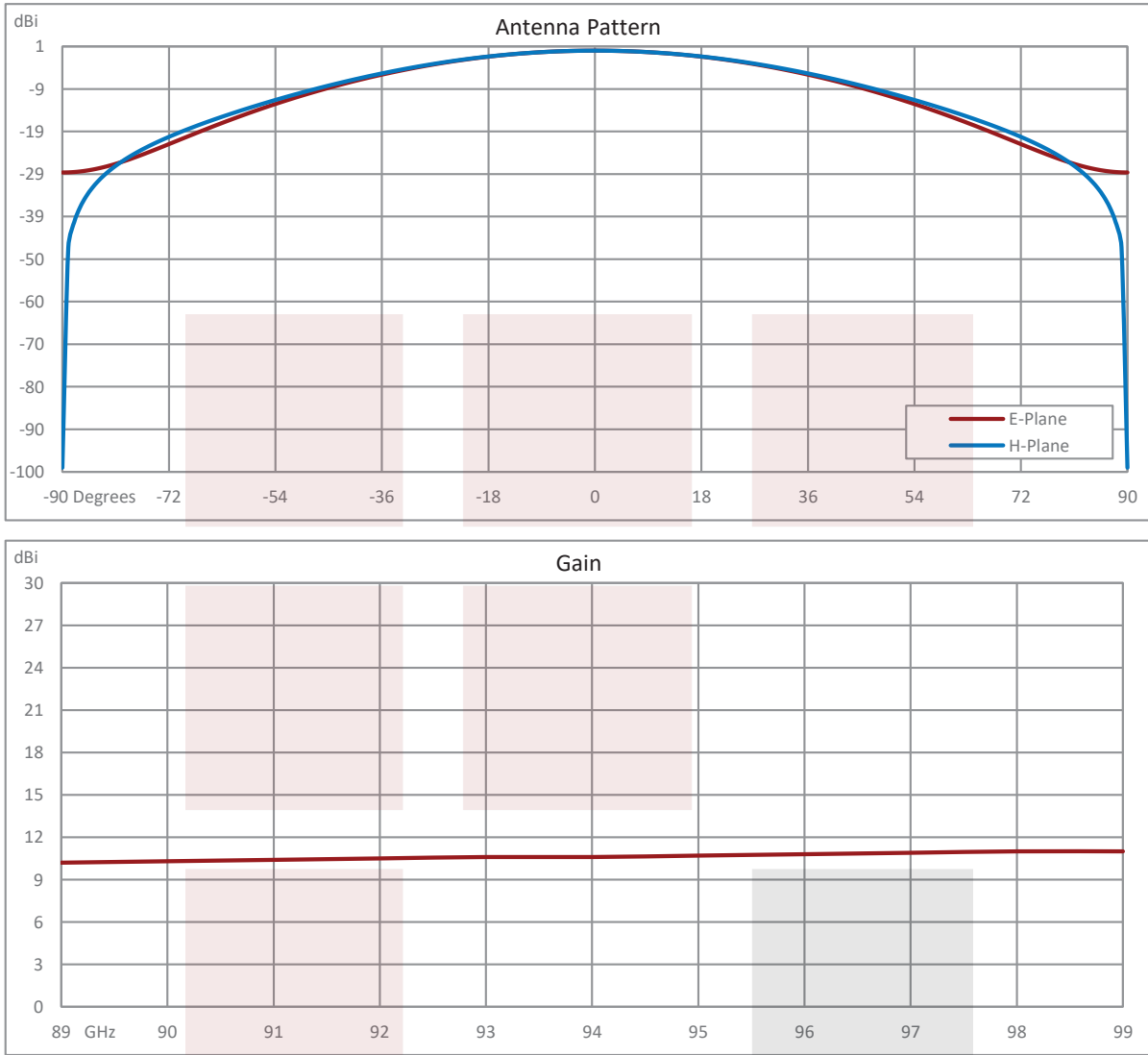
- Rectangular Waveguide Interface
- 94 GHz center frequency
- 10 dBi Nominal Gain
- UG-385/U-Mod Round Cover Flange

Applications:

- Antenna Measurements
- Wireless Communication
- Laboratory Use
- Microwave Radio Systems

Fairview Microwave
301 Leora Ln., Suite 100
Lewisville, TX 75056
Tel: 1-800-715-4396 / (972) 649-6678
Fax: (972) 649-6689
www.fairviewmicrowave.com
sales@fairviewmicrowave.com

Typical Performance Data

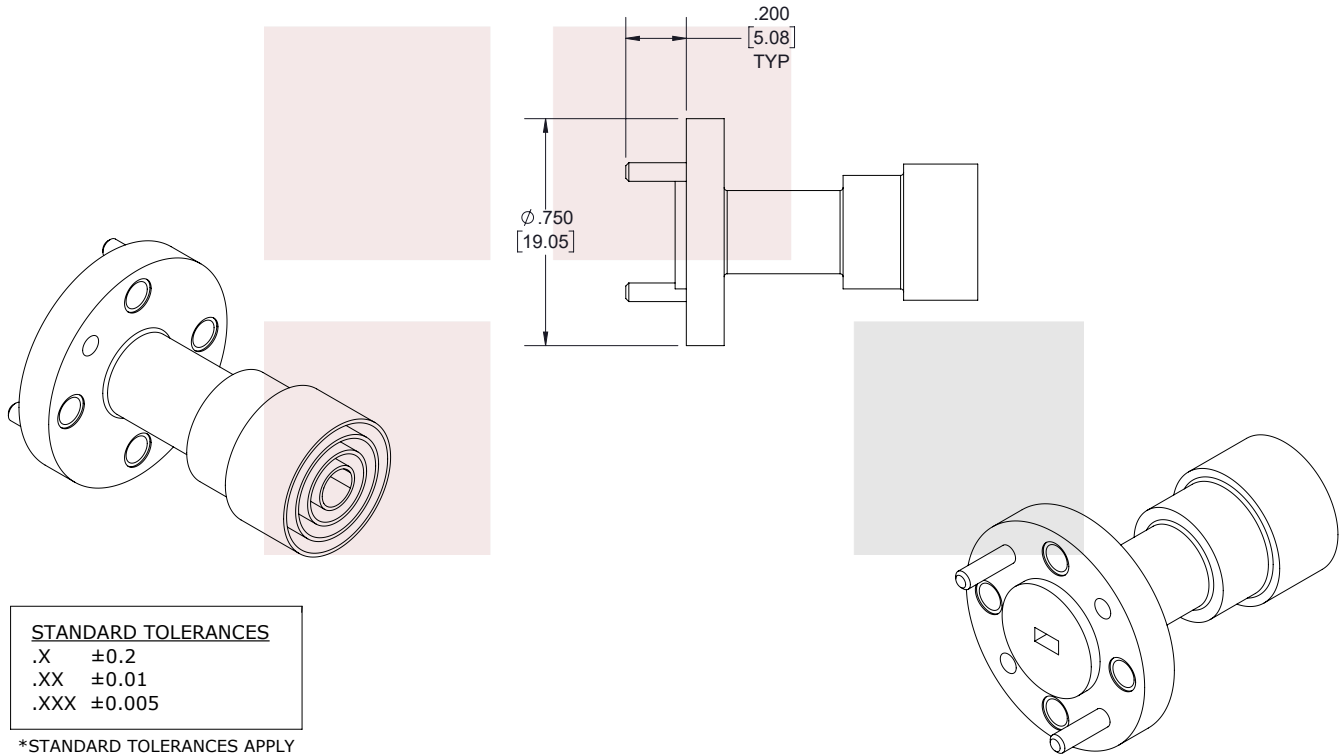
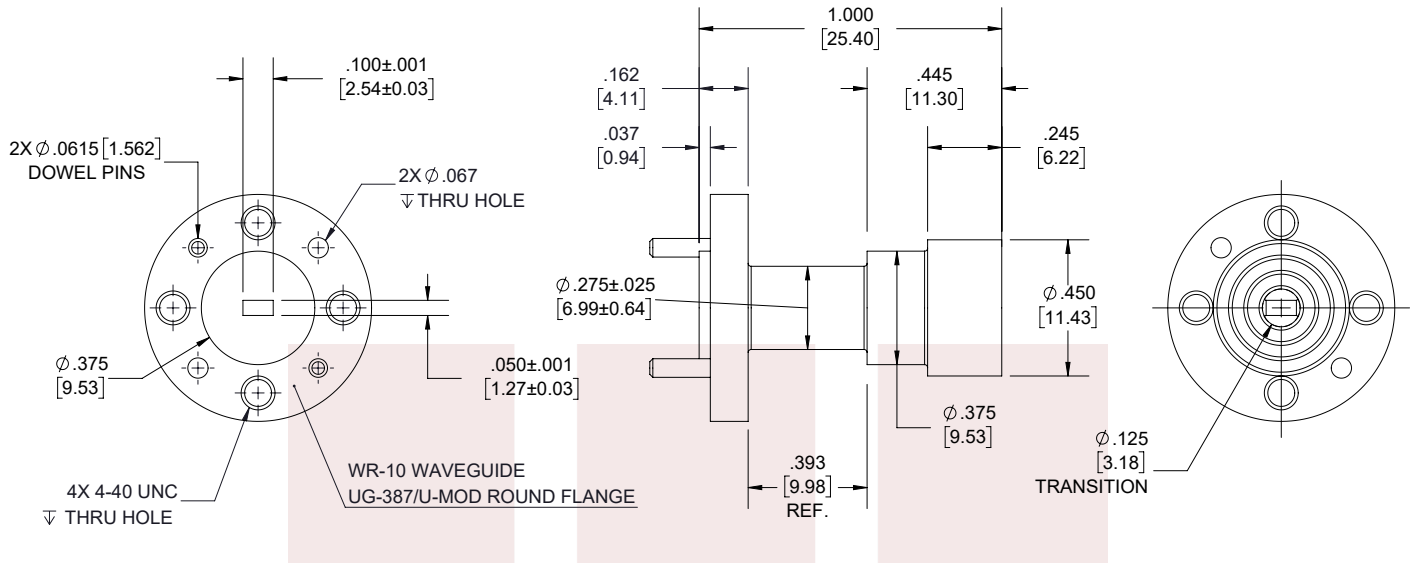


Wide Angle Scalar Feed Horn Waveguide Antenna, WR-10, 89 GHz to 99 GHz, UG-385/U-Mod Round Cover Flange, 10 dBi Nominal Gain from Fairview Microwave is in-stock and available to ship same-day. All of our RF/microwave products are available off-the-shelf from our ISO 9001:2008 certified facilities in Allen, Texas. Fairview Microwave is RF on-demand.

For additional information on this product, please click the following link: [Wide Angle Scalar Feed Horn Waveguide Antenna, WR-10, 89 GHz to 99 GHz, UG-385/U-Mod Round Cover Flange, 10 dBi Nominal Gain FMWAN1073](#)

URL: <https://www.fairviewmicrowave.com/wr-10-waveguide-standard-gain-horn-10-dbi-ug-385-mod-fmwan1073-p.aspx>

The information contained in this document is accurate to the best of our knowledge and representative of the part described herein. It may be necessary to make modifications to the part and/or the documentation of the part, in order to implement improvements. Fairview Microwave reserves the right to make such changes as required. Unless otherwise stated, all specifications are nominal. Fairview Microwave does not make any representation or warranty regarding the suitability of the part described herein for any particular purpose, and Fairview Microwave does not assume any liability arising out of the use of any part or documentation.



STANDARD TOLERANCES	
.X	±0.2
.XX	±0.01
.XXX	±0.005

*STANDARD TOLERANCES APPLY ONLY TO DIMENSIONS IN INCHES

<p>Fairview Microwave RF COMPONENTS ON DEMAND. <i>Done!</i></p>	NOTES: 1. UNLESS OTHERWISE SPECIFIED ALL DIMENSIONS ARE NOMINAL. 2. ALL SPECIFICATIONS ARE SUBJECT TO CHANGE WITHOUT NOTICE AT ANY TIME. 3. DIMENSIONS ARE IN INCHES [mm].				
	DWG NO FMWAN1073		CAGE CODE 3FKR5		
	CAD FILE 02/22/19	SHEET 1 OF 1	SCALE N/A	SIZE A	7361

Wide Angle Scalar Feed Horn Waveguide Antenna, WR-10, 89 GHz to 99 GHz, UG-385/U-Mod Round Cover Flange, 10 dBi Nominal Gain