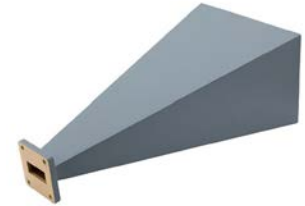


WR-112 Waveguide Antenna With 20 dBi Gain and 7.05 GHz to 10 GHz

The FMWAN112-20 standard gain horn antenna (also known as waveguide horn) from Fairview Microwave has a nominal gain of 20 dBi. The Fairview Microwave 20 dBi WR-112 horn antenna operates from 7.05 GHz to 10 GHz (H Band). This WR-112 standard gain horn has a Square Cover type flange. Waveguide standard gain horn antennas are used in a wide variety of applications due to their high power handling capability, low loss, high directivity, and near constant electrical performance. These units are Aluminum and Powder coated for increased resistance to weather and corrosion with a Horizontal and Vertical Beam Width of 17.5 and 17.3 degrees respectively. Fairview Microwave's WR-112 standard gain horns are available in 10, 15 and 20 dBi models with pyramidal shape and rectangular input. H Band standard gain horn antenna can ship the same day to anywhere in the world. The WR-112 FMWAN112-20 waveguide horn is part of over 40,000 RF, microwave and millimeter wave components available from Fairview Microwave.



Features:

- WR-112 Rectangular Waveguide Interface
- 7.05 GHz to 10 GHz
- 20 dBi Nominal Gain
- Square Cover Cover Flange
- H Band

Applications:

- Antenna Measurements
- Wireless Communication
- Laboratory Use
- Microwave Radio Systems

Configuration

| | |
|--------------|--------|
| Design | WR-112 |
| Polarization | Linear |

Electrical Specifications

| Description | Min | Typ | Max | Units |
|---------------------------|------|-------|-----|-------|
| Frequency Range | 7.05 | | 10 | GHz |
| Nominal Gain | | 20 | | dB |
| Horizontal 3dB Beam Width | | 17.5 | | Deg |
| Vertical 3dB Beam Width | | 17.3 | | Deg |
| VSWR | | 1.3:1 | | |

Mechanical Specifications

| | |
|----------------|-----------------------|
| Size | |
| Length | 11.417 in [289.99 mm] |
| Width/Diameter | 5.487 in [139.37 mm] |
| Height | 4.071 in [103.4 mm] |
| Weight | 3 lbs [1.36 kg] |

Waveguide Interface

| | |
|---------------------------|----------------|
| Waveguide Size | WR-112 |
| Flange Type | Square Cover |
| Body Material and Plating | Aluminum, Gray |

z

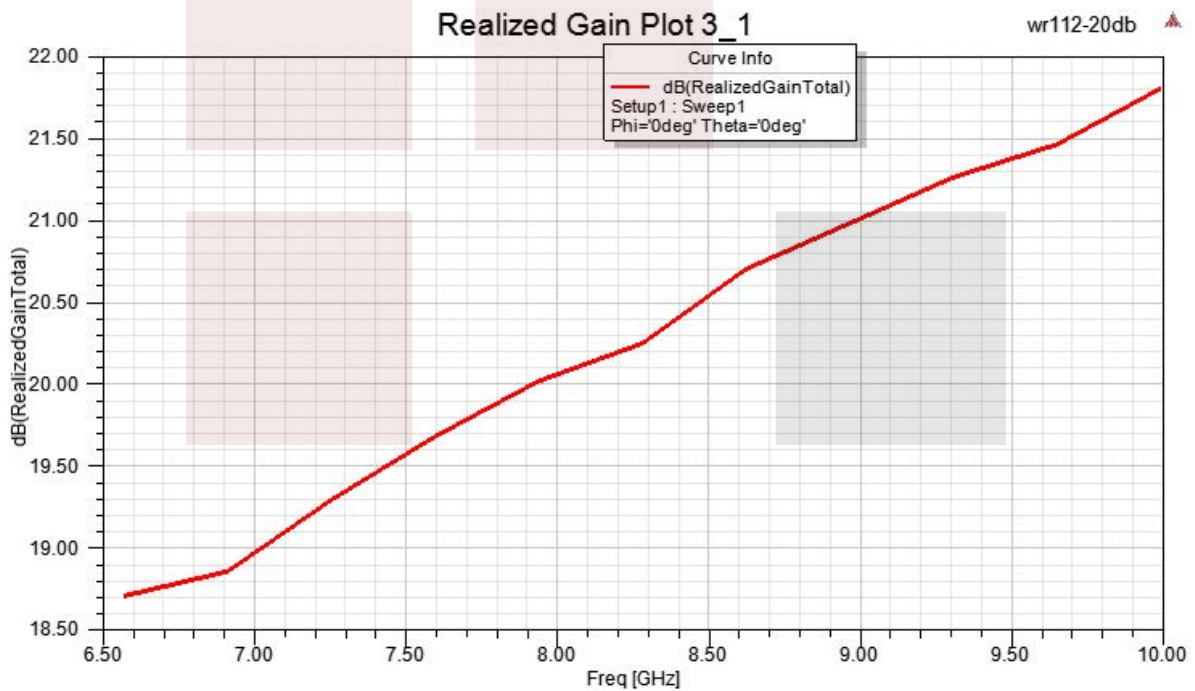
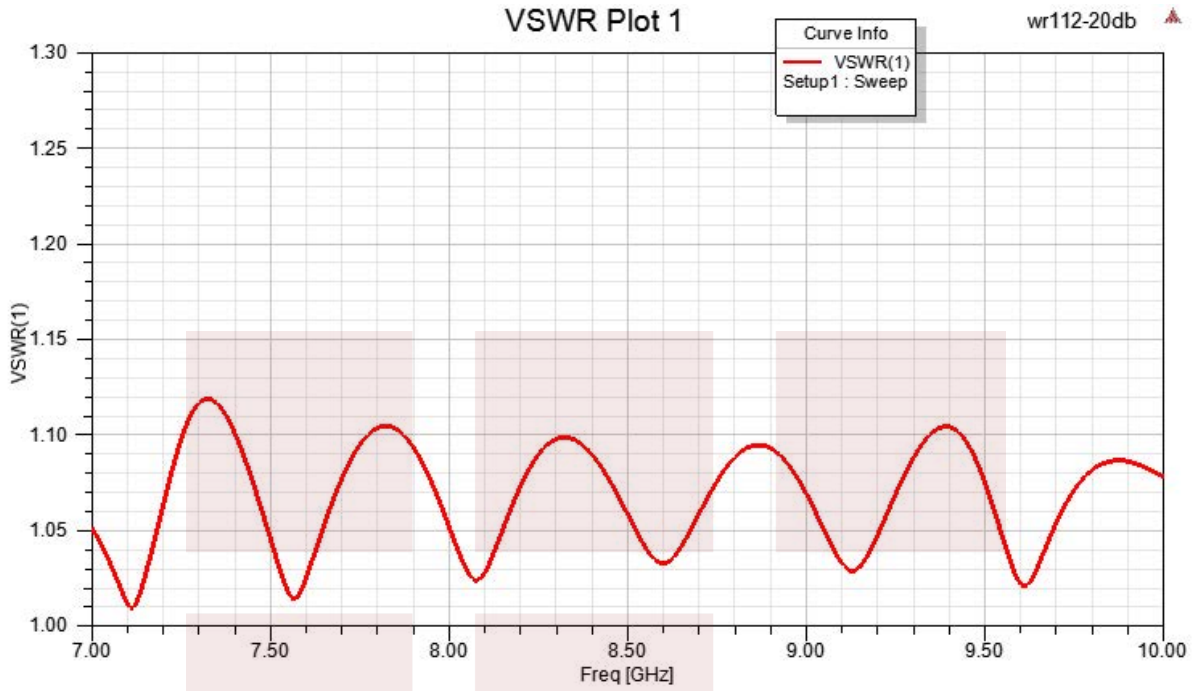
Compliance Certifications (see [product page](#) for current document)

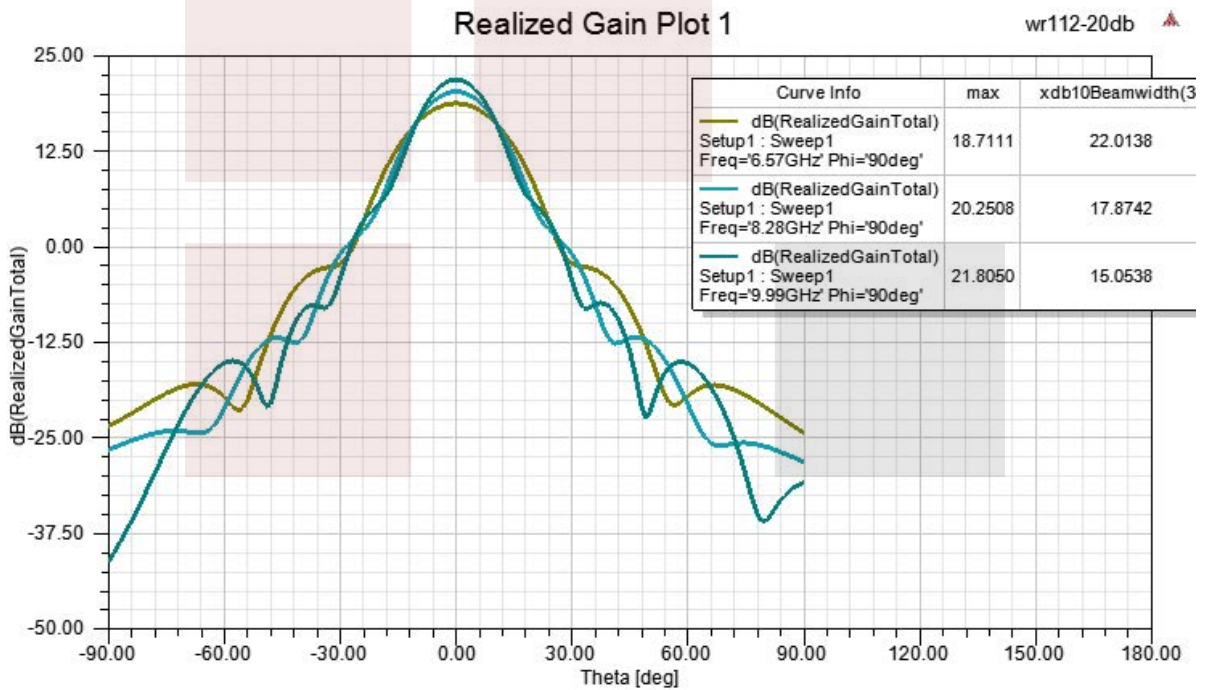
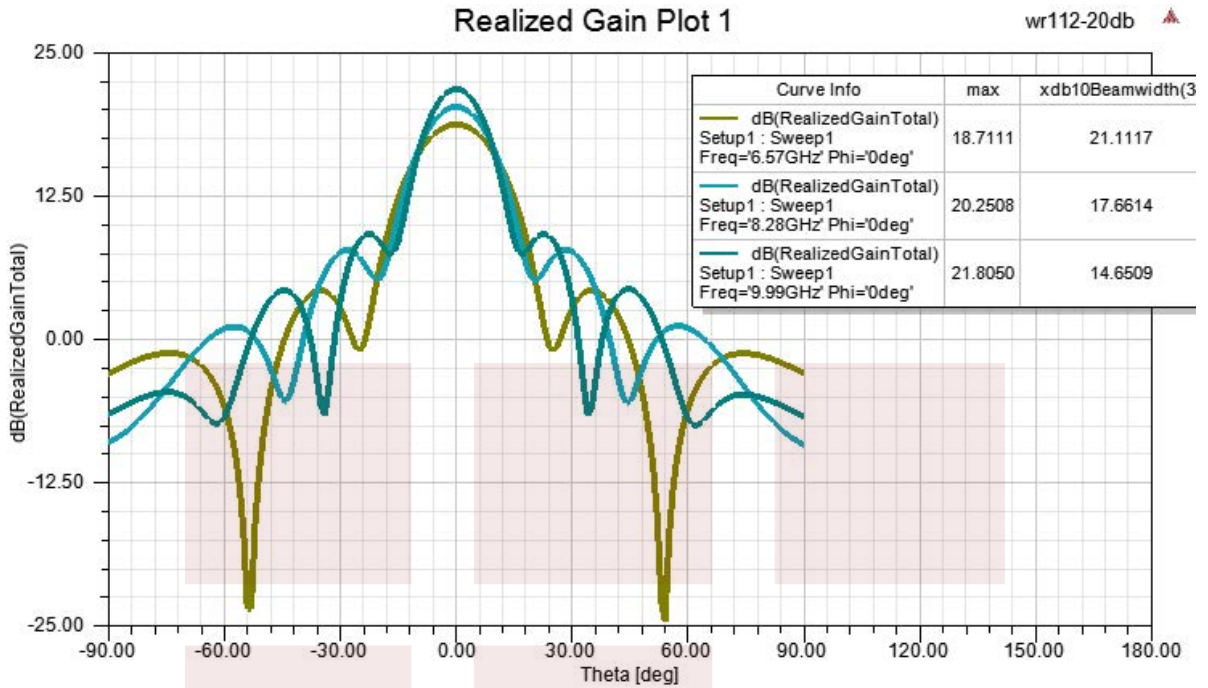
Plotted and Other Data

Notes:

Fairview Microwave
301 Leora Ln., Suite 100
Lewisville, TX 75056
Tel: 1-800-715-4396 / (972) 649-6678
Fax: (972) 649-6689
www.fairviewmicrowave.com
sales@fairviewmicrowave.com

Typical Performance Data





WR-112 Waveguide Antenna With 20 dBi Gain and 7.05 GHz to 10 GHz from Fairview Microwave is in-stock and available to ship same-day. All of our RF/microwave products are available off-the-shelf from our ISO 9001:2008 certified facilities in Lewisville, Texas. Fairview Microwave is RF on-demand.

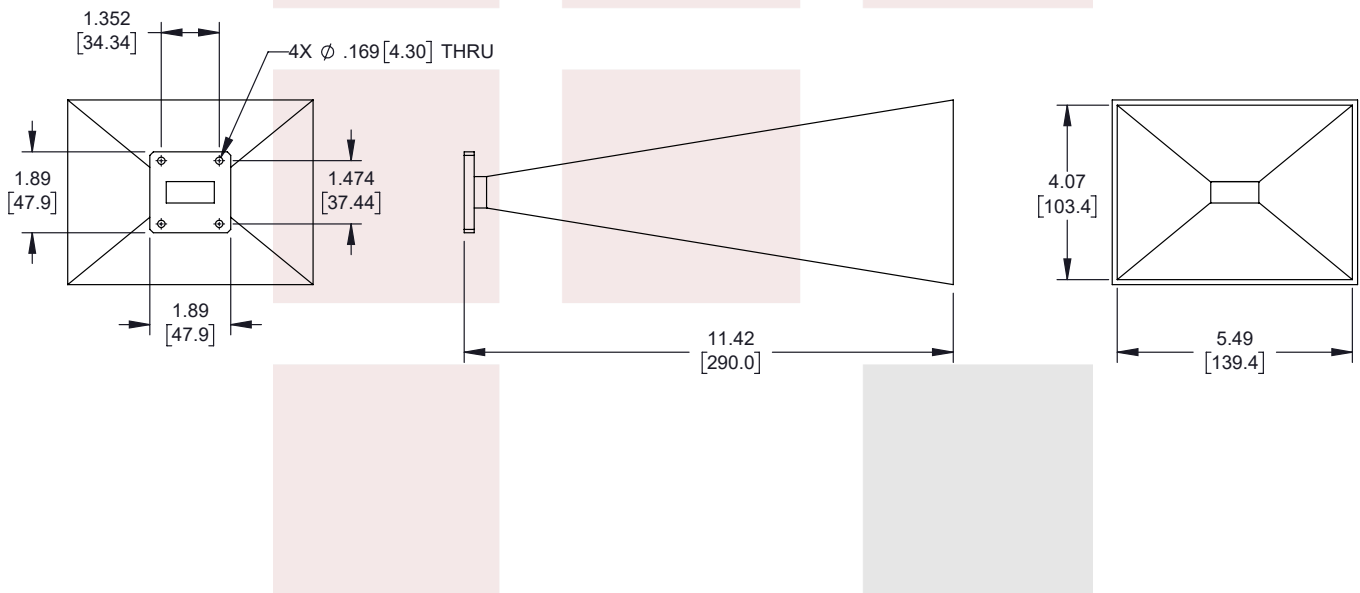
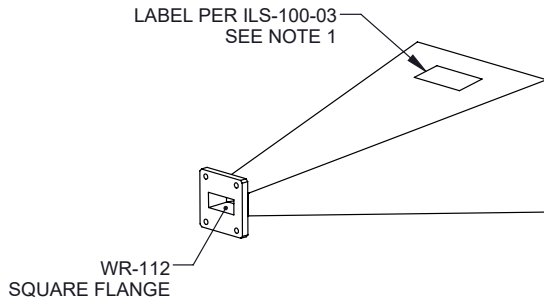
For additional information on this product, please click the following link: [WR-112 Waveguide Antenna With 20 dBi Gain and 7.05 GHz to 10 GHz FMWAN112-20](#)

URL: <https://www.fairviewmicrowave.com/wr-112-waveguide-standard-gain-horn-20-db-none-fmwan112-20-p.aspx>

The information contained in this document is accurate to the best of our knowledge and representative of the part described herein. It may be necessary to make modifications to the part and/or the documentation of the part, in order to implement improvements. Fairview Microwave reserves the right to make such changes as required. Unless otherwise stated, all specifications are nominal. Fairview Microwave does not make any representation or warranty regarding the suitability of the part described herein for any particular purpose, and Fairview Microwave does not assume any liability arising out of the use of any part or documentation.



| REVISIONS | | | |
|-----------|-----------------|------------|----------|
| REV. | DESCRIPTION | DATE | APPROVED |
| A | INITIAL RELEASE | 06/11/2021 | KHIETPAS |



- NOTES:
- LABEL PER ILS-100-03 (FOR INTERNAL REFERENCE ONLY)
LABEL LOCATION FOR REFERENCE ONLY

THESE COMMODITIES, TECHNOLOGY OR SOFTWARE WERE EXPORTED FROM THE UNITED STATES IN ACCORDANCE WITH THE EXPORT ADMINISTRATION REGULATIONS. DIVERSION CONTRARY TO U.S. LAW PROHIBITED.

TITLE

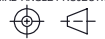
WR-112 Waveguide Antenna With 20 dBi Gain and 7.05 GHz to 10 GHz

UNLESS OTHERWISE SPECIFIED LEADING DIMENSIONS ARE INCHES
DIMENSIONS IN [] ARE MILLIMETERS

TOLERANCES: CABLE LENGTH (L) TOLERANCES:

| | | |
|--------------------|-------------|---|
| X = ±.2 [5.08] | FRACTIONS | L ≤ 12 [305] = +1 [25] / -0 |
| .XX = ±.02 [.51] | ± 1/32 | 12 [305] < L ≤ 60 [1524] = +2 [51] / -0 |
| .XXX = ±.005 [.13] | ANGLES ± 1° | 60 [1524] < L ≤ 120 [3048] = +4 [102] / -0 |
| | | 120 [3048] < L ≤ 300 [7620] = +6 [152] / -0 |
| | | 300 [7620] < L = +5%L / -0 |

THIRD-ANGLE PROJECTION



THE INFORMATION AND DESIGN IN THIS DOCUMENT IS THE PROPERTY OF FAIRVIEW MICROWAVE CORPORATION. ALL RIGHTS RESERVED.

SHEET 1 OF 1

ALL DIMENSIONS SHOWN ARE FOR REFERENCE ONLY.

SCALE N/A

| | | | | |
|-----------|--------------------|-------------------|-------------------------|----------|
| SIZE A | CAGE CODE 3FKR5 | DRAWN BY DZINN | ITEM NO. FMWAN112-20 | REV A |
|-----------|--------------------|-------------------|-------------------------|----------|

T-Rev.D