

WR-22 Waveguide Attenuator Fixed Operating from 33 GHz to 50 GHz, UG-383/U Round Cover Flange

FMWAT1004 is a WR-22 waveguide attenuator with dB fixed attenuation, operating in the 33 to 50 GHz (Q band) frequency range. The attenuator uses an UG-383/U Round Cover flange that is Gold Plated Brass. Fairview offers standard mid-band tuned Waveguide Fixed Attenuators with attenuation values of 1 to 30 dB in 1dB steps. Better attenuation flatness and accuracy can be achieved with additional tuning within a narrow band upon request.

Electrical Specifications

Description	Min	Typ	Max	Units
Frequency Range	33		50	GHz
VSWR		1.4:1		

Mechanical Specifications

Description	Flange 1	Waveguide	Flange 2
Interface	UG-383/U	WR-22	UG-383/U
Material	Brass	Brass	Brass
Plating	Gold	Gold	Gold

Compliance Certifications (see [product page](#) for current document)

Plotted and Other Data

Notes:

WR-22 Waveguide Attenuator Fixed Operating from 33 GHz to 50 GHz, UG-383/U Round Cover Flange from Fairview Microwave is in-stock and available to ship same-day. All of our RF/microwave products are available off-the-shelf from our ISO 9001:2008 certified facilities in Allen, Texas. Fairview Microwave is RF on-demand.

For additional information on this product, please click the following link: [WR-22 Waveguide Attenuator Fixed Operating from 33 GHz to 50 GHz, UG-383/U Round Cover Flange FMWAT1004](#)

URL: <https://www.fairviewmicrowave.com/wr-22-waveguide-attenuator-fixed-50ghz-fmwat1004-p.aspx>

The information contained in this document is accurate to the best of our knowledge and representative of the part described herein. It may be necessary to make modifications to the part and/or the documentation of the part, in order to implement improvements. Fairview Microwave reserves the right to make such changes as required. Unless otherwise stated, all specifications are nominal. Fairview Microwave does not make any representation or warranty regarding the suitability of the part described herein for any particular purpose, and Fairview Microwave does not assume any liability arising out of the use of any part or documentation.



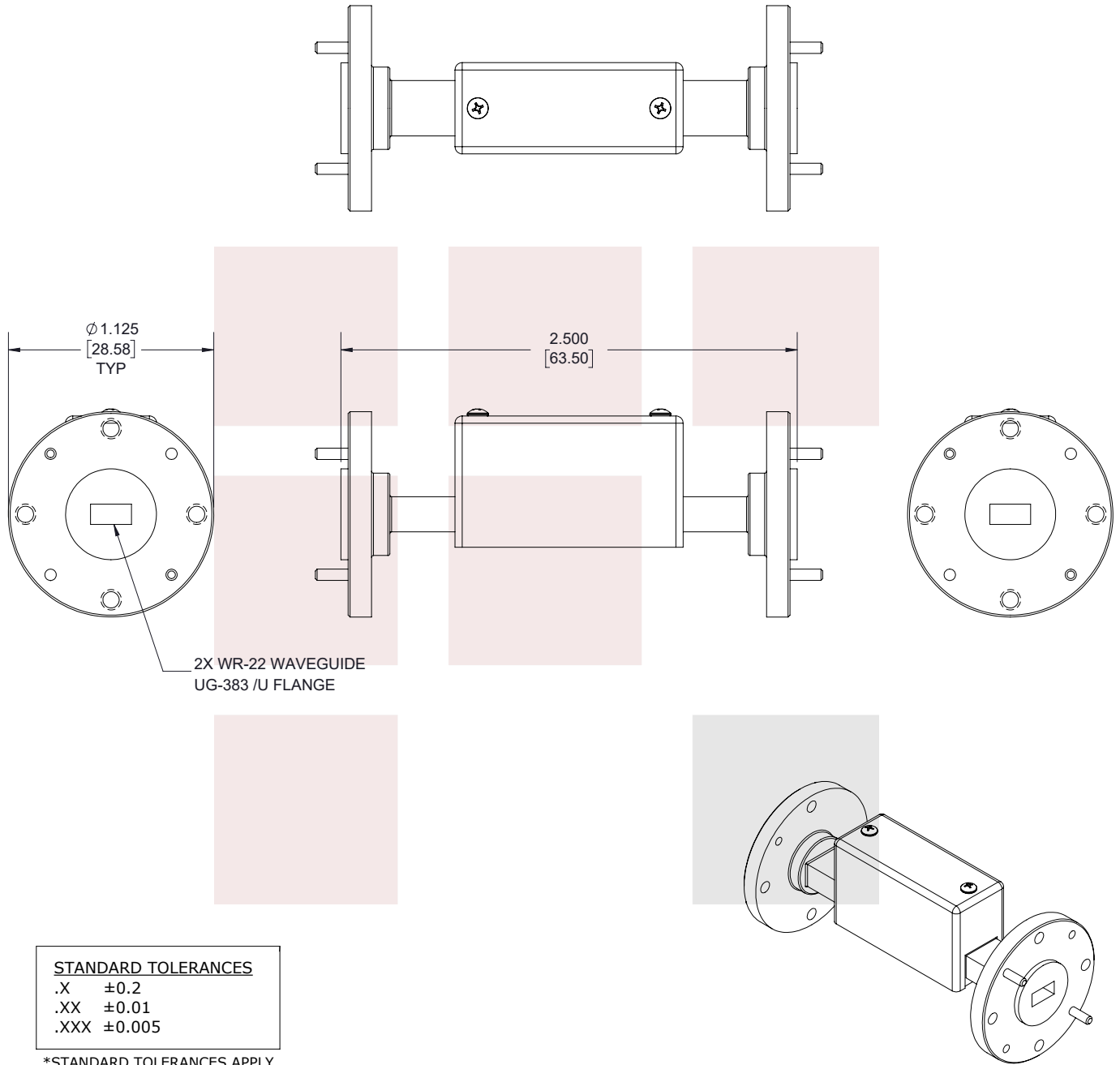
Features:

- WR-22 Waveguide
- Frequency Range 33 to 50 GHz
- dB fixed attenuation at center frequency
- UG-383/U Round Cover Flange
- Gold Plated Brass

Applications:

- Instrumentation
- System Calibration
- Research and Development
- Test Benches

Fairview Microwave
301 Leora Ln., Suite 100
Lewisville, TX 75056
Tel: 1-800-715-4396 / (972) 649-6678
Fax: (972) 649-6689
www.fairviewmicrowave.com
sales@fairviewmicrowave.com



STANDARD TOLERANCES	
.X	±0.2
.XX	±0.01
.XXX	±0.005

*STANDARD TOLERANCES APPLY ONLY TO DIMENSIONS IN INCHES

FAIRVIEW MICROWAVE INC. ALLEN, TX 75013 WWW.FAIRVIEWMICROWAVE.COM		NOTES: 1. UNLESS OTHERWISE SPECIFIED ALL DIMENSIONS ARE NOMINAL. 2. ALL SPECIFICATIONS ARE SUBJECT TO CHANGE WITHOUT NOTICE AT ANY TIME. 3. DIMENSIONS ARE IN INCHES [mm].			
TITLE WR-22 Waveguide Attenuator Fixed Operating from 33 GHz to 50 GHz, UG-383/U Round Cover Flange		DWG NO FMWAT1004		CAGE CODE 3FKR5	
CAD FILE	101317	SHEET	1 OF 1	SCALE	N/A
				SIZE	A
					7361