

WR-90 to SMA Female End Launch Waveguide to Coax Adapter UG-135/U Square Cover with 8.2 GHz to 12.4 GHz X Band in Aluminum, Paint

The FMWCA1075 is a waveguide to coaxial adapter operating in the X Band with a 8.2 to 12.4 GHz frequency range. This adapter offers a WR-90 waveguide interface size using a standard UG-135/U Square Cover Flange. The FMWCA1075 is constructed of Aluminum Alloy and painted to ensure durability. The coaxial connector offered by this adapter uses a SMA Female Connector.

Configuration

Waveguide Size	WR-90
Flange	UG-135/U Square Cover
RF Connector	SMA Female
Impedance	50 Ohms
Body Geometry	End Launch

Electrical Specifications

Description	Min	Typ	Max	Units
Frequency Range	8.2		12.4	GHz
VSWR		1.25:1		

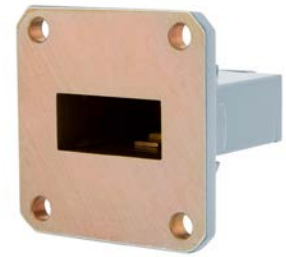
Mechanical Specifications

RF Connector	
Connector Type	SMA Female
Waveguide Interface	
Waveguide Type	WR-90
Flange Type	Square Cover
Flange Designation	UG-135/U
Body Material and Plating	Aluminum, Paint

Compliance Certifications (see [product page](#) for current document)

Plotted and Other Data

- Notes:
- Values at +25 °C, sea level unless stated otherwise



Features:

- X Band
- 8.2 to 12.4 GHz Frequency Range
- WR-90 Waveguide Interface
- UG-135/U Square Cover Flange
- SMA Female RF Interface
- End Launch

Applications:

- Test Benches
- Radar
- Satellite
- Microwave Radio Systems
- Military and Space
- Communication Systems

Fairview Microwave
 301 Leora Ln., Suite 100
 Lewisville, TX 75056
 Tel: 1-800-715-4396 / (972) 649-6678
 Fax: (972) 649-6689
www.fairviewmicrowave.com
sales@fairviewmicrowave.com

Typical Performance Data

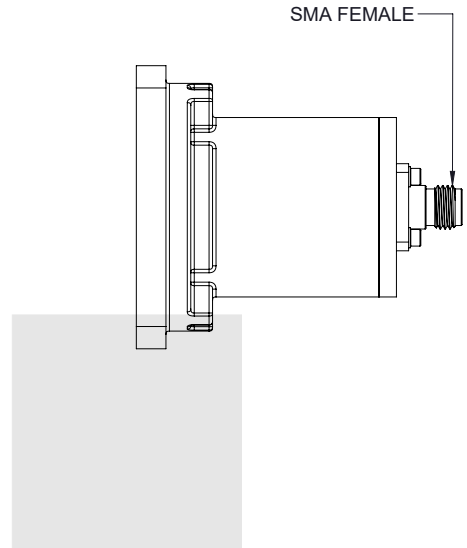
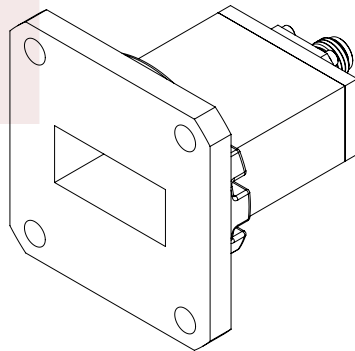
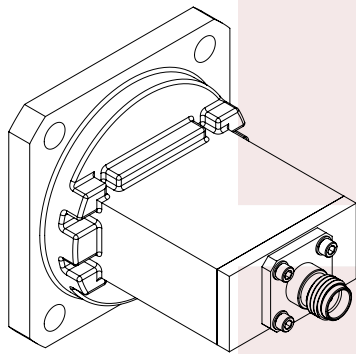
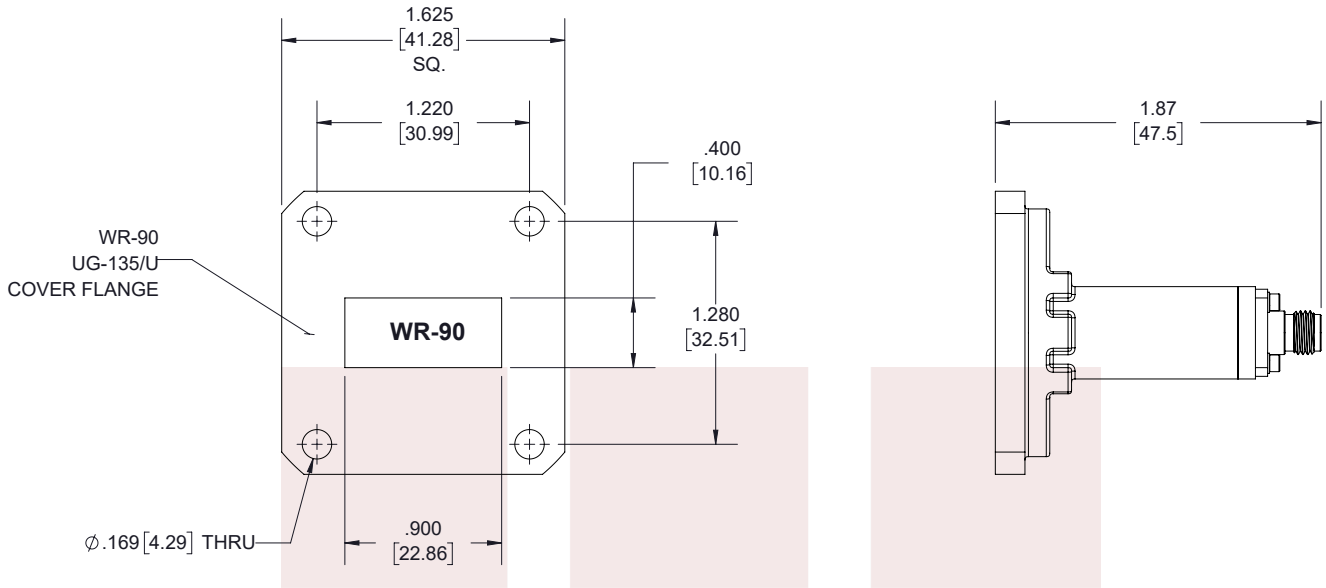


WR-90 to SMA Female End Launch Waveguide to Coax Adapter UG-135/U Square Cover with 8.2 GHz to 12.4 GHz X Band in Aluminum, Paint from Fairview Microwave is in-stock and available to ship same-day. All of our RF/microwave products are available off-the-shelf from our ISO 9001:2008 certified facilities in Lewisville, Texas. Fairview Microwave is RF on-demand.

For additional information on this product, please click the following link: [WR-90 to SMA Female End Launch Waveguide to Coax Adapter UG-135/U Square Cover with 8.2 GHz to 12.4 GHz X Band in Aluminum, Paint FMWCA1075](https://www.fairviewmicrowave.com/wr90-sma-female-end-launch-waveguide-coax-adapter-ug135-square-fmw-ca1075-p.aspx)

URL: <https://www.fairviewmicrowave.com/wr90-sma-female-end-launch-waveguide-coax-adapter-ug135-square-fmw-ca1075-p.aspx>

The information contained in this document is accurate to the best of our knowledge and representative of the part described herein. It may be necessary to make modifications to the part and/or the documentation of the part, in order to implement improvements. Fairview Microwave reserves the right to make such changes as required. Unless otherwise stated, all specifications are nominal. Fairview Microwave does not make any representation or warranty regarding the suitability of the part described herein for any particular purpose, and Fairview Microwave does not assume any liability arising out of the use of any part or documentation.



STANDARD TOLERANCES	
.X	±0.2
.XX	±0.01
.XXX	±0.005

*STANDARD TOLERANCES APPLY ONLY TO DIMENSIONS IN INCHES

	NOTES: 1. UNLESS OTHERWISE SPECIFIED ALL DIMENSIONS ARE NOMINAL. 2. ALL SPECIFICATIONS ARE SUBJECT TO CHANGE WITHOUT NOTICE AT ANY TIME. 3. DIMENSIONS ARE IN INCHES [mm].							
	DWG NO FMWCA1075				CAGE CODE 3FKR5			
	CAD FILE	10/03/18	SHEET	1 OF 1	SCALE	N/A	SIZE	A
TITLE WR-90 to SMA Female End Launch Waveguide to Coax Adapter UG-135/U Square Cover with 8.2 GHz to 12.4 GHz X Band in Aluminum, Paint								