

## WR-28 to 2.92mm Female Waveguide to Coax Adapter UG-599/U Square Cover with 26.5 GHz to 40 GHz Ka Band in Copper, Gold

The FMWCA1078 is a waveguide to coaxial adapter operating in the Ka Band with a 26.5 to 40 GHz frequency range. This adapter offers a WR-28 waveguide interface size coupled with a precision tolerance UG-599/U Flange. The FMWCA1078 is constructed of copper with gold plating to ensure durability. The coaxial connector offered by this adapter uses a 2.92mm Female connector.

### Configuration

Waveguide Size	WR-28
Flange	UG-599/U Square Cover
RF Connector	2.92mm Female
Impedance	50 Ohms
Body Geometry	Right Angle

### Electrical Specifications

Description	Min	Typ	Max	Units
Frequency Range	26.5		40	GHz
VSWR			1.25:1	
Insertion Loss			0.3	dB

### Mechanical Specifications

<b>Size</b>	
Length	1.02 in [25.91 mm]
Width	0.75 in [19.05 mm]
Height	0.75 in [19.05 mm]

<b>RF Connector</b>	
Connector Type	2.92mm Female
Body Material and Plating	Stainless Steel

<b>Waveguide Interface</b>	
Waveguide Type	WR-28
Flange Type	Square Cover
Flange Designation	UG-599/U
Body Material and Plating	Copper, Gold

**Compliance Certifications** (see [product page](#) for current document)

### Plotted and Other Data

Notes:

- Values at +25 °C, sea level unless stated otherwise



### Features:

- Ka band
- 26.5 to 40 GHz Frequency Range
- WR-28 Waveguide Interface
- UG-599/U Flange
- 2.92mm Female RF Interface
- Comprehensive waveguide offerings also include E-Bends, H-Bends, Sections, Filters, Terminations, Couplers, and more.

Fairview Microwave  
 301 Leora Ln., Suite 100  
 Lewisville, TX 75056  
 Tel: 1-800-715-4396 / (972) 649-6678  
 Fax: (972) 649-6689  
[www.fairviewmicrowave.com](http://www.fairviewmicrowave.com)  
[sales@fairviewmicrowave.com](mailto:sales@fairviewmicrowave.com)

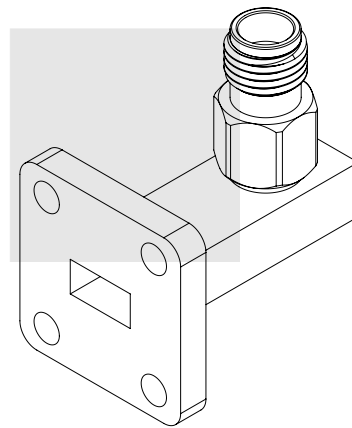
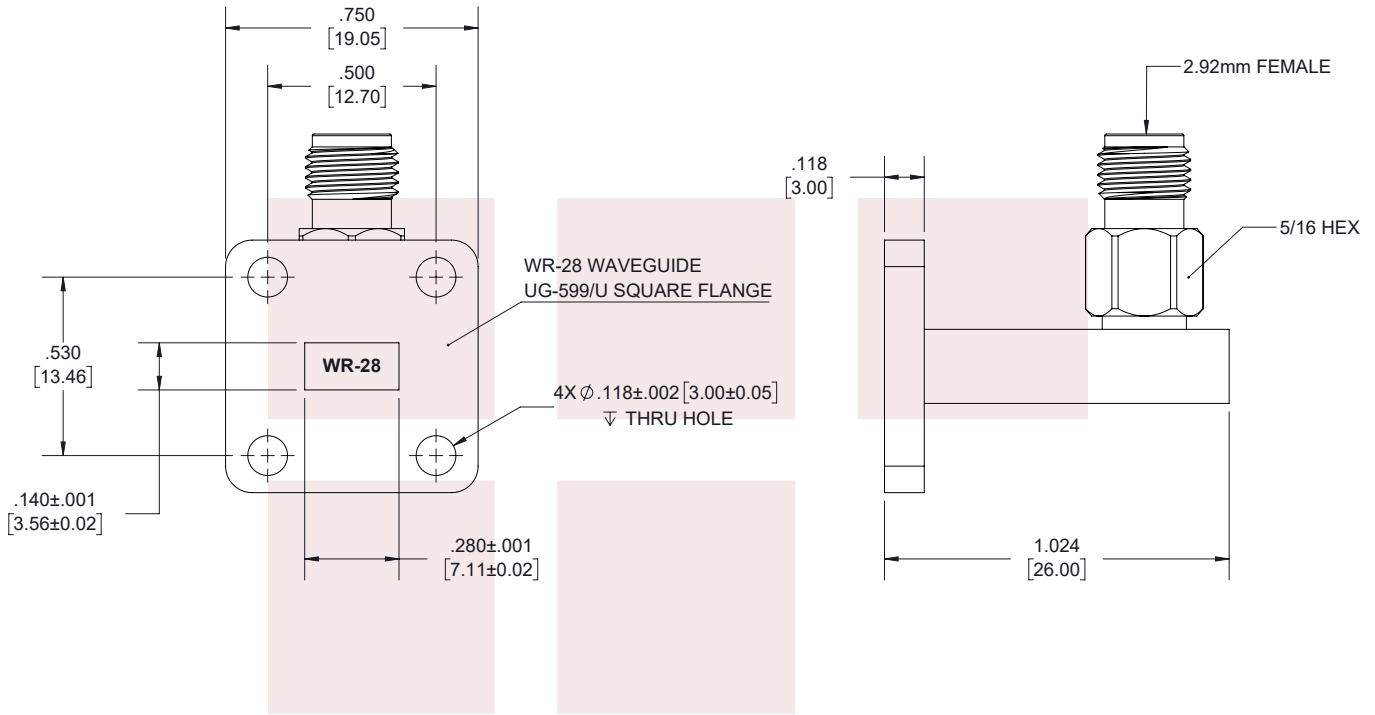
WR-28 to 2.92mm Female Waveguide to Coax Adapter UG-599/U Square Cover with 26.5 GHz to 40 GHz Ka Band in Copper, Gold from Fairview Microwave is in-stock and available to ship same-day. All of our RF/microwave products are available off-the-shelf from our ISO 9001:2008 certified facilities in Lewisville, Texas. Fairview Microwave is RF on-demand.

For additional information on this product, please click the following link: [WR-28 to 2.92mm Female Waveguide to Coax Adapter UG-599/U Square Cover with 26.5 GHz to 40 GHz Ka Band in Copper, Gold FMWCA1078](#)

URL: <https://www.fairviewmicrowave.com/wr28-2.92mm-female-waveguide-coax-adapter-ug599-square-fmwca1078-p.aspx>

The information contained in this document is accurate to the best of our knowledge and representative of the part described herein. It may be necessary to make modifications to the part and/or the documentation of the part, in order to implement improvements. Fairview Microwave reserves the right to make such changes as required. Unless otherwise stated, all specifications are nominal. Fairview Microwave does not make any representation or warranty regarding the suitability of the part described herein for any particular purpose, and Fairview Microwave does not assume any liability arising out of the use of any part or documentation.





STANDARD TOLERANCES	
.X	±0.2
.XX	±0.01
.XXX	±0.005

\*STANDARD TOLERANCES APPLY ONLY TO DIMENSIONS IN INCHES

Fairview Microwave an INFINIT <sup>®</sup> brand		NOTES: 1. UNLESS OTHERWISE SPECIFIED ALL DIMENSIONS ARE NOMINAL. 2. ALL SPECIFICATIONS ARE SUBJECT TO CHANGE WITHOUT NOTICE AT ANY TIME. 3. DIMENSIONS ARE IN INCHES [mm].	
TITLE	DWG NO	CAGE CODE	
WR-28 to 2.92mm Female Waveguide to Coax Adapter UG-599/U Square Cover with 26.5 GHz to 40 GHz Ka Band in Copper, Gold	FMWCA1078	3FKR5	
	CAD FILE 07/05/19	SHEET 1 OF 1	SCALE N/A SIZE A 7361