

**WR-75 to Type N Female Waveguide to Coax Adapter  
UBR120 with 9.84 GHz to 15 GHz in Brass**

The FMWCA1095 is a right angle waveguide to coaxial adapter operating at a frequency range of 9.84 GHz to 15 GHz. This adapter offers a WR-75 waveguide interface size coupled with a precision tolerance UBR120 flange. The FMWCA1095 is constructed of brass and painted gray to ensure durability. The coaxial connector offered by this adapter uses an N Female connector.

**Configuration**

Waveguide Size	WR-75
Flange	UBR120
RF Connector	N Female
Body Geometry	Right Angle

**Electrical Specifications**

Description	Min	Typ	Max	Units
Frequency Range	9.84		15	GHz
VSWR			1.25:1	
Insertion Loss			0.2	dB
Input Power (CW)			100	Watts

**Mechanical Specifications**

<b>Size</b>	
Length	1.29 in [32.77 mm]
Width	1.5 in [38.1 mm]
Height	1.5 in [38.1 mm]

<b>RF Connector</b>	
Connector Type	N Female

<b>Waveguide Interface</b>	
Waveguide Type	WR-75
Flange Type	UBR120
Body Material and Plating	Brass

**Environmental Specifications**

<b>Temperature</b>	
Operating Range	-40 to +70 deg C

**Compliance Certifications** (see [product page](#) for current document)

**Plotted and Other Data**

- Notes:
- Values at +25 °C, sea level unless stated otherwise


**Features:**

- 9.84 to 15 GHz Frequency Range
- WR-75 Waveguide Interface
- UBR120 Flange
- N Female RF Interface
- Comprehensive waveguide offering also include E-Bends, H-Bends, Sections, Filters, Terminations, Couplers, and more.

**Applications:**

- Test Benches
- Radar
- Satellite
- Microwave Radio Systems
- Military and Space
- Communication Systems

Fairview Microwave  
301 Leora Ln., Suite 100  
Lewisville, TX 75056  
Tel: 1-800-715-4396 / (972) 649-6678  
Fax: (972) 649-6689  
[www.fairviewmicrowave.com](http://www.fairviewmicrowave.com)  
[sales@fairviewmicrowave.com](mailto:sales@fairviewmicrowave.com)

WR-75 to Type N Female Waveguide to Coax Adapter UBR120 with 9.84 GHz to 15 GHz in Brass from Fairview Microwave is in-stock and available to ship same-day. All of our RF/microwave products are available off-the-shelf from our ISO 9001:2008 certified facilities in Lewisville, Texas. Fairview Microwave is RF on-demand.

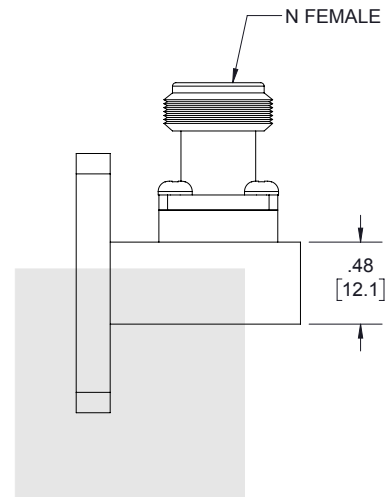
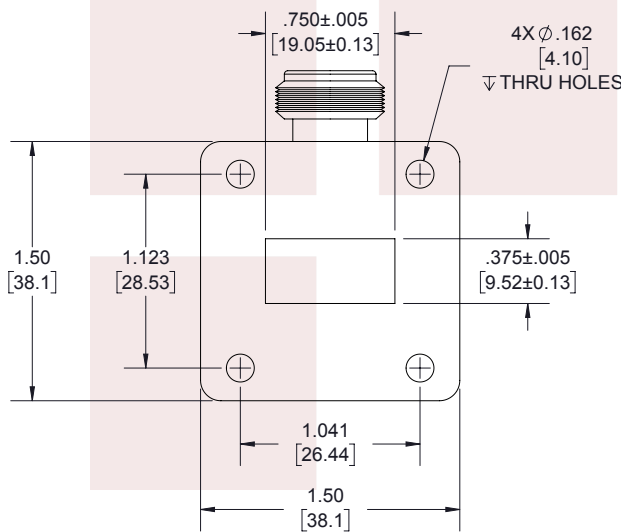
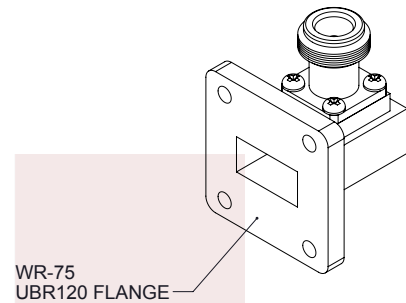
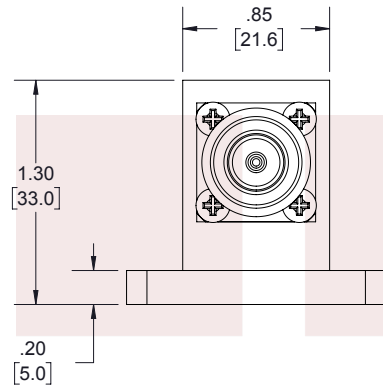
For additional information on this product, please click the following link: [WR-75 to Type N Female Waveguide to Coax Adapter UBR120 with 9.84 GHz to 15 GHz in Brass FMWCA1095](#)

URL: <https://www.fairviewmicrowave.com/wr75-type-n-female-waveguide-coax-adapter-ubr120-fmwca1095-p.aspx>

The information contained in this document is accurate to the best of our knowledge and representative of the part described herein. It may be necessary to make modifications to the part and/or the documentation of the part, in order to implement improvements. Fairview Microwave reserves the right to make such changes as required. Unless otherwise stated, all specifications are nominal. Fairview Microwave does not make any representation or warranty regarding the suitability of the part described herein for any particular purpose, and Fairview Microwave does not assume any liability arising out of the use of any part or documentation.



REVISIONS			
REV.	DESCRIPTION	DATE	APPROVED
A	INITIAL RELEASE	05/07/2020	SPONG



LABEL:

FAIRVIEW MICROWAVE  
FMWCA1095  
D/C: YYWW

THESE COMMODITIES, TECHNOLOGY OR SOFTWARE WERE EXPORTED FROM THE UNITED STATES IN ACCORDANCE WITH THE EXPORT ADMINISTRATION REGULATIONS. DIVERSION CONTRARY TO U.S. LAW PROHIBITED.

TITLE

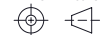
WR-75 to Type N Female Waveguide to Coax Adapter  
UBR120 with 9.84 GHz to 15 GHz in Brass

UNLESS OTHERWISE SPECIFIED LEADING DIMENSIONS ARE INCHES  
DIMENSIONS IN [ ] ARE MILLIMETERS

TOLERANCES: CABLE LENGTH (L) TOLERANCES:

.X = ±.2 [5.08]	FRACTIONS	L ≤ 12 [305] = +1 [25] / -0
.XX = ±.02 [.51]	± 1/32	12 [305] < L ≤ 60 [1524] = +2 [51] / -0
.XXX = ±.005 [.13]	ANGLES ± 1°	60 [1524] < L ≤ 120 [3048] = +4 [102] / -0
		120 [3048] < L ≤ 300 [7620] = +6 [152] / -0
		300 [7620] < L = +5%L / -0

THIRD-ANGLE PROJECTION



THE INFORMATION AND DESIGN IN THIS DOCUMENT IS THE PROPERTY OF FAIRVIEW MICROWAVE CORPORATION. ALL RIGHTS RESERVED.

SHEET 1 OF 1

ALL DIMENSIONS SHOWN ARE FOR REFERENCE ONLY.

SCALE

N/A

SIZE A	CAGE CODE 3FKR5	DRAWN BY BPUCHASKI	ITEM NO. FMWCA1095	REV A
-----------	--------------------	-----------------------	-----------------------	----------

T-Rev.D