

## WR-34 to 2.92mm Female Waveguide to Coax Adapter UBR260 with 21.7 GHz to 33 GHz in Brass

The FMWCA1102 is a right angle waveguide to coaxial adapter operating at a frequency range of 21.7 GHz to 33 GHz. This adapter offers a WR-34 waveguide interface size coupled with a precision tolerance UBR260 flange. The FMWCA1102 is constructed of brass and a gold finish to ensure durability. The coaxial connector offered by this adapter uses an 2.92mm Female connector.

### Configuration

|                |               |
|----------------|---------------|
| Waveguide Size | WR-34         |
| Flange         | UBR260        |
| RF Connector   | 2.92mm Female |
| Body Geometry  | Right Angle   |

### Electrical Specifications

| Description      | Min  | Typ | Max    | Units |
|------------------|------|-----|--------|-------|
| Frequency Range  | 21.7 |     | 33     | GHz   |
| VSWR             |      |     | 1.35:1 |       |
| Insertion Loss   |      |     | 0.3    | dB    |
| Input Power (CW) |      |     | 20     | Watts |

### Mechanical Specifications

|             |                    |
|-------------|--------------------|
| <b>Size</b> |                    |
| Length      | 1.18 in [29.97 mm] |
| Width       | 0.87 in [22.1 mm]  |
| Height      | 0.87 in [22.1 mm]  |
| Weight      | 1 lbs [453.59 g]   |

|                     |               |
|---------------------|---------------|
| <b>RF Connector</b> |               |
| Connector Type      | 2.92mm Female |

|                            |        |
|----------------------------|--------|
| <b>Waveguide Interface</b> |        |
| Waveguide Type             | WR-34  |
| Flange Type                | UBR260 |
| Body Material and Plating  | Brass  |

**Compliance Certifications** (see [product page](#) for current document)

### Plotted and Other Data

Notes:

- Values at +25 °C, sea level unless stated otherwise



### Features:

- 21.7 to 33 GHz Frequency Range
- WR-34 Waveguide Interface
- UBR260 Flange
- 2.92mm Female RF Interface
- Comprehensive waveguide offering also include E-Bends, H-Bends, Sections, Filters, Terminations, Couplers, and more.

### Applications:

- Test Benches
- Radar
- Satellite
- Microwave Radio Systems
- Military and Space
- Communication Systems

Fairview Microwave  
 301 Leora Ln., Suite 100  
 Lewisville, TX 75056  
 Tel: 1-800-715-4396 / (972) 649-6678  
 Fax: (972) 649-6689  
[www.fairviewmicrowave.com](http://www.fairviewmicrowave.com)  
[sales@fairviewmicrowave.com](mailto:sales@fairviewmicrowave.com)

WR-34 to 2.92mm Female Waveguide to Coax Adapter UBR260 with 21.7 GHz to 33 GHz in Brass from Fairview Microwave is in-stock and available to ship same-day. All of our RF/microwave products are available off-the-shelf from our ISO 9001:2008 certified facilities in Lewisville, Texas. Fairview Microwave is RF on-demand.

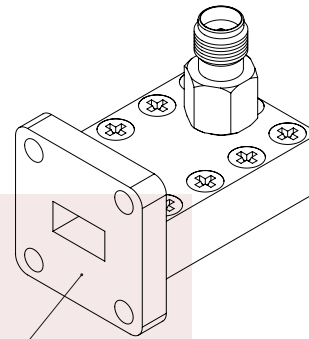
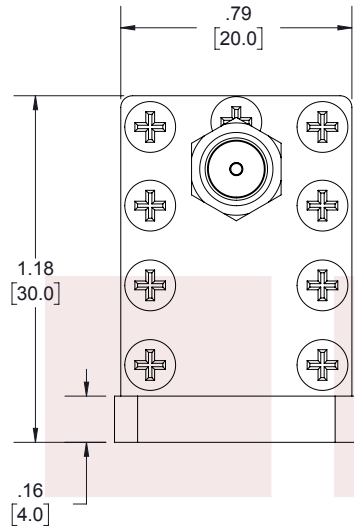
For additional information on this product, please click the following link: [WR-34 to 2.92mm Female Waveguide to Coax Adapter UBR260 with 21.7 GHz to 33 GHz in Brass FMWCA1102](#)

URL: <https://www.fairviewmicrowave.com/wr34-2.92mm-female-waveguide-coax-adapter-ubr260-fmwca1102-p.aspx>

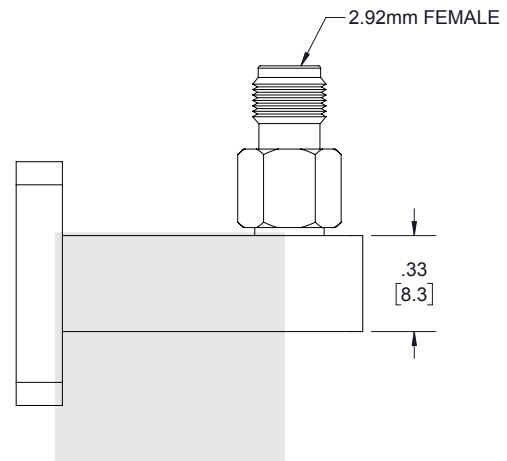
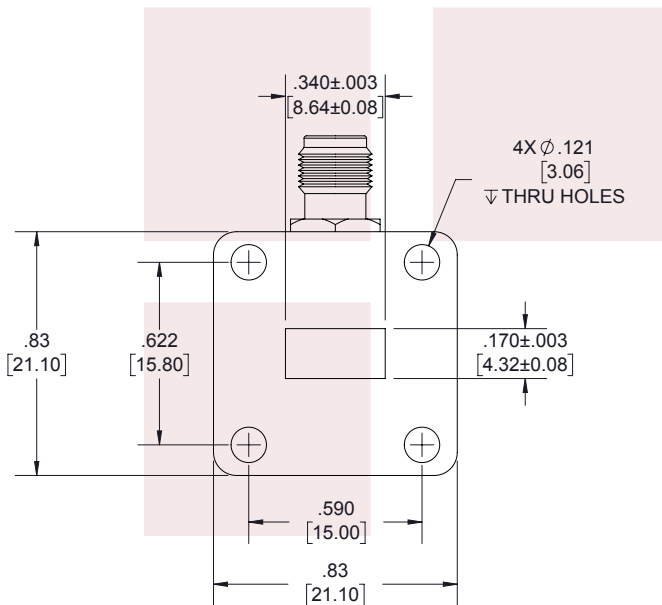
The information contained in this document is accurate to the best of our knowledge and representative of the part described herein. It may be necessary to make modifications to the part and/or the documentation of the part, in order to implement improvements. Fairview Microwave reserves the right to make such changes as required. Unless otherwise stated, all specifications are nominal. Fairview Microwave does not make any representation or warranty regarding the suitability of the part described herein for any particular purpose, and Fairview Microwave does not assume any liability arising out of the use of any part or documentation.



| REVISIONS |                 |            |          |
|-----------|-----------------|------------|----------|
| REV.      | DESCRIPTION     | DATE       | APPROVED |
| A         | INITIAL RELEASE | 05/13/2020 | SPONG    |



WR-34  
UBR260 FLANGE



LABEL:

FAIRVIEW MICROWAVE  
FMWCA1102  
D/C: YYWW

THESE COMMODITIES, TECHNOLOGY OR SOFTWARE WERE EXPORTED FROM THE UNITED STATES IN ACCORDANCE WITH THE EXPORT ADMINISTRATION REGULATIONS. DIVERSION CONTRARY TO U.S. LAW PROHIBITED.

TITLE

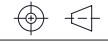
WR-34 to 2.92mm Female Waveguide to Coax Adapter  
UBR260 with 21.7 GHz to 33 GHz in Brass

UNLESS OTHERWISE SPECIFIED LEADING DIMENSIONS ARE INCHES  
DIMENSIONS IN [ ] ARE MILLIMETERS

TOLERANCES: CABLE LENGTH (L) TOLERANCES:

.X = ±.2 [5.08] FRACTIONS L ≤ 12 [305] = +1 [25] / -0  
 .XX = ±.02 [.51] ± 1/32 12 [305] < L ≤ 60 [1524] = +2 [51] / -0  
 .XXX = ±.005 [.13] ANGLES ± 1° 60 [1524] < L ≤ 120 [3048] = +4 [102] / -0  
 120 [3048] < L ≤ 300 [7620] = +6 [152] / -0  
 300 [7620] < L = +5%L / -0

THIRD-ANGLE PROJECTION



THE INFORMATION AND DESIGN IN THIS DOCUMENT IS THE PROPERTY OF FAIRVIEW MICROWAVE CORPORATION. ALL RIGHTS RESERVED.

SHEET 1 OF 1

ALL DIMENSIONS SHOWN ARE FOR REFERENCE ONLY.

SCALE N/A

|           |                    |                       |                       |          |
|-----------|--------------------|-----------------------|-----------------------|----------|
| SIZE<br>A | CAGE CODE<br>3FKR5 | DRAWN BY<br>BPUCHASKI | ITEM NO.<br>FMWCA1102 | REV<br>A |
|-----------|--------------------|-----------------------|-----------------------|----------|

T-Rev.D