

WR-112 Waveguide Pressurizing Section 4.25 Inch Length With CPR-112G Grooved Flange from 7.05 GHz to 10 GHz

The FMWSP1010 is a pressurizing section for WR-112 waveguides with CPR-112 Grooved flanges. The pressure section has a pressure gauge to monitor the internal pressure. The pressure gauge will read up to 15 PSI. It also has a pressure inlet valve which is a Schrader 1/8-27 NPTF with protective metal cap. The FMWSP1010 is part of a family of pressure inlets with pressure gauges. Used with Fairview Microwave's gasket kits it allows for waveguide systems to be pressurized with air or other gasses. These are quality built units with VSWR of 1.08:1 or less.



Features:

- Pressurizing Waveguide Section
- 0-15 PSI Pressure Gauge
- 7.05 GHz to 10 GHz Frequency Range
- CPR-112 Grooved Flange
- Waveguide Body made of Bronze with Brass Flanges
- Low VSWR

Electrical Specifications*

Description	Min	Typ	Max	Units
Frequency Range	7.05		10	GHz
VSWR		1.07:1		

* Values at 25°C, sea level

Mechanical Specifications

Waveguide Size WR-112
 Waveguide Design Standard
 Section Length 4.25 in [107.95 mm]

Flange 1

Flange Type CPR-112G
 Flange Designation None

Waveguide

Interface WR-112
 Material Bronze

Flange 2

Flange Type CPR-112G
 Flange Designation None

Compliance Certifications (see [product page](#) for current document)

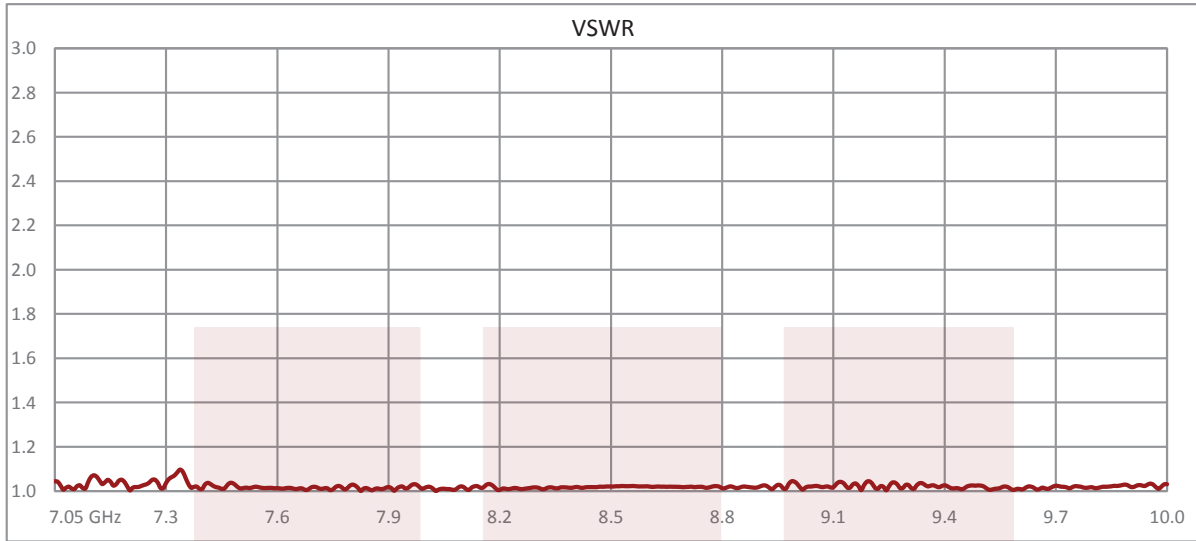
Plotted and Other Data

Notes:

- Values at 25 °C, sea level

Fairview Microwave
 1130 Junction Dr. #100
 Allen, TX 75013
 Tel: 1-800-715-4396 / (972) 649-6678
 Fax: (972) 649-6689
www.fairviewmicrowave.com
sales@fairviewmicrowave.com

Typical Performance Data

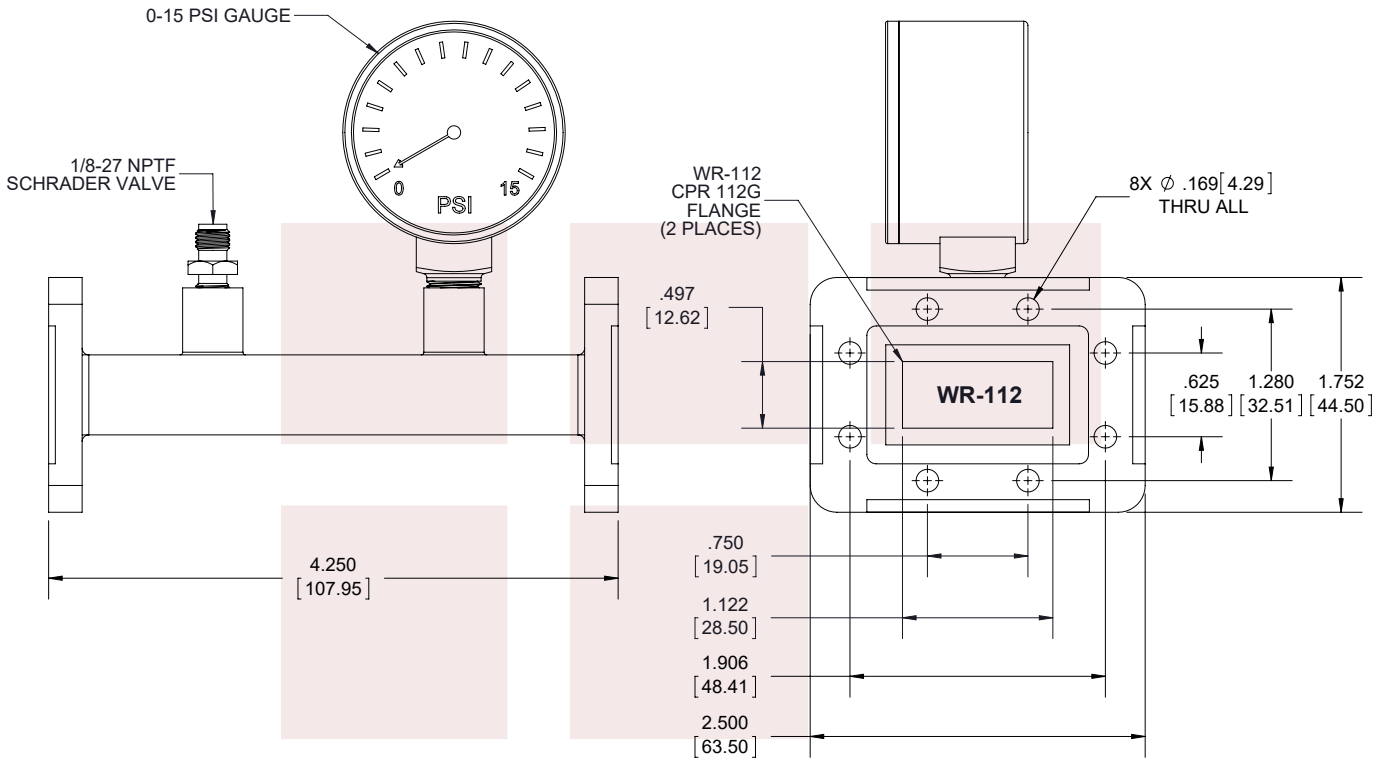


WR-112 Waveguide Pressurizing Section 4.25 Inch Length With CPR-112G Grooved Flange from 7.05 GHz to 10 GHz from Fairview Microwave is in-stock and available to ship same-day. All of our RF/microwave products are available off-the-shelf from our ISO 9001:2008 certified facilities in Allen, Texas. Fairview Microwave is RF on-demand.

For additional information on this product, please click the following link: [WR-112 Waveguide Pressurizing Section 4.25 Inch Length With CPR-112G Grooved Flange from 7.05 GHz to 10 GHz FMWSP1010](#)

URL: <https://www.fairviewmicrowave.com/wr-112-waveguide-section-straight-cpr-112g-grooved-standard-fmwsp1010-p.aspx>

The information contained in this document is accurate to the best of our knowledge and representative of the part described herein. It may be necessary to make modifications to the part and/or the documentation of the part, in order to implement improvements. Fairview Microwave reserves the right to make such changes as required. Unless otherwise stated, all specifications are nominal. Fairview Microwave does not make any representation or warranty regarding the suitability of the part described herein for any particular purpose, and Fairview Microwave does not assume any liability arising out of the use of any part or documentation.



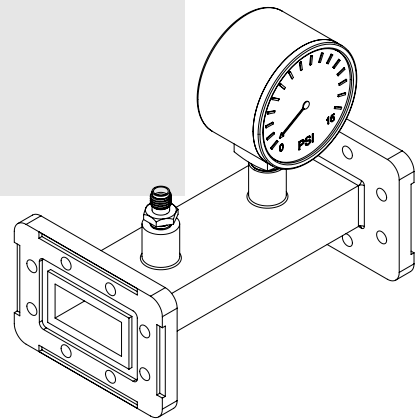
FM LABEL

FMWSP1010
 XXXX
 www.FAIRVIEWMICROWAVE.com

STANDARD TOLERANCES

.X ±0.2
 .XX ±0.01
 .XXX ±0.005

*STANDARD TOLERANCES APPLY
 ONLY TO DIMENSIONS IN INCHES



FAIRVIEW MICROWAVE INC.

ALLEN, TX 75013 WWW.FAIRVIEWMICROWAVE.COM

NOTES:

1. UNLESS OTHERWISE SPECIFIED ALL DIMENSIONS ARE NOMINAL.
2. ALL SPECIFICATIONS ARE SUBJECT TO CHANGE WITHOUT NOTICE AT ANY TIME.
3. DIMENSIONS ARE IN INCHES [mm].

TITLE

WR-112 Waveguide Pressurizing Section 4.25 Inch
 Length With CPR-112G Grooved Flange from 7.05 GHz
 to 10 GHz

DWG NO

FMWSP1010

CAGE CODE

3FKR5

CAD FILE

062117

SHEET

1 OF 1

SCALE

N/A

SIZE

A

9999