

100 MHz Phase Locked Crystal Oscillator, 10 MHz External Ref., Phase Noise -150 dBc/Hz and SMA

FMXP5003 is a 100 MHz Phase-Locked Crystal Oscillator with an external 10 MHz Reference Oscillator. This design features exceptional phase noise performance of -150 dBc/Hz @ 10 kHz offset. Supply Voltage is +5V DC @ 75 mA typ. The package is a connectorized module with Lock Detect and SMA connectors. The reference oscillator has an output power level of +7 dBm +/- 2 dB and 2nd harmonic output of -20 dBc typical. The reference oscillator operates over a temperature range of -30°C to +70°C and is designed to meet a variety of MIL-STD-202 test conditions including Humidity, Shock, and Vibration.



Electrical Specifications

Description	Min	Typ	Max	Units
Output Frequency		100		MHz
Output Impedance		50		Ohms
Output Power	+5	+7	+9	dBm
Phase Noise @ 10Hz Offset		-85	-80	dBc/Hz
Phase Noise @ 100Hz Offset		-100	-95	dBc/Hz
Phase Noise @ 1kHz Offset		-130	-125	dBc/Hz
Phase Noise @ 10kHz Offset		-150	-145	dBc/Hz
Reference Frequency		10		MHz
Reference Impedance		50		Ohms
Reference Power	+4	+7	+10	dBm
Ref. Phase Noise @ 10Hz Offset		-105		dBc/Hz
Ref. Phase Noise @ 100Hz Offset		-135		dBc/Hz
Ref. Phase Noise @ 1kHz Offset		-145		dBc/Hz
2nd Harmonics		-20	-15	dBc
Spurious		-70	-65	dBc
Lock Detect	5 VDC TTL, HIGH=LOCK			
Supply Voltage (DC) 1		12		Vdc
Supply Current (DC) 1		75	95	mA

Features:

- 100 MHz Phase-Locked Crystal Oscillator
- External 10 MHz Reference Oscillator
- -150 dBc/Hz @ 10kHz offset
- Pout = +7 dBm
- Harmonics = -20 dBc
- SMA Connector
- Designed to meet MIL-STD-202 Environmental Conditions
- SMT version available see FMXP5001

Applications:

- Phase Locked Loop
- Function Generators
- Frequency Synthesizers
- Receivers
- Electronic Jamming Equipment
- Local Oscillator
- Wireless Communications
- SATCOM
- Optical Communications
- Military Electronic Systems

Mechanical Specifications

Size	
Length	2 in [50.8 mm]
Width	1.5 in [38.1 mm]
Height	0.6 in [15.24 mm]
Weight	0.1015 lbs [46.04 g]
Body Material and Plating	Aluminum

Configuration

Design	Commercial
Reference Type	External
Package Style	Connectorized
Input Connector	SMA Female
Output Connector	SMA Female

Environmental Specifications

Temperature	
Operating Range	-30 to +70 deg C

Fairview Microwave
301 Leora Ln., Suite 100
Lewisville, TX 75056
Tel: 1-800-715-4396 / (972) 649-6678
Fax: (972) 649-6689
www.fairviewmicrowave.com
sales@fairviewmicrowave.com

Shock
Vibration
ESD Sensitivity

IAW MIL-STD-202, Method 213, Condition A
IAW MIL-STD-202, Method 204, Condition A
ESD Sensitive Material, Transport material in Approved ESD bags. Handle only in ESD Workstation.

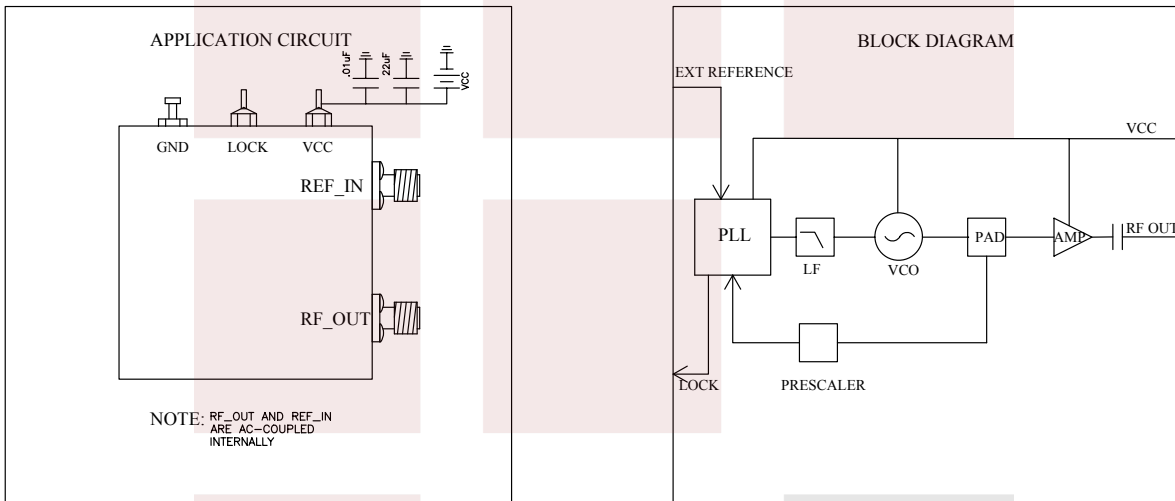


Compliance Certifications (see [product page](#) for current document)

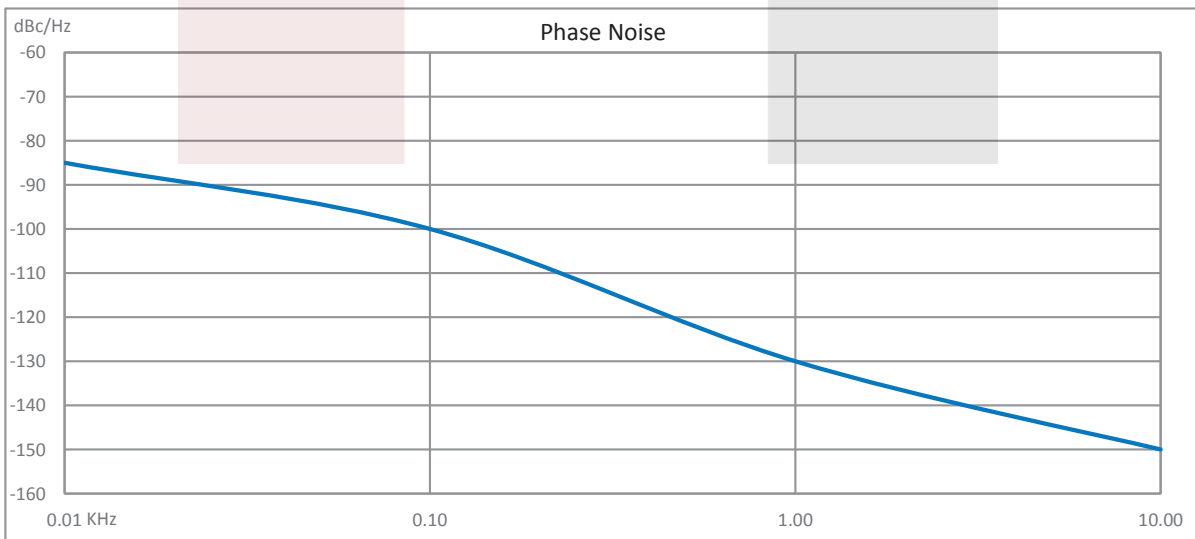
Plotted and Other Data

Notes:

Functional Block Diagram



Typical Performance Data



100 MHz Phase Locked Crystal Oscillator, 10 MHz External Ref., Phase Noise -150 dBc/Hz and SMA from Fairview Microwave is in-stock and available to ship same-day. All of our RF/microwave products are available off-the-shelf from our ISO 9001:2008 certified facilities in Allen, Texas. Fairview Microwave is RF on-demand.

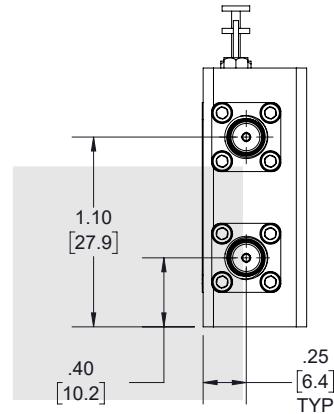
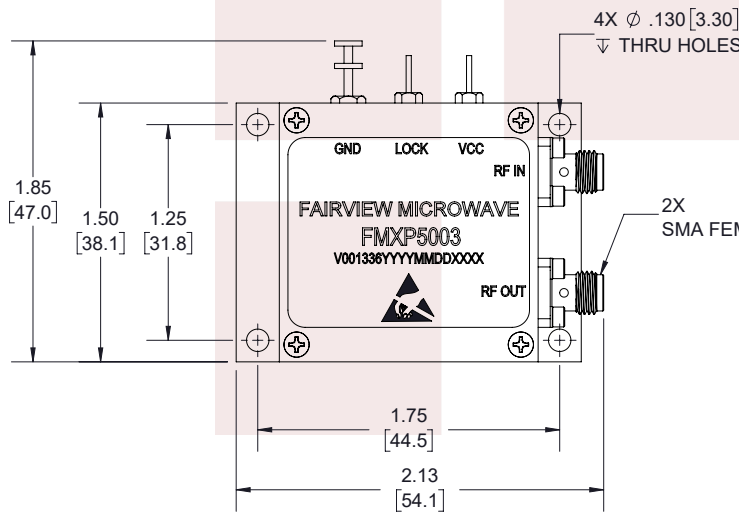
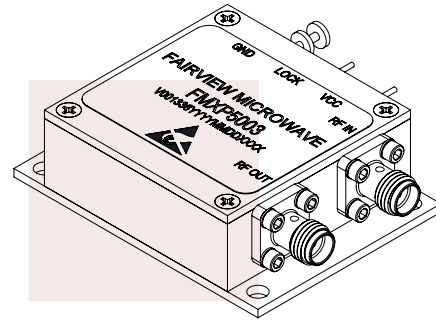
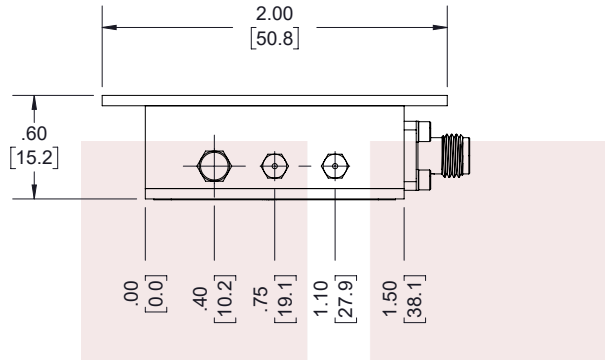
For additional information on this product, please click the following link: [100 MHz Phase Locked Crystal Oscillator, 10 MHz External Ref., Phase Noise -150 dBc/Hz and SMA FMXP5003](#)

URL: <https://www.fairviewmicrowave.com/100-mhz-phase-locked-crystal-oscillator-external-fmxc5003-p.aspx>

The information contained in this document is accurate to the best of our knowledge and representative of the part described herein. It may be necessary to make modifications to the part and/or the documentation of the part, in order to implement improvements. Fairview Microwave reserves the right to make such changes as required. Unless otherwise stated, all specifications are nominal. Fairview Microwave does not make any representation or warranty regarding the suitability of the part described herein for any particular purpose, and Fairview Microwave does not assume any liability arising out of the use of any part or documentation.



REVISIONS			
REV.	DESCRIPTION	DATE	APPROVED
A	PCR FMXP5003	4/7/2020	T.GALLA



THESE COMMODITIES, TECHNOLOGY OR SOFTWARE WERE EXPORTED FROM THE UNITED STATES IN ACCORDANCE WITH THE EXPORT ADMINISTRATION REGULATIONS. DIVERSION CONTRARY TO U.S. LAW PROHIBITED.

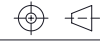
TITLE
100 MHz Phase Locked Crystal Oscillator, 10 MHz External Ref., Phase Noise -150 dBc/Hz and SMA

UNLESS OTHERWISE SPECIFIED LEADING DIMENSIONS ARE INCHES
DIMENSIONS IN [] ARE MILLIMETERS

TOLERANCES: CABLE LENGTH (L) TOLERANCES:

.X = ±.2 [5.08]	FRACTIONS	L ≤ 12 [305] = +1 [25] / -0
.XX = ±.02 [.51]	± 1/32	12 [305] < L ≤ 60 [1524] = +2 [51] / -0
.XXX = ±.005 [.13]	ANGLES ± 1°	60 [1524] < L ≤ 120 [3048] = +4 [102] / -0
		120 [3048] < L ≤ 300 [7620] = +6 [152] / -0
		300 [7620] < L = +5%L / -0

THIRD-ANGLE PROJECTION



THE INFORMATION AND DESIGN IN THIS DOCUMENT IS THE PROPERTY OF FAIRVIEW MICROWAVE CORPORATION. ALL RIGHTS RESERVED.

SHEET 1 OF 1

ALL DIMENSIONS SHOWN ARE FOR REFERENCE ONLY.

SCALE N/A

SIZE A	CAGE CODE 3FKR5	DRAWN BY K.DANG	ITEM NO. FMXP5003	REV A
-----------	--------------------	--------------------	----------------------	----------

T-Rev.D