

Times Microwave LMR-500-DB Low Loss Flexible Coax Cable Black PE Jacket

Times Microwave Systems Coax Cable Specification

Electrical Specifications

Description	Min	Typ	Max	Units
Frequency Range	DC		6	GHz
Impedance		50		Ohms
Velocity of Propagation		86		%
Time Delay		1.18 [3.87]		ns/ft [ns/m]
Shielding Effectiveness	90			dB
DWV (DC)			3,000	Vdc
Jacket Spark			8,000	Vrms
Inner Conductor DC Resist.			0.82	Ohms/1000ft
Outer Conductor DC Resist.			1.27	Ohms/1000ft
Nominal Capacitance		23.6		pF/ft
		[77.43]		[pF/m]
Nominal Inductance		0.059		uH/ft
		[0.19]		[uH/m]
Input Power (Peak)			22	kWatts

Performance by Frequency Band

Description	F1	F2	F3	F4	F5	Units
Frequency	50	150	220	450	900	MHz
Attenuation, Typ	0.7	1.2	1.5	2.2	3.1	dB/100ft
	2.3	3.94	4.92	7.22	10.17	dB/100m
Power In (CW), Max	3,393	1,931	1,583	1,088	752	Watts

Description	F6	F7	F8	F9	F10	Units
Frequency	1.5	1.8	2	2.5	6	GHz
Attenuation, Typ	4.1	4.6	4.8	5.5	8.9	dB/100ft
	13.45	15.09	15.75	18.04	29.2	dB/100m
Power In (CW), Max	569	515	485	428	264	Watts

Electrical Specification Notes:

Values at 25°C, sea level.

Attenuation = $0.096590 * \sqrt{\text{FMHz}} + 0.000260$

Mechanical Specifications

Diameter	0.5 in [12.7 mm]
Weight	0.102 lbs/ft [0.15 kg/m]
Min. Bend Radius (Installation)	1.25 in [31.75 mm]
Min. Bend Radius (Repeated)	5 in [127 mm]
Bending Moment	1.75 lbs-ft [2.37 N-m]



Configuration:

- Low Loss, Outdoor/Watertight Flexible Cable
- 2 Shield(s)

Features:

- Easily Routed
- Low Loss Cable
- RF Shielding > 90dB
- Designed for Outdoor Use
- Watertight

Applications:

- Jumper Assemblies
- Short Antenna Feeder Runs
- Wireless Communications

Fairview Microwave
 301 Leora Ln., Suite 100
 Lewisville, TX 75056
 Tel: 1-800-715-4396 / (972) 649-6678
 Fax: (972) 649-6689
www.fairviewmicrowave.com
sales@fairviewmicrowave.com

Tensile Strength 260 lbs [117.93 kg]
Flat Plate Crush 50 lbs/in [0.89 kg/mm]

Construction Specifications

Description	Material and Plating	Diameter
Inner Conductor	Copper Clad Aluminum, 1 Strands	0.142 in [3.61 mm]
Conductor Type	Solid	
Dielectric	PE (F)	0.37 in [9.4 mm]
First Shield	Aluminum Tape	0.376 in [9.55 mm]
Second Shield	Tinned Copper	0.405 in [10.29 mm]
Jacket	PE, Black	0.5 in [12.7 mm]

Environmental Specifications

Temperature

Operating Range -40 to +85 deg C
Installation Range -40 to +85 deg C
Storage Range -70 to +85 deg C

Environmental Specification Notes:
Outdoor/Watertight

Compliance Certifications (see [product page](#) for current document)

Plotted and Other Data

Notes:

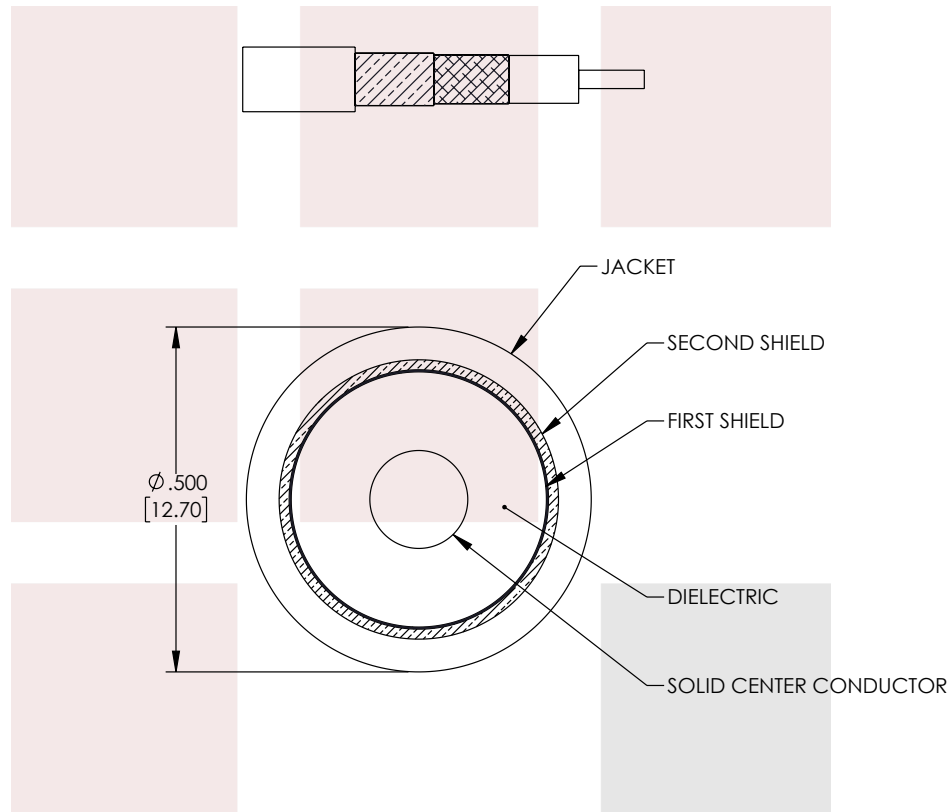
Times Microwave LMR-500-DB Low Loss Flexible Coax Cable Black PE Jacket from Fairview Microwave has same day shipment for domestic and International orders. Our RF, microwave and millimeter wave products maintain a 99% availability and are part of the broadest selection in the industry.

Click the following link to obtain additional part information: [Times Microwave LMR-500-DB Low Loss Flexible Coax Cable Black PE Jacket LMR-500-DB-BULK](#)

URL: <https://www.fairviewmicrowave.com/lmr500db-low-loss-flexible-coax-cable-pe-jacket-lmr-500-db-bulk-p.aspx>

The information contained in this document is accurate to the best of our knowledge and representative of the part described herein. It may be necessary to make modifications to the part and/or the documentation of the part, in order to implement improvements. Fairview Microwave reserves the right to make such changes as required. Unless otherwise stated, all specifications are nominal. Fairview Microwave does not make any representation or warranty regarding the suitability of the part described herein for any particular purpose, and Fairview Microwave does not assume any liability arising out of the use of any part or documentation.

REVISIONS			
REV.	DESCRIPTION	DATE	APPROVED
A	INITIAL RELEASE	02/13/2023	AGANWANI



THESE COMMODITIES, TECHNOLOGY OR SOFTWARE WERE EXPORTED FROM THE UNITED STATES IN ACCORDANCE WITH THE EXPORT ADMINISTRATION REGULATIONS. DIVERSION CONTRARY TO U.S. LAW PROHIBITED.

<p>Fairview Microwave an INFINIT[®] brand</p>	<p>UNLESS OTHERWISE SPECIFIED LEADING DIMENSIONS ARE INCHES DIMENSIONS IN [] ARE MILLIMETERS</p> <p>TOLERANCES: CABLE LENGTH (L) TOLERANCES:</p> <table border="0"> <tr> <td>.X = ±.2 [5.08]</td> <td>FRACTIONS</td> <td>L ≤ 12 [305] = +1 [25] / -0</td> </tr> <tr> <td>.XX = ±.02 [.51]</td> <td>± 1/32</td> <td>12 [305] < L ≤ 60 [1524] = +2 [51] / -0</td> </tr> <tr> <td>.XXX = ±.005 [.13]</td> <td>ANGLES ± 1°</td> <td>60 [1524] < L ≤ 120 [3048] = +4 [102] / -0</td> </tr> <tr> <td></td> <td></td> <td>120 [3048] < L ≤ 300 [7620] = +6 [152] / -0</td> </tr> <tr> <td></td> <td></td> <td>300 [7620] < L = +5%L / -0</td> </tr> </table>	.X = ±.2 [5.08]	FRACTIONS	L ≤ 12 [305] = +1 [25] / -0	.XX = ±.02 [.51]	± 1/32	12 [305] < L ≤ 60 [1524] = +2 [51] / -0	.XXX = ±.005 [.13]	ANGLES ± 1°	60 [1524] < L ≤ 120 [3048] = +4 [102] / -0			120 [3048] < L ≤ 300 [7620] = +6 [152] / -0			300 [7620] < L = +5%L / -0	<p>THIRD-ANGLE PROJECTION</p> <p>THE INFORMATION AND DESIGN IN THIS DOCUMENT IS THE PROPERTY OF FAIRVIEW MICROWAVE CORPORATION. ALL RIGHTS RESERVED.</p> <p>SHEET 1 OF 1</p>
	.X = ±.2 [5.08]	FRACTIONS	L ≤ 12 [305] = +1 [25] / -0														
.XX = ±.02 [.51]	± 1/32	12 [305] < L ≤ 60 [1524] = +2 [51] / -0															
.XXX = ±.005 [.13]	ANGLES ± 1°	60 [1524] < L ≤ 120 [3048] = +4 [102] / -0															
		120 [3048] < L ≤ 300 [7620] = +6 [152] / -0															
		300 [7620] < L = +5%L / -0															
<p>TITLE</p> <p>Times Microwave LMR-500-DB Low Loss Flexible Coax Cable Black PE Jacket</p>	<p>ALL DIMENSIONS SHOWN ARE FOR REFERENCE ONLY.</p> <table border="1"> <tr> <td>SIZE</td> <td>CAGE CODE</td> <td>DRAWN BY</td> <td>ITEM NO.</td> <td>REV</td> </tr> <tr> <td>A</td> <td>3FKR5</td> <td>AKRESOWSKI</td> <td>LMR-500-DB-BULK</td> <td>A</td> </tr> </table>	SIZE	CAGE CODE	DRAWN BY	ITEM NO.	REV	A	3FKR5	AKRESOWSKI	LMR-500-DB-BULK	A	<p>SCALE</p> <p>N/A</p>					
SIZE	CAGE CODE	DRAWN BY	ITEM NO.	REV													
A	3FKR5	AKRESOWSKI	LMR-500-DB-BULK	A													

T-Rev.D