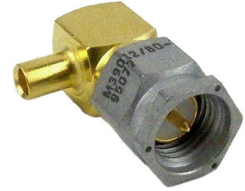


M39012/80-3007 RA SMA Male (Plug)
Connector For RG405 Cable, Solder



M39012/80-3007

Configuration

- SMA Male Connector
- 50 Ohms
- Right Angle Body Geometry
- Connector Interface Types: RG405
- 5/16 inch Hex

Features

- General Purpose Test
- Custom Cable Assemblies

Applications

- Operating Frequency of 12.4 GHz Max
- Excellent VSWR of 1.22:1
- Gold Plated Beryllium Copper Contact
- Contact Plating According to MIL-G-45204

Description

RA SMA male connector with solder/solder attachment for RG405, part number M39012/80-3007, from Fairview Microwave is in-stock and ships same day. This SMA male connector operates up to a maximum frequency of 12.4 GHz and offers excellent VSWR of 1.22:1. Its right angle body geometry facilitates connections in tight spaces.

Fairview's RA SMA male connector M39012/80-3007 datasheet specifications and outline drawing are shown in this PDF below. Our extensive offering of RF, microwave and millimeter wave connectors allows designers to configure and customize their signal connections however they like. From providing an I/O for a board design to creating a custom cable assembly configuration, Fairview Microwave has a connector solution to meet your needs. Fairview Microwave also has the expertise to build your custom cable assemblies for you and ship them same-day.

Electrical Specifications

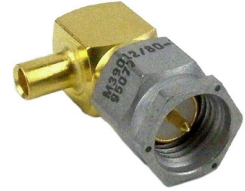
Description	Minimum	Typical	Maximum	Units
Frequency Range	DC		12.4	GHz
VSWR			1.22:1	
Insertion Loss			0.18	dB
Operating Voltage (AC)			335	Vrms
Dielectric Withstanding Voltage (AC)			1,000	Vrms
High Potential Voltage @ 5 MHz			670	Vrms
Inner Conductor DC Resistance			4	mOhms
Outer Conductor DC Resistance			2	mOhms
Insulation Resistance	5,000			MOhms
RF Leakage	90			
Impedance		50		Ohms

Mechanical Specifications

Size

Length	0.738 in [18.75 mm]
Width	0.95 in [24.13 mm]
Height	0.312 in [7.92 mm]
Weight	0.01235 lbs [5.6 g]

M39012/80-3007 RA SMA Male (Plug)
Connector For RG405 Cable, Solder



M39012/80-3007

Mating Cycles	500 Cycles
---------------	------------

Material Specifications

Description	Material	Plating
Contact	Beryllium Copper	Gold MIL-G-45204
Insulation	PTFE	
Body	Stainless Steel	Gold MIL-G-45204
Coupling Nut	Passivated Stainless Steel	

Environmental Specifications

Temperature

Operating Range	-65 to +105 deg C
Shock	MIL-STD-202 Method 213 Condition I
Vibration	MIL-STD-202 Method 204 Condition D
Altitude	MIL-STD-202 Method 106 Condition C (70,000 ft) (250 VRMS)
Temperature Cycle	MIL-STD-202 Method 107 Condition B (-65°C to 115°C)
Salt Spray	MIL-STD-202 Method 101 Condition B

Compliance Certifications (see [product page](#) for current document)

Plotted and Other Data

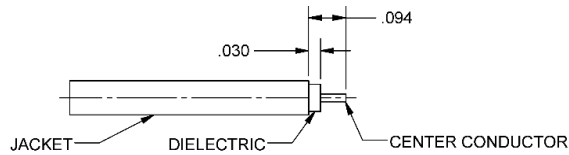
Notes:

M39012/80-3007 RA SMA Male (Plug)
Connector For RG405 Cable, Solder

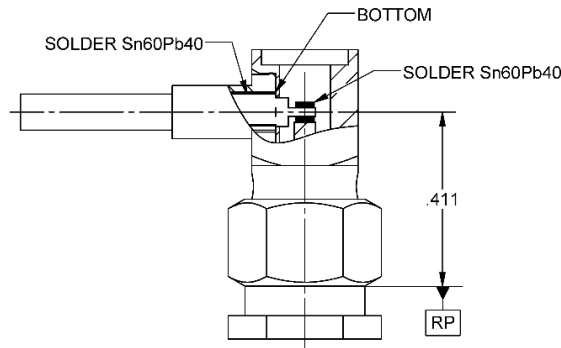


M39012/80-3007

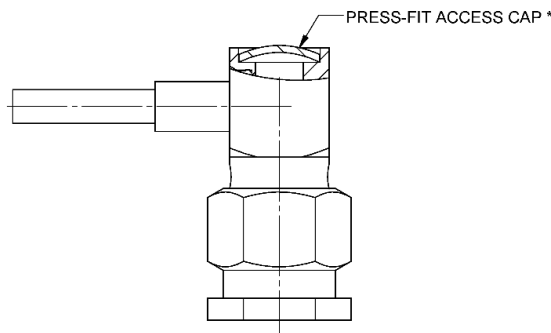
Assembly Instruction



- 1) Trim insulator and jacket to dimensions shown.
Be careful not to nick the center conductor.
NOTE:
To minimize cable dielectric growth during
Soldering operation, normalize cable thermal cycle
Per MIL-DTL-17 prior to final trim.

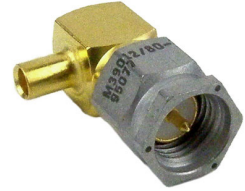


- 2) Assemble cable into connector assembly, ensure center conductor is positioned into contact slot and ensure cable jacket is bottomed in body.
Solder cable to connector using sn60pb40 solder.
Solder center conductor to contact using sn60pb40 solder.



- 3) Assemble access cap and press in place.
*Gold plated caps may be soldered using sn60pb40 solder.

M39012/80-3007 RA SMA Male (Plug) Connector For RG405 Cable, Solder



M39012/80-3007

M39012/80-3007 RA SMA Male (Plug) Connector For RG405 Cable, Solder from Fairview Microwave is in-stock and available to ship same-day. All of our RF/microwave products are available off-the-shelf from our ISO 9001:2008 certified facilities in Lewisville, Texas. Fairview Microwave is RF on-demand.

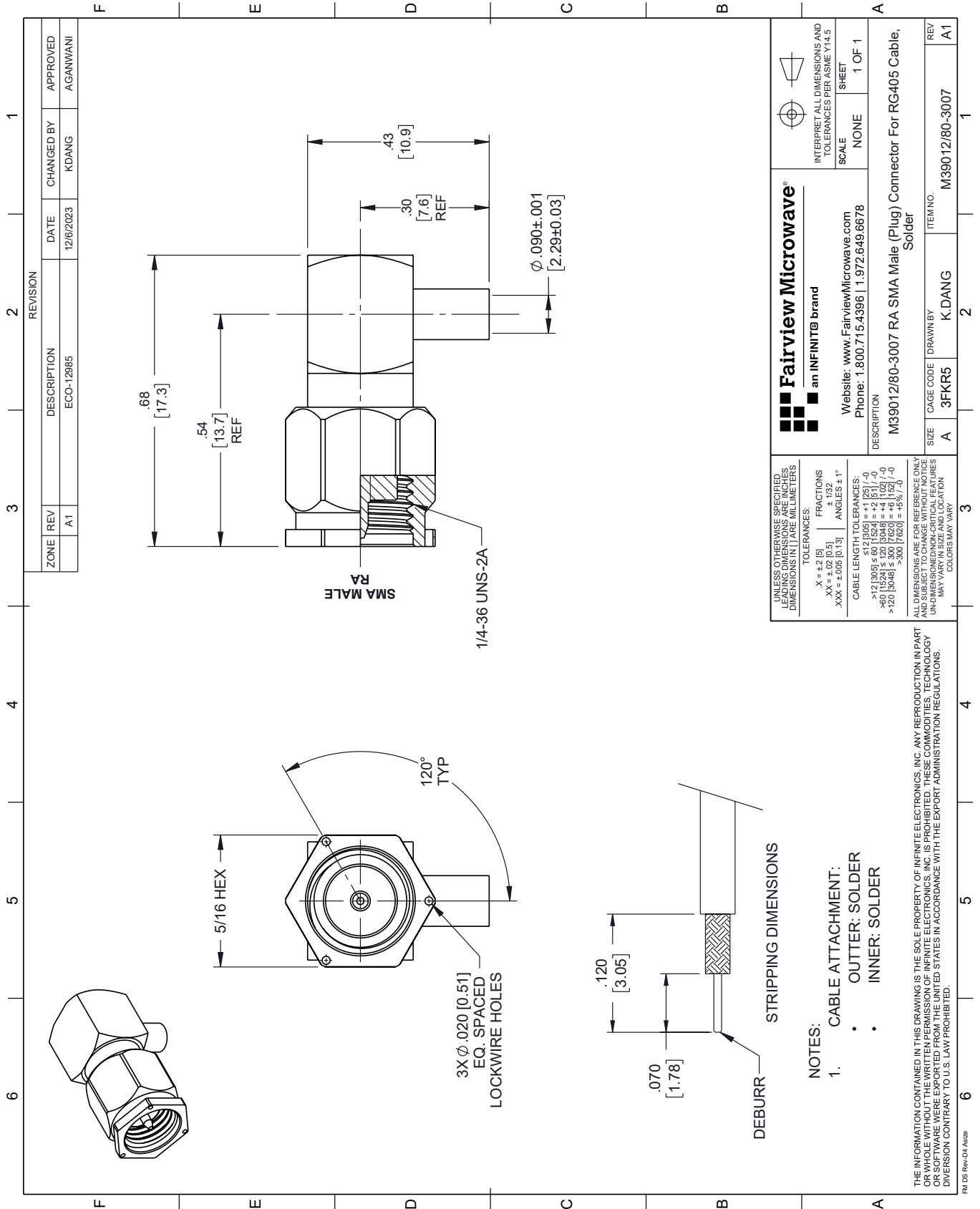
For additional information on this product, please click the following link: [M39012/80-3007 RA SMA Male \(Plug\) Connector For RG405 Cable, Solder M39012/80-3007](https://www.fairviewmicrowave.com/sma-male-rg405-connector-m39012-80-3007-p.aspx)

URL: <https://www.fairviewmicrowave.com/sma-male-rg405-connector-m39012-80-3007-p.aspx>

The information contained within this document is accurate to the best of our knowledge and representative of the part described herein. It may be necessary to make modifications to the part and/or the documentation of the part in order to implement improvements. Fairview Microwave reserves the right to make such changes as required. Unless otherwise stated, all specifications are nominal. Fairview Microwave does not make any representation or warranty regarding the suitability of the part described herein for any particular purpose, and Fairview Microwave does not assume liability arising out of the use of any part or document.

M39012/80-3007 CAD Drawing

M39012/80-3007 RA SMA Male (Plug) Connector For RG405 Cable, Solder



UNLESS OTHERWISE SPECIFIED, ALL DIMENSIONS ARE IN INCHES. DIMENSIONS IN [] ARE MILLIMETERS.
 TOLERANCES:
 .X = ±.2 (5) FRACTIONS ±.132
 .XX = ±.02 (0.5) ±.102
 .XXX = ±.005 (0.13) ANGLES ± 1°
 CABLE LENGTH TOLERANCES:
 <12 (305) ≤ 60 (1524) = ±.125 (3.18) / -0
 >60 (1524) ≤ 120 (3048) = ±.102 (2.59) / -0
 >120 (3048) ≤ 300 (7620) = ±.075 (1.9) / -0
 ALL DIMENSIONS ARE FOR REFERENCE ONLY. UNLESS OTHERWISE SPECIFIED, DIMENSIONS ARE IN INCHES. DIMENSIONS IN [] ARE MILLIMETERS. COLORS MAY VARY.

THE INFORMATION CONTAINED IN THIS DRAWING IS THE SOLE PROPERTY OF INFINITE ELECTRONICS, INC. ANY REPRODUCTION IN PART OR WHOLE WITHOUT THE WRITTEN PERMISSION OF INFINITE ELECTRONICS, INC. IS PROHIBITED. THESE COMMODITIES, TECHNOLOGY OR SOFTWARE ARE EXPORTED FROM THE UNITED STATES IN ACCORDANCE WITH THE EXPORT ADMINISTRATION REGULATIONS. DIVISION CONTRARY TO U.S. LAW PROHIBITED.

PM DS Rev-D4 Alt2