

M55339/28-30001

NOTES:

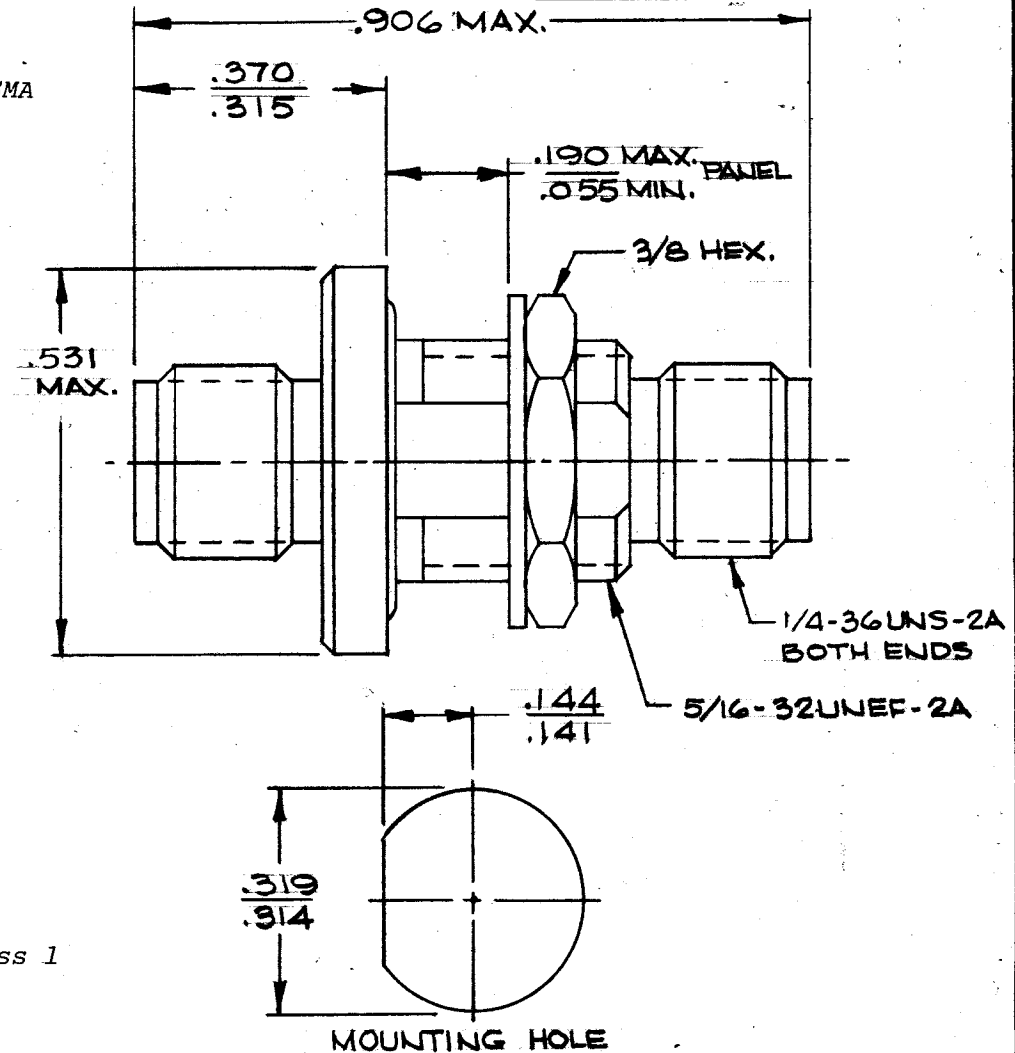
1. MATING: Interface dimensions per Mil-A-55339/SMA Series & Solitron/Microwave MD-107.

2. MATERIALS:

ALL METAL PARTS
 EXCEPT CONTACT..Stainless Steel per AMS-5640 Type 303, Cond. A.
 CONTACT.....Beryllium Copper per QQ-C-530, Cond. HT., Alloy 173.
 PIN.....Kovar.
 GLASS BEAD.....Corning # 7052.
 O' RING.....Nitrile (BUNA N) per Mil-P-2573, Durometer 75.
 INSULATOR.....Teflon per Mil-P-19468 & L-P-403, Type 1.

3. FINISH:

ALL METAL PARTS
 EXCEPT CONTACT..Passivate per QQ-P-35A, Type 1.
 CONTACT.....Gold per Mil-G-45204, Type 1, Grade C, Class 1; over Copper per Mil-C-14550, Class 4.
 PIN.....Gold per Mil-G-45204, Type 1 Grade C, Class 1; over Nickel per QQ-N-290, Class 1 (.00015 Min.).



SYM	DESCRIPTION	DATE	APPR.	UNLESS OTHERWISE SPECIFIED 1. ALL DIMENSIONS ARE AFTER PLATING 2. BREAK ALL CORNERS & EDGES .005 R MAX. 3. CHAMFER 1ST & LAST THREADS 45° 4. SURFACE ROUGHNESS 63 ✓ MIL-STD-10 5. DIAMETERS ON COMMON CENTERS TO BE CONCENTRIC WITHIN T.I.R. 6. REMOVE ALL BURRS	SOLITRON/MICROWAVE PORT SALERNO, FLORIDA		REF.
							ENGINEERING DATA DRAWING
-	REL.DCNF-10323	2/86	D		MATERIAL		TITLE
					FINISH		SMA JACK TO SMA JACK ADAPTER, JAMNUT MOUNT, HERMETIC SEAL
					AREA		
					SCALE	CODE IDENT. NO.	DRAWING NO.
					-	95077	M55339/28-30001
						SIZE	SHEET 1 OF 2
						A	
					CHECKED	DATE	
					APPROVED	DATE	

ENG. FILE COPY

S/M DESIGN STANDARDS

DRAWING NO.
M55339/28-30001

REQUIREMENTS	RATINGS	REQUIREMENTS	RATINGS
Nominal Impedance (ohms)	50	Vibration	MIL-STD-202 Method 204 Cond. D (20G's)
Frequency Range (ghz)	DC - 12.4	Shock	MIL-STD-202 Method 213 Cond. I (100G's)
Voltage Rating (max. vrms)	335	Temperature Cycling	MIL-STD-202 Method 107 - Cond. B (-65°C to +200 ° C)
Temperature Rating (degrees centigrade)	-65° to +165°	Corrosion	MIL-STD-202 Method 101 Cond. B (48 Hrs.)
VSWR (max.)	$1.10 + .015 \times \text{FGHZ}$	Moisture Resistance	MIL-STD-202 Method 106 Less Step 7b
Insertion Loss (dB max.)	$.05 \times \sqrt{\text{FGHZ}}$	Barometric Pressure (Altitude)	MIL-STD-202 Method 105 - Cond. C (70,000 ft) (250 vrms)
RF Leakage (min. dB down)	60 dB-FGHZ	Hermeticity	1×10^{-7} cc/SEC.
RF High Potential (max. vrms)	670 at 5MHZ	CAPTIVATION: Center Contact (Min. Axial Force)	6 lbs.
Dielectric Withstanding Voltage (max. vrms)	1000		
Insulation Resistance (min. megohms)	5000		
Contact Resistance: Center Contact (max. milliohms) Outer Contact (max. milliohms)	8.0 4.0		
Center Contact Axial Forces: Insertion (max. ounces) Withdrawal (min. ounces)	48.0 1.0		
Connector Durability (min. cycles)	500		
Connector Engagement & Disengagement (max. inch lbs.)	2.0		

REMARKS: 1) Recommended Mating Torque: 7 - 10 Inch Pounds.

TITLE: SMA JACK TO JACK BULKHEAD
ADAPTER HERMETIC SEAL.

SOLITRON/MICROWAVE
PORT SALERNO, FLORIDA

SHT. 2 of 2

DRAWING NO.
M55339/28-30001

REV.
-