

SMA F'S DIRECTIONAL COUPLER 1-2 GHZ

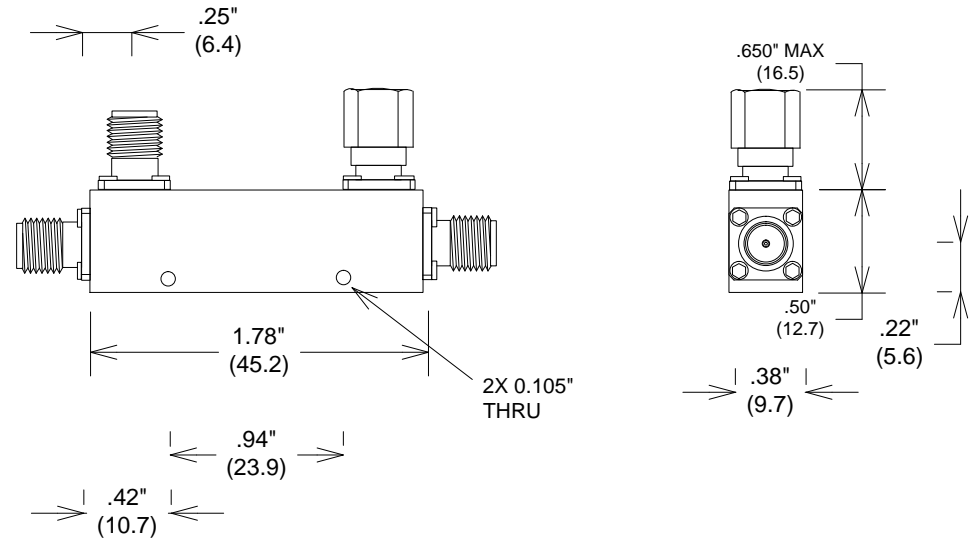
MC2017-XX

SPECIFICATIONS

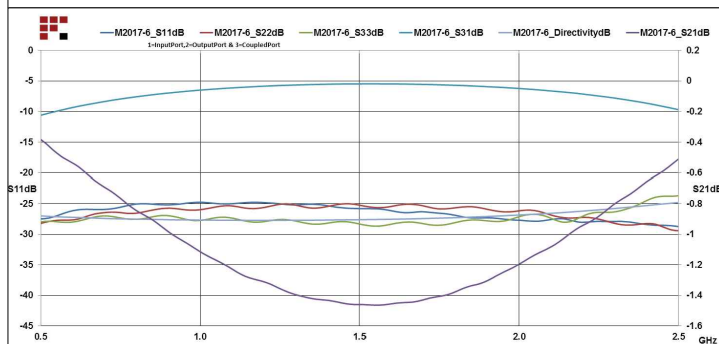
ELECTRICAL:

- FREQUENCY: 1-2 GHZ
- MAX POWER CW:
- 06dB: 4 Watts
- 10dB: 10 Watts
- 20dB & 30dB: 50 Watts
- FLATNESS +/- 1.0DB (6DB)
- FLATNESS +/- 1.25DB (10-30DB)
- IMPEDANCE: 50 OHMS
- DIRECTIVITY 25DB MIN
- VSWR 1.2 MAX
- INS LOSS 1.75DB MAX (6DB);
- 0.8DB MAX (10DB)
- 0.5DB MAX (20DB)
- 0.4DB MAX (30DB)

- INTERFACE: MIL-STD-883
- CONTACT PLATING Au 30μ-in
- FEMALE CONTACTS BeCu
- OP TEMP -55-110°C
- ROHS COMPLIANT



MEASUREMENTS BELOW ARE TYPICAL



ALL DIMENSIONS IN inches(MM) Typical

FAIRVIEW MICROWAVE INC.

ALLEN, TX 75013 WWW.FAIRVIEWMICROWAVE.COM

TITLE

**SMA F'S DIRECTIONAL COUPLER
1-2 GHZ**

SIZE A	CAGE CODE 3FKR5	DWG NO MC2017-XX	REV B
------------------	---------------------------	----------------------------	-----------------

SCALE

SHEET