

## 15 dB Fixed Attenuator SMA Male to SMA Female Up to 6 GHz Rated to 2 Watts with Passivated Stainless Steel Body

Fairview Microwave carries a broad selection of fixed attenuators with a wide range of attenuation levels, frequency ranges, and power dissipation ranges. Also known as RF pads, RF microwave attenuators lower the amplitude of a signal (or attenuate) a known amount. These attenuator pads can be used in a wide variety of applications including reducing a signal level to protect measurement equipment or other circuitry, extending the range of power meters and amplifiers, and impedance matching circuits by reducing the VSWR seen by adjacent components. RF attenuators can prevent signal overload in amplifiers, receivers and detectors, adjusting the signal level to a range that is optimal.

Few RF components are as commonly used as fixed coaxial attenuators, and Fairview Microwave carries one of the largest in-stock varieties and ships them same day. The SA6A-15 is a 15 dB Fixed Attenuator that operates from DC to 6 GHz and is rated to 2 Watts. The versatile coaxial package uses SMA male to SMA female connectors and is also REACH and RoHS compliant.



### Features:

- DC to 6 GHz Frequency Range
- Attenuation 15dB Typical
- Max Power 2 Watts (CW)
- VSWR < 1.30:1 Max

### Applications:

- Instrumentation
- Precision measurements
- Prototyping and characterization
- Production systems

### Electrical Specifications

Description	Min	Typ	Max	Units
Frequency Range	DC		6	GHz
Impedance		50		Ohms
Nominal Attenuation		15		dB
Attenuation Accuracy		0.5		dB
VSWR			1.3:1	
Input Power, CW			2	Watts
Input Power, Peak			200	Watts

### Specifications by Frequency

Description	F1	F2	F3	F4	F5	Units
Range	DC to 2.5	2.5 to 6				GHz
VSWR, Max	1.15:1	1.3:1				

### Mechanical Specifications

#### Size

Length	1.03 in [26.16 mm]
Width/Diameter	0.312 in [7.92 mm]
Body Material and Plating	Passivated Stainless Steel

#### Configuration

Design	Fixed
Package Style	Connectorized Module

Fairview Microwave  
 301 Leora Ln., Suite 100  
 Lewisville, TX 75056  
 Tel: 1-800-715-4396 / (972) 649-6678  
 Fax: (972) 649-6689  
[www.fairviewmicrowave.com](http://www.fairviewmicrowave.com)  
[sales@fairviewmicrowave.com](mailto:sales@fairviewmicrowave.com)

**Connectors**

Description	Connector 1	Connector 2
Type	SMA Male	SMA Female
Contact Material & Plating	Beryllium Copper, Gold	Beryllium Copper, Gold
Hex Size	5/16 inch	
Torque	7 in-lbs [0.79 Nm]	
Body Material & Plating	Passivated Stainless Steel	Passivated Stainless Steel

**Environmental Specifications**
**Temperature**

Operating Range -65 to +125 deg C

**Compliance Certifications** (see [product page](#) for current document)

**Plotted and Other Data**

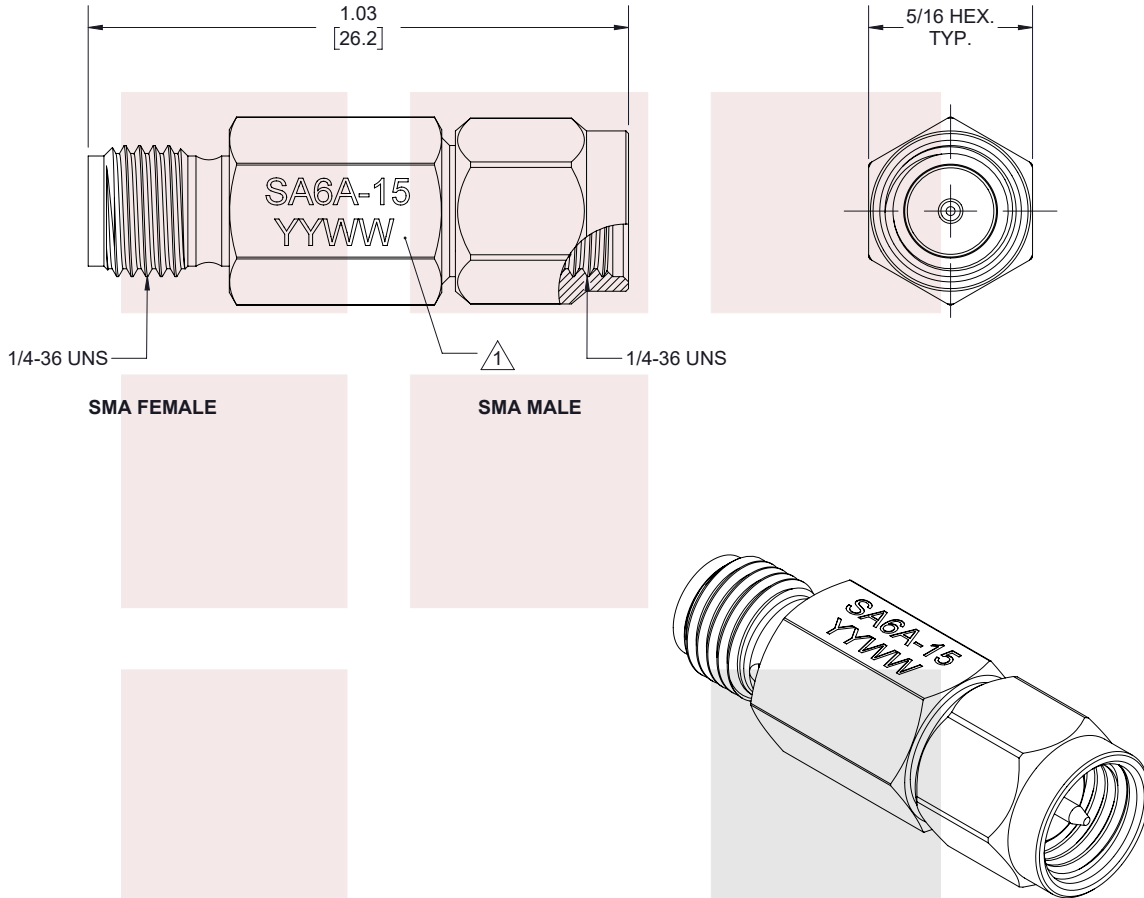
Notes:

15 dB Fixed Attenuator SMA Male to SMA Female Up to 6 GHz Rated to 2 Watts with Passivated Stainless Steel Body from Fairview Microwave is in-stock and available to ship same-day. All of our RF/microwave products are available off-the-shelf from our ISO 9001:2008 certified facilities in Lewisville, Texas. Fairview Microwave is RF on-demand.

For additional information on this product, please click the following link: [15 dB Fixed Attenuator SMA Male to SMA Female Up to 6 GHz Rated to 2 Watts with Passivated Stainless Steel Body SA6A-15](#)

URL: <https://www.fairviewmicrowave.com/15db-fixed-attenuator-sma-male-sma-female-2-watts-sa6a-15-p.aspx>

The information contained in this document is accurate to the best of our knowledge and representative of the part described herein. It may be necessary to make modifications to the part and/or the documentation of the part, in order to implement improvements. Fairview Microwave reserves the right to make such changes as required. Unless otherwise stated, all specifications are nominal. Fairview Microwave does not make any representation or warranty regarding the suitability of the part described herein for any particular purpose, and Fairview Microwave does not assume any liability arising out of the use of any part or documentation.




**STANDARD TOLERANCES**

.X ±0.2  
.XX ±0.01  
.XXX ±0.005

**NOTES:**

- MARKING TO BE AS LARGE AS POSSIBLE, CLEAR AND READABLE.  
YYWW EQUALS DATE CODE.

\*STANDARD TOLERANCES APPLY ONLY TO DIMENSIONS IN INCHES

	NOTES: 1. UNLESS OTHERWISE SPECIFIED ALL DIMENSIONS ARE NOMINAL. 2. ALL SPECIFICATIONS ARE SUBJECT TO CHANGE WITHOUT NOTICE AT ANY TIME. 3. DIMENSIONS ARE IN INCHES [mm].	
	TITLE 15 dB Fixed Attenuator SMA Male to SMA Female Up to 6 GHz Rated to 2 Watts with Passivated Stainless Steel Body	DWG NO SA6A-15
CAD FILE 01/02/19	SHEET 1 OF 1	SCALE N/A SIZE A 7361