

15 dB Fixed Attenuator SMA Male (Plug) to SMA Female (Jack) Up to 6 GHz Rated to 2 Watts, Passivated Stainless Steel Body, 1.3 VSWR

Fairview Microwave carries a broad selection of fixed attenuators with a wide range of attenuation levels, frequency ranges, and power dissipation ranges. Also known as RF pads, RF microwave attenuators lower the amplitude of a signal (or attenuate) a known amount. These attenuator pads can be used in a wide variety of applications including reducing a signal level to protect measurement equipment or other circuitry, extending the range of power meters and amplifiers, and impedance matching circuits by reducing the VSWR seen by adjacent components. RF attenuators can prevent signal overload in amplifiers, receivers and detectors, adjusting the signal level to a range that is optimal.

Few RF components are as commonly used as fixed coaxial attenuators, and Fairview Microwave carries one of the largest in-stock varieties and ships them same day. The SA6HA-15 is a 15 dB Fixed Attenuator that operates from DC to 6 GHz and is rated to 2 Watts. The versatile coaxial package uses SMA male to SMA female connectors and is also REACH and RoHS compliant.



Features:

- DC to 6 GHz Frequency Range
- Attenuation 15dB Typical
- Max Power 2 Watts (CW)
- VSWR < 1.30:1

Applications:

- Instrumentation
- Precision measurements
- Prototyping and characterization
- Production systems

Electrical Specifications

| Description | Min | Typ | Max | Units |
|---|-----|-----|-------|-------|
| Frequency Range | DC | | 6 | GHz |
| Impedance | | 50 | | Ohms |
| Nominal Attenuation | | 15 | | dB |
| Attenuation Accuracy | | | 0.5 | dB |
| VSWR | | | 1.3:1 | |
| Input Power, CW derated linearly to 0.2W at +125°C | | | 2 | Watts |
| Input Power, Peak 5µs pulse, 0.01% duty cycle | | | 200 | Watts |

Specifications by Frequency

| Description | F1 | F2 | F3 | F4 | F5 | Units |
|-------------|-----------|----------|----|----|----|-------|
| Range | DC to 2.5 | 2.5 to 6 | | | | GHz |
| VSWR, Max | 1.15:1 | 1.3:1 | | | | |

Mechanical Specifications

| | |
|---------------------------|----------------------------|
| Size | |
| Length | 1.03 in [26.16 mm] |
| Width/Diameter | 0.312 in [7.92 mm] |
| Height | 0 in [0 mm] |
| Weight | 0.5 lbs [226.8 g] |
| Body Material and Plating | Passivated Stainless Steel |

Configuration

| | |
|---------------|----------------------|
| Design | Fixed |
| Package Style | Connectorized Module |

Fairview Microwave
 301 Leora Ln., Suite 100
 Lewisville, TX 75056
 Tel: 1-800-715-4396 / (972) 649-6678
 Fax: (972) 649-6689
www.fairviewmicrowave.com
sales@fairviewmicrowave.com

Connectors

| Description | Connector 1 | Connector 2 |
|----------------------------|----------------------------|----------------------------|
| Type | SMA Male | SMA Female |
| Contact Material & Plating | Beryllium Copper, Gold | Beryllium Copper, Gold |
| Dielectric Type | Teflon | Teflon |
| Hex Size | 5/16 inch | 5/16 inch |
| Torque | 8 in-lbs [0.9 Nm] | |
| Body Material & Plating | Passivated Stainless Steel | Passivated Stainless Steel |

Environmental Specifications
Temperature

Operating Range -65 to +125 deg C

Compliance Certifications (see [product page](#) for current document)

Plotted and Other Data

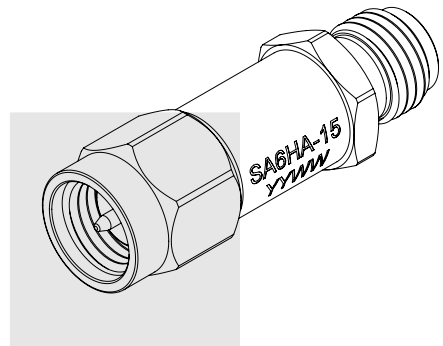
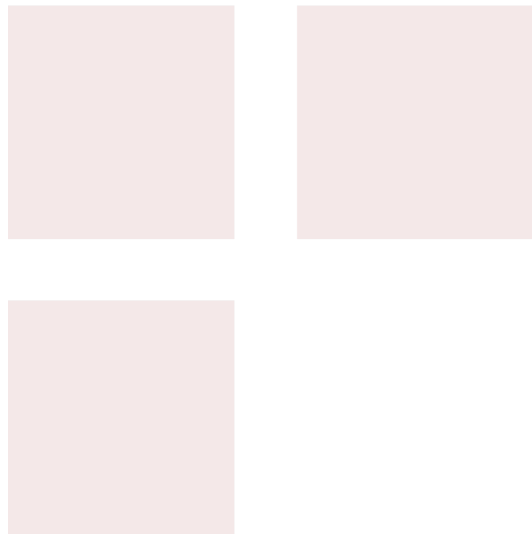
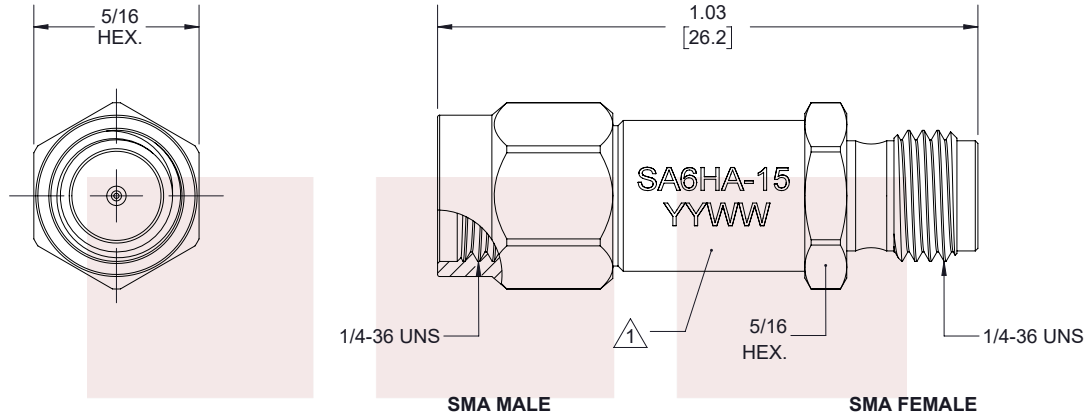
Notes:

15 dB Fixed Attenuator SMA Male (Plug) to SMA Female (Jack) Up to 6 GHz Rated to 2 Watts, Passivated Stainless Steel Body, 1.3 VSWR from Fairview Microwave is in-stock and available to ship same-day. All of our RF/microwave products are available off-the-shelf from our ISO 9001:2008 certified facilities in Lewisville, Texas. Fairview Microwave is RF on-demand.

For additional information on this product, please click the following link: [15 dB Fixed Attenuator SMA Male \(Plug\) to SMA Female \(Jack\) Up to 6 GHz Rated to 2 Watts, Passivated Stainless Steel Body, 1.3 VSWR SA6HA-15](#)

URL: <https://www.fairviewmicrowave.com/15db-fixed-attenuator-sma-male-sma-female-2-watts-sa6ha-15-p.aspx>

The information contained in this document is accurate to the best of our knowledge and representative of the part described herein. It may be necessary to make modifications to the part and/or the documentation of the part, in order to implement improvements. Fairview Microwave reserves the right to make such changes as required. Unless otherwise stated, all specifications are nominal. Fairview Microwave does not make any representation or warranty regarding the suitability of the part described herein for any particular purpose, and Fairview Microwave does not assume any liability arising out of the use of any part or documentation.



| STANDARD TOLERANCES | |
|---------------------|--------|
| .X | ±0.2 |
| .XX | ±0.01 |
| .XXX | ±0.005 |

*STANDARD TOLERANCES APPLY ONLY TO DIMENSIONS IN INCHES

- NOTES:
 1. MARKING TO BE AS LARGE AS POSSIBLE, CLEAR AND READABLE.
 YYWW EQUALS DATE CODE.

| | | | | |
|--|---|--------------------|--------------------|------|
| <p>Fairview Microwave RF COMPONENTS ON DEMAND. <i>Done!</i></p> | NOTES: 1. UNLESS OTHERWISE SPECIFIED ALL DIMENSIONS ARE NOMINAL. 2. ALL SPECIFICATIONS ARE SUBJECT TO CHANGE WITHOUT NOTICE AT ANY TIME. 3. DIMENSIONS ARE IN INCHES [mm]. | | | |
| | TITLE 15 dB Fixed Attenuator SMA Male (Plug) to SMA Female (Jack) Up to 6 GHz Rated to 2 Watts, Passivated Stainless Steel Body, 1.3 VSWR | DWG NO SA6HA-15 | CAGE CODE 3FKR5 | |
| CAD FILE 01/02/19 | SHEET 1 OF 1 | SCALE N/A | SIZE A | 7361 |