

20 dB Fixed Attenuator N Male To N Female
Directional Up To 6 GHz Rated To 100 Watts With
Black Aluminum Heatsink Body

Electrical Specifications*

| Description | Min | Typ | Max | Units |
|-------------------|-----|-----|--------|-------|
| Frequency Range | DC | | 6 | GHz |
| Impedance | | 50 | | Ohms |
| Attenuation Value | | 20 | | dB |
| Input Power | | | 100 | Watts |
| VSWR | | | 1.45:1 | |

* Values at 25°C, sea level

Specifications by Frequency

| Description | F1 | F2 | F3 | F4 | F5 | Units |
|-----------------|---------|--------|--------|----|----|-------|
| Range | DC to 2 | 2 to 4 | 4 to 6 | | | GHz |
| VSWR | 1.2:1 | 1.35:1 | 1.45:1 | | | |
| Atten. Accuracy | ± 1 | ± 1 | ± 1.25 | | | dB |

Mechanical Specifications

Temperature

Operating Range -55 to +125 deg C

Size

Length 4.9 in [124.46 mm]

Width 3.8 in [96.52 mm]

Height 2.7 in [68.58 mm]

Weight 3 lbs [1.36 Kg]

Connectors

| Description | Connector 1 | Connector 2 |
|---------------------------------|-----------------------------|-----------------------------|
| Type | N Male | N Female |
| Contact Material & Plating | Beryllium Copper, Gold | Beryllium Copper, Gold |
| Coupling Nut Material & Plating | Stainless Steel, Passivated | |
| Body Material & Plating | Stainless Steel, Passivated | Stainless Steel, Passivated |

Compliance Certifications (visit www.FairviewMicrowave.com for current document)

Plotted and Other Data

Notes:

- Values at 25 °C, sea level



Features:

- Design: Fixed, Directional Attenuator
- Connector 1: N Male
- Connector 2: N Female
- Body Material and Plating: Black Anodized Aluminum Heatsink

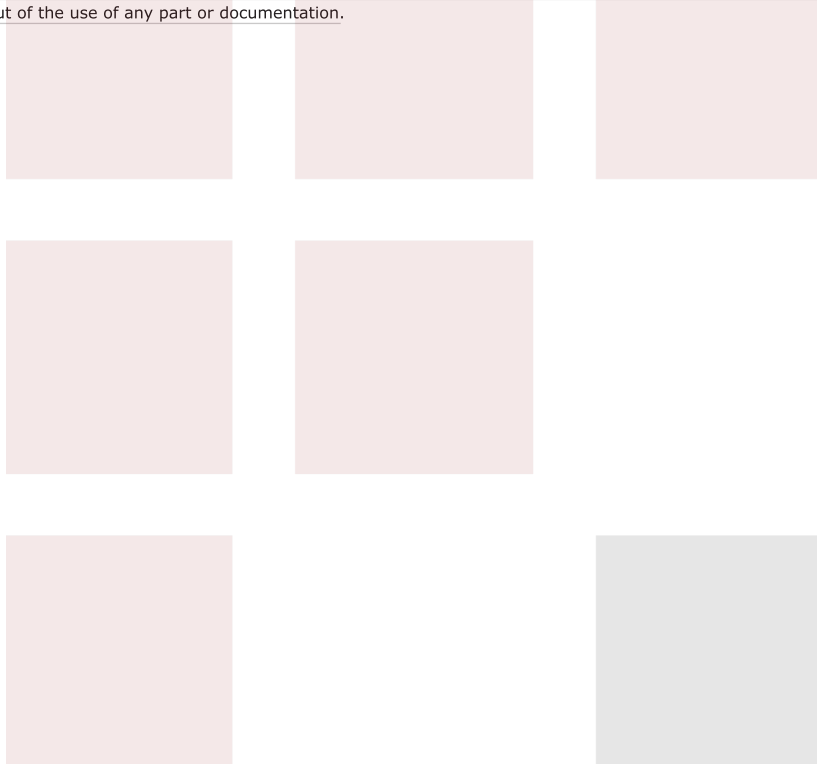
Fairview Microwave
1130 Junction Dr. #100
Allen, TX 75013
Tel: 1-800-715-4396 / (972) 649-6678
Fax: (972) 649-6689
www.fairviewmicrowave.com
sales@fairviewmicrowave.com

20 dB Fixed Attenuator N Male To N Female Directional Up To 6 GHz Rated To 100 Watts With Black Aluminum Heatsink Body from Fairview Microwave is in-stock and available to ship same-day. All of our RF/microwave products are available off-the-shelf from our ISO 9001:2008 certified facilities in Allen, Texas. Fairview Microwave is RF on-demand.

For additional information on this product, please click the following link: [20 dB Fixed Attenuator N Male To N Female Directional Up To 6 GHz Rated To 100 Watts With Black Aluminum Heatsink Body SA6NMNF100W-20](#)

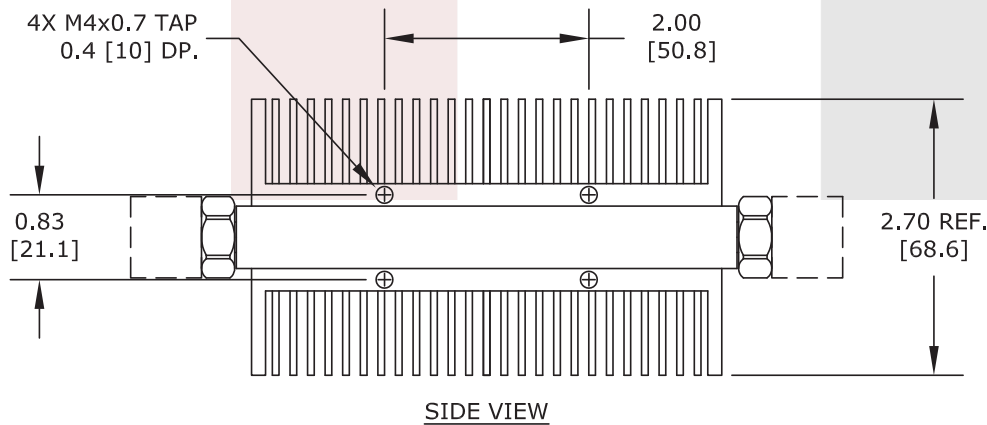
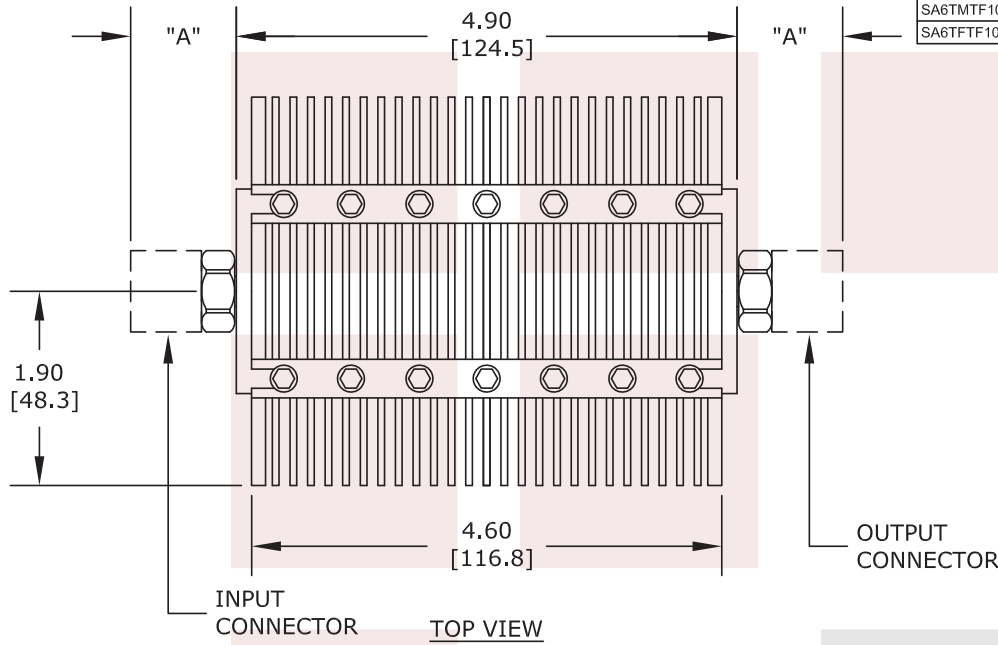
URL: <http://www.fairviewmicrowave.com/20db-fixed-attenuator-n-male-n-female-100-watts-sa6nmnf100w-20-p.aspx>

The information contained in this document is accurate to the best of our knowledge and representative of the part described herein. It may be necessary to make modifications to the part and/or the documentation of the part, in order to implement improvements. Fairview Microwave reserves the right to make such changes as required. Unless otherwise stated, all specifications are nominal. Fairview Microwave does not make any representation or warranty regarding the suitability of the part described herein for any particular purpose, and Fairview Microwave does not assume any liability arising out of the use of any part or documentation.



| Add to end of part number | |
|---------------------------|-------------|
| - yy = | Attenuation |
| - 03 | 3 dB |
| - 06 | 6 dB |
| - 10 | 10 dB |
| - 20 | 20 dB |
| - 30 | 30 dB |
| - 40 | 40 dB |
| - 50 | 50 dB |
| - 60 | 60 dB |

| Part Number Configuration | | |
|---------------------------|-----------------|------------------|
| Part Number | Input Connector | Output Connector |
| SA6DFDM100W | 7/16 Female | 7/16 Male |
| SA6DMDF100W | 7/16 Male | 7/16 Female |
| SA6DFDF100W | 7/16 Female | 7/16 Female |
| SA6NFNM100W | N Female | N Male |
| SA6NMNF100W | N Male | N Female |
| SA6NFNF100W | N Female | N Female |
| SA6SFSM100W | SMA Female | SMA Male |
| SA6SMSF100W | SMA Male | SMA Female |
| SA6SFSF100W | SMA Female | SMA Female |
| SA6FTFM100W | TNC Female | TNC Male |
| SA6FTMF100W | TNC Male | TNC Female |
| SA6FTFF100W | TNC Female | TNC Female |



| Table of Information | |
|----------------------|----------------|
| Connector Type | DIM "A" (REF.) |
| SMA Male | 0.7800 |
| SMA Female | 0.6300 |
| TNC Male | 0.9600 |
| TNC Female | 1.0600 |
| N Female | 1.0900 |
| N Male | 1.1300 |
| 7/16 Male | 1.2800 |
| 7/16 Female | 1.3200 |

| | | | | | |
|---|--------|---|-------|--------------------|-------------|
| FAIRVIEW MICROWAVE INC. ALLEN, TX 75013 WWW.FAIRVIEWMICROWAVE.COM | | NOTES: 1. UNLESS OTHERWISE SPECIFIED ALL DIMENSIONS ARE NOMINAL. 2. ALL SPECIFICATIONS ARE SUBJECT TO CHANGE WITHOUT NOTICE AT ANY TIME. 3. DIMENSIONS ARE IN INCHES [mm]. | | | |
| TITLE 20 dB Fixed Attenuator N Male To N Female Directional Up To 6 GHz Rated To 100 Watts With Black Aluminum Heatsink Body | | DWG NO SA6XXXX100w-yy | | CAGE CODE 3FKR5 | |
| CAD FILE | 062714 | SHEET | SCALE | N/A | SIZE A 2233 |