

**TNC Female Bulkhead Connector Crimp/Solder Attachment For RG316/U, RG174A/U, RG188, LMR-100 Cable IP 67 Rated**

**Configuration**

Connector TNC Female

**Electrical Specifications\***

| Description     | Min | Typ | Max    | Units |
|-----------------|-----|-----|--------|-------|
| Frequency Range | DC  |     | 3      | GHz   |
| Impedance       |     | 50  |        | Ohms  |
| VSWR            |     |     | 1.25:1 |       |

\* Values at 25°C, sea level

**Mechanical Specifications**

**Temperature**

Operating Range -40 to +85 deg C

**Size**

Length 1.12 in [28.45 mm]  
 Width/Dia. 0.75 in [19.05 mm]

**Connector**

Type TNC Female  
 Contact Material and Plating Phosphor Bronze, Gold  
 Contact Plating Specification 30µ in. minimum  
 Hex Size 5/8 in  
 Body Material and Plating Brass, Nickel  
 Dielectric Type PTFE

**Compliance Certifications** (visit [www.FairviewMicrowave.com](http://www.FairviewMicrowave.com) for current document)

RoHS Compliant Yes  
 REACH Compliant Yes



**Features:**

- Specification: MIL-STD-348
- Interface: RG316/U, RG174A/U, RG188, LMR-100
- Attachment: Crimp/Solder
- Body Style: Straight
- Mount Method: Bulkhead

Fairview Microwave  
 1130 Junction Dr. #100  
 Allen, TX 75013  
 Tel: 1-800-715-4396 / (972) 649-6678  
 Fax: (972) 649-6689  
[www.fairviewmicrowave.com](http://www.fairviewmicrowave.com)  
[sales@fairviewmicrowave.com](mailto:sales@fairviewmicrowave.com)

**Plotted and Other Data**

Notes:

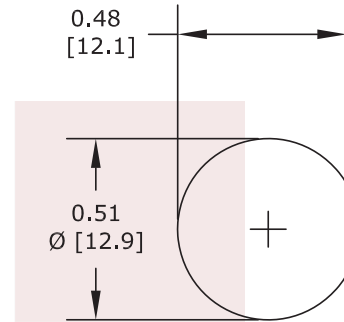
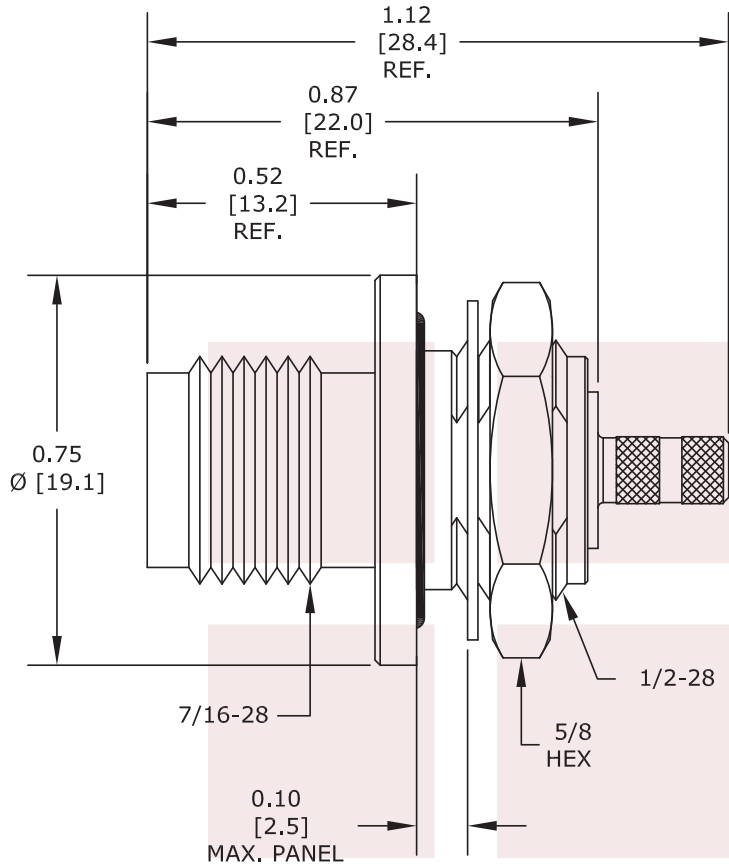
- Values at +25 °C, sea level

TNC Female Bulkhead Connector Crimp/Solder Attachment For RG316/U, RG174A/U, RG188, LMR-100 Cable IP 67 Rated from Fairview Microwave is in-stock and available to ship same-day. All of our RF/microwave products are available off-the-shelf from our ISO 9001:2008 certified facilities in Allen, Texas. Fairview Microwave is RF on-demand.

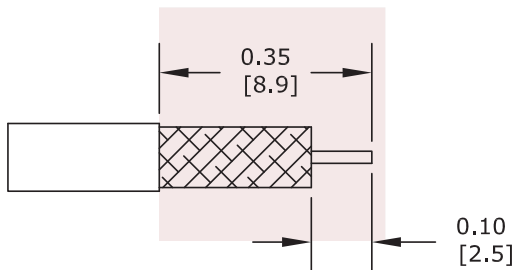
For additional information on this product, please click the following link: [TNC Female Bulkhead Connector Crimp/Solder Attachment For RG316/U, RG174A/U, RG188, LMR-100 Cable IP 67 Rated SC4255](#)

URL: <http://www.fairviewmicrowave.com/tnc-female-standard-rg316-u-rg174a-u-rg188-lmr-100-connector-sc4255-p.aspx>

The information contained in this document is accurate to the best of our knowledge and representative of the part described herein. It may be necessary to make modifications to the part and/or the documentation of the part, in order to implement improvements. Fairview Microwave reserves the right to make such changes as required. Unless otherwise stated, all specifications are nominal. Fairview Microwave does not make any representation or warranty regarding the suitability of the part described herein for any particular purpose, and Fairview Microwave does not assume any liability arising out of the use of any part or documentation.



MOUNTING HOLE



STRIPPING DIMENSIONS

CRIMP SIZE REQUIRED

CONTACT: CRIMP OR SOLDER  
 FERRULE: .178" HEX TOOL CRIMP

ASSEMBLY PROCEDURES

1. TRIM CABLE AS SHOWN
2. SLIDE CRIMP FERRULE ONTO CABLE
3. CRIMP OR SOLDER BULLET CONTACT TO THE CENTER CONDUCTOR, INSERT CABLE WITH BULLET CONTACT INTO REAR FERRULE BODY, SLIDING FOIL INTO THE BODY AND THE BRAID OVER THE BODY
4. CRIMP FERRULE

|  |        |   |       |                    |             |
|--|--------|---|-------|--------------------|-------------|
| <b>FAIRVIEW MICROWAVE INC.</b><br>ALLEN, TX 75013 WWW.FAIRVIEWMICROWAVE.COM  |        | NOTES:<br>1. UNLESS OTHERWISE SPECIFIED ALL DIMENSIONS ARE NOMINAL.<br>2. ALL SPECIFICATIONS ARE SUBJECT TO CHANGE WITHOUT NOTICE AT ANY TIME.<br>3. DIMENSIONS ARE IN INCHES [mm]. |       |                    |             |
| TITLE<br>TNC Female Bulkhead Connector Crimp/Solder Attachment For RG316/U, RG174A/U, RG188, LMR-100 Cable IP 67 Rated |        | DWG NO<br>SC4255  |       | CAGE CODE<br>3FKR5 |             |
| CAD FILE   | 081514 | SHEET   | SCALE | N/A                | SIZE A 2233 |