

N FEMALE BULKHEAD

SC9275

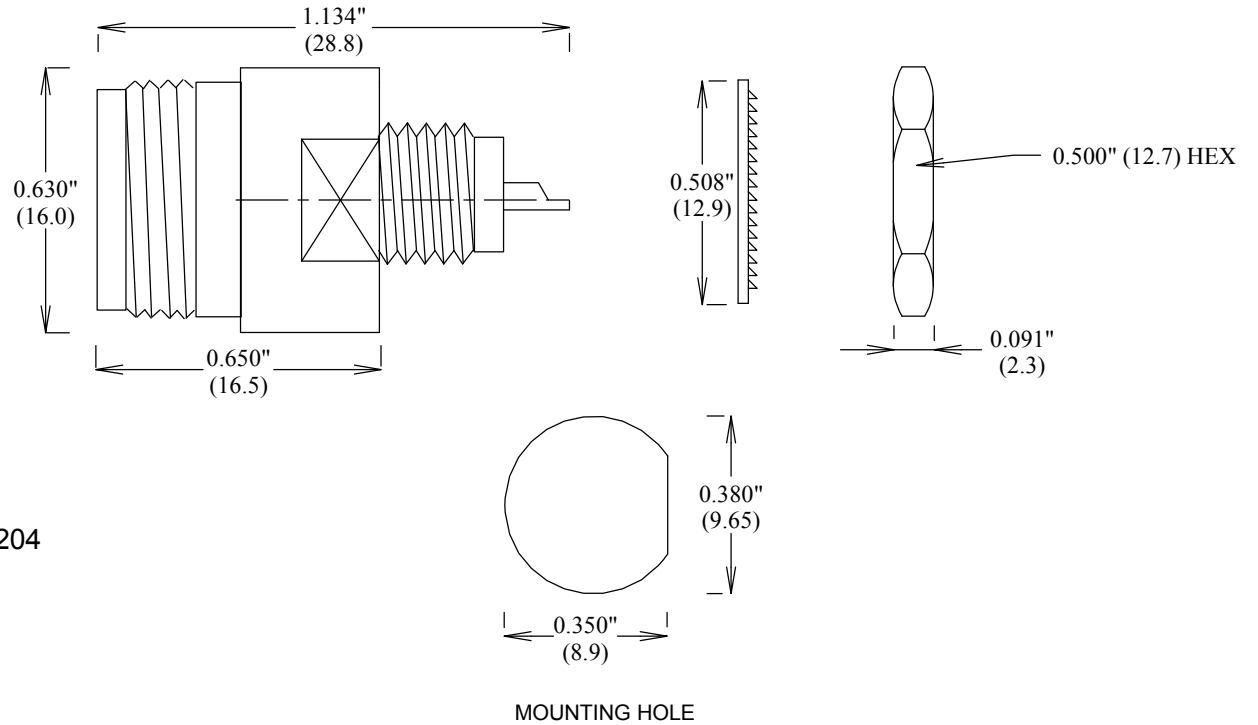
SPECIFICATIONS

ELECTRICAL:

FREQUENCY: 0-11 GHZ
 IMPEDANCE: 50 OHMS

MECHANICAL:

MATERIAL BODY: BRASS NI PLATING
 CENTER CONTACT: BeCu Au PLATED MIL-G-45204
 INSULATOR: TEFLON
 CAPTIVATED CONTACT
 INTERFACE: MIL-STD-883A
 OP. TEMP RANGE: -55°C to +155°C
 ROHS COMPLIANT



FAIRVIEW MICROWAVE INC.

ALLEN, TX 75013 WWW.FAIRVIEWMICROWAVE.COM

TITLE

N FEMALE BULKHEAD

SIZE	CAGE CODE	DWG NO	REV
A	3FKR5	SC9275	--
SCALE		SHEET	

ALL DIMENSIONS IN inches(MM) Typical