

## 50 ohm N plug to N jack DC Block inner from 50MHz to 18GHz rated 200 Volt in Stainless Steel

Fairview Microwave SD8265 is an inner DC block with N-Type connectors. It has a blocking capacitor on the inner conductor and operates from 50 MHz to 18 GHz. Our N-Type DC block offers good insertion loss of 0.75 dB and has a maximum operating voltage of 200 Vdc. DC blocks are commonly used to filter out unwanted DC signals, while allowing AC drive signals to pass through. They can help improve signal to noise ratio (SNR), eliminate ground loops, or provide isolation in your test setup. All of Fairview Microwave DC blocks are in stock and available to ship same-day.



### Electrical Specifications

Description	Min	Typ	Max	Units
Frequency Range	0.05		18	GHz
Impedance		50		Ohms
VSWR			1.35:1	
Insertion Loss			0.75	dB
Operating Voltage (DC)			200	Volts

### Mechanical Specifications

<b>Size</b>	
Length	2.07 in [52.58 mm]
Width	0.827 in [21.01 mm]
Height	0.827 in [21.01 mm]
Weight	0.05 lbs [22.68 g]
Housing Material and Plating	Passivated Stainless Steel

### Configuration

Package Type	Connectorized
--------------	---------------

Description	Connector 1	Connector 2
Type	N Male	N Female
Inner Cond Material & Plating	Beryllium Copper, Gold	Beryllium Copper, Gold

### Features:

- Inner DC Blocks with Stainless Steel Body
- N-Type connectorized configuration
- Operates from 50 MHz to 18 GHz
- 50 Ohm Impedance

### Applications:

- Test & Measurement
- Ground Loop Elimination
- Signal to Noise Ratio (SNR) Improvement

**Compliance Certifications** (see [product page](#) for current document)

### Plotted and Other Data

Notes:

Fairview Microwave  
 301 Leora Ln., Suite 100  
 Lewisville, TX 75056  
 Tel: 1-800-715-4396 / (972) 649-6678  
 Fax: (972) 649-6689  
[www.fairviewmicrowave.com](http://www.fairviewmicrowave.com)  
[sales@fairviewmicrowave.com](mailto:sales@fairviewmicrowave.com)

50 ohm N plug to N jack DC Block inner from 50MHz to 18GHz rated 200 Volt in Stainless Steel from Fairview Microwave is in-stock and available to ship same-day. All of our RF/microwave products are available off-the-shelf from our ISO 9001:2008 certified facilities in Lewisville, Texas. Fairview Microwave is RF on-demand.

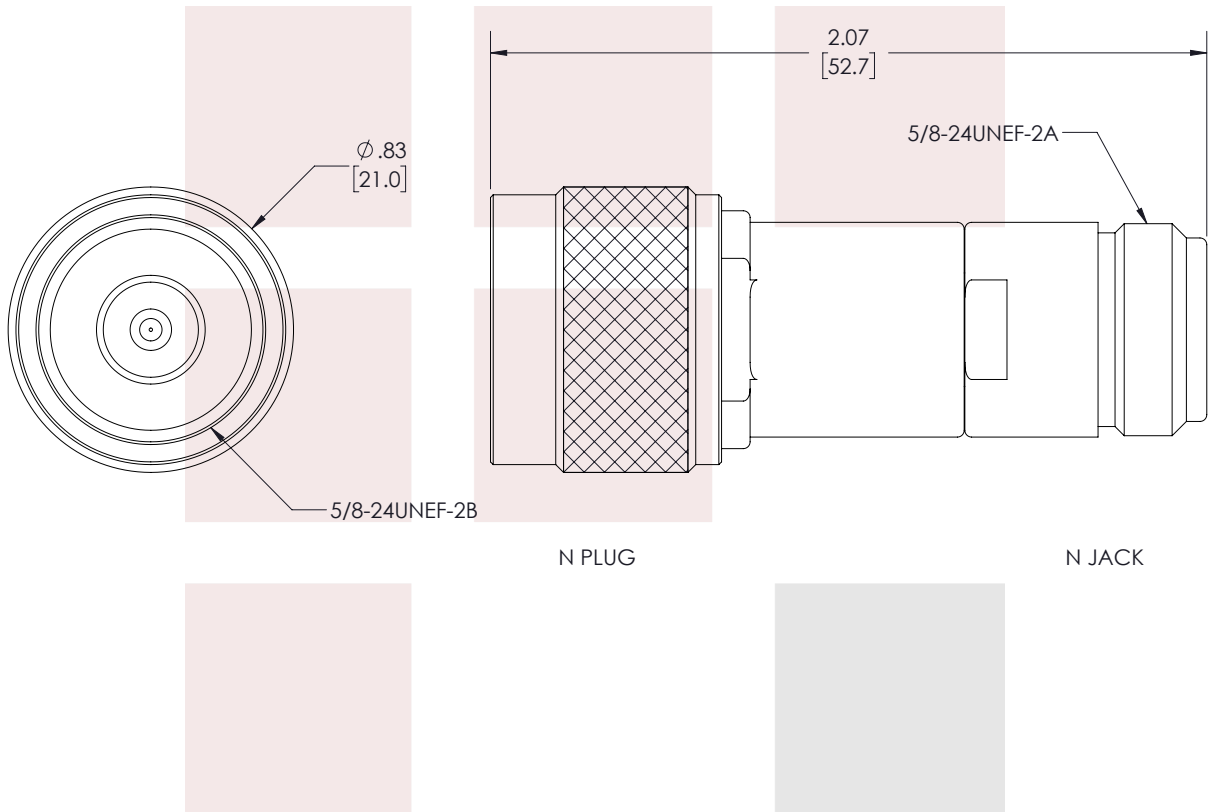
Click the following link to obtain additional part information: [50 ohm N plug to N jack DC Block inner from 50MHz to 18GHz rated 200 Volt in Stainless Steel SD8265](#)

URL: <https://www.fairviewmicrowave.com/dc-block-50-mhz-18-ghz-n-connectors-sd8265-p.aspx>

The information contained in this document is accurate to the best of our knowledge and representative of the part described herein. It may be necessary to make modifications to the part and/or the documentation of the part, in order to implement improvements. Fairview Microwave reserves the right to make such changes as required. Unless otherwise stated, all specifications are nominal. Fairview Microwave does not make any representation or warranty regarding the suitability of the part described herein for any particular purpose, and Fairview Microwave does not assume any liability arising out of the use of any part or documentation.



REVISIONS			
REV.	DESCRIPTION	DATE	APPROVED
A	INITIAL RELEASE	1/25/22	JNAJERA



THESE COMMODITIES, TECHNOLOGY OR SOFTWARE WERE EXPORTED FROM THE UNITED STATES IN ACCORDANCE WITH THE EXPORT ADMINISTRATION REGULATIONS. DIVERSION CONTRARY TO U.S. LAW PROHIBITED.

TITLE

50 ohm N plug to N jack DC Block inner from 50MHz to 18GHz rated 200 Volt in Stainless Steel

UNLESS OTHERWISE SPECIFIED LEADING DIMENSIONS ARE INCHES  
DIMENSIONS IN [ ] ARE MILLIMETERS

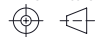
TOLERANCES:

.X = ±.2 [5.08] FRACTIONS ± 1/32  
.XX = ±.02 [.51] ANGLES ± 1°  
.XXX = ±.005 [.13]

CABLE LENGTH (L) TOLERANCES:

L ≤ 12 [305] = +1 [25] / -0  
12 [305] < L ≤ 60 [1524] = +2 [51] / -0  
60 [1524] < L ≤ 120 [3048] = +4 [102] / -0  
120 [3048] < L ≤ 300 [7620] = +6 [152] / -0  
300 [7620] < L = +5%L / -0

THIRD-ANGLE PROJECTION



THE INFORMATION AND DESIGN IN THIS DOCUMENT IS THE PROPERTY OF FAIRVIEW MICROWAVE CORPORATION. ALL RIGHTS RESERVED.

SHEET 1 OF 1

ALL DIMENSIONS SHOWN ARE FOR REFERENCE ONLY.

SCALE N/A

SIZE A	CAGE CODE 3FKR5	DRAWN BY HBAKKE	ITEM NO. SD8265	REV A
-----------	--------------------	--------------------	--------------------	----------

T-Rev.D