

SMB PLUG/JACK ADAPTER 4GHZ

SM2009

SPECIFICATIONS

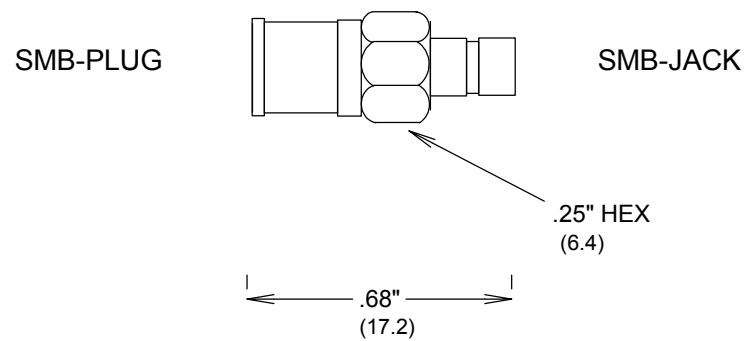
ELECTRICAL

FREQUENCY: 0-4 GHz
 IMPEDANCE: 50 OHMS
 VSWR: 1.2:1 MAX @ 4GHZ

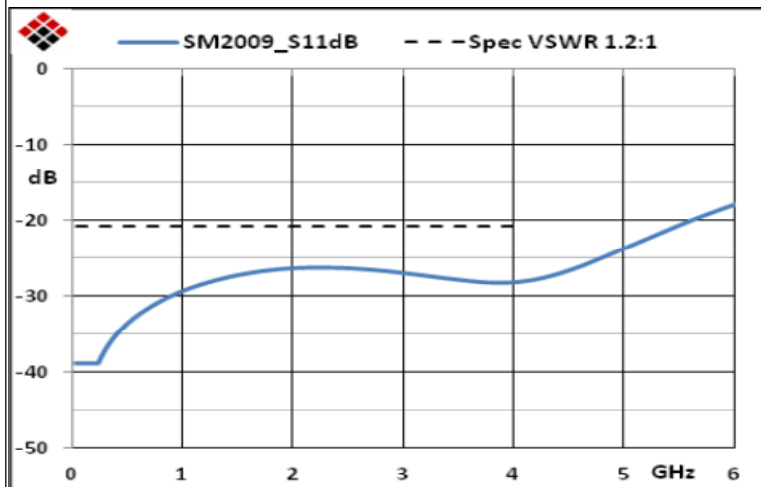
MECHANICAL

MATERIAL BODY: NICKEL PLATED BRASS
 CONTACTS: BeCu(f), BRASS(m)
 CONTACT PLATING: Au PER MIL-G-45204
 INSULATOR: PTFE
 INTERFACE: MIL-STD-348
 TEMPERATURE RANGE: -55 TO 125°C

ROHS COMPLIANT



MEASUREMENTS BELOW ARE TYPICAL



ALL DIMENSIONS IN inches(MM) Typical

FAIRVIEW MICROWAVE INC.			
ALLEN, TX 75013 WWW.FAIRVIEWMICROWAVE.COM			
TITLE			
SMB PLUG/JACK ADAPTER 4GHZ			
SIZE	CAGE CODE	DWG NO	REV
A	3FKR5	SM2009	A
SCALE	SHEET		