

Hermetically Sealed 2.4mm Female to 2.4mm Female Bulkhead Adapter

Hermetically sealed 2.4mm female to 2.4mm female bulkhead adapter part number SM3013 from Fairview Microwave is in-stock and ships same day. This Fairview 2.4mm to 2.4mm adapter has a female to female gender configuration. SM3013 2.4mm female to 2.4mm female adapter operates to 45 GHz. The 2.4mm connector mates mechanically with commercially available 1.85mm (V) connectors. Our RF 2.4mm to 2.4mm bulkhead adapter allows designers to create external connections on their product enclosures, and can be used in a variety of other rack mount and panel mount applications. The Fairview Microwave hermetic 2.4mm to 2.4mm adapter prevents the leakage of gases, making it suitable for high pressure or vacuum applications or whenever an airtight seal is required. The Fairview Microwave RF adapter provides good VSWR of 1.45:1 maximum.

RF adapters can be used to enable connections between two connector types that would otherwise not mate. Certain RF adapter configurations can also be used to protect connectors on expensive equipment where the number of connect and disconnect cycles is high. An RF, microwave, or millimeter wave adapter is connected to the equipment and the commonly changed connection is made with the adapter which can be easily replaced when it wears out after high usage; such adapters are referred to as connector savers. Fairview Microwave also offers bulkhead, panel mount, hermetically sealed, reverse polarity, and isolated ground adapter varieties to serve all of your RF, microwave and millimeter wave needs.

Electrical Specifications

| Description | Min | Typ | Max | Units |
|-----------------|-----|-----|--------|-------|
| Frequency Range | DC | | 45 | GHz |
| VSWR | | | 1.45:1 | |

Electrical Specification Notes:
 Values at 25°C, sea level.

Mechanical Specifications

| Size | |
|--------|---------------------|
| Length | 0.875 in [22.23 mm] |
| Width | 0.555 in [14.1 mm] |
| Height | 0.555 in [14.1 mm] |
| Weight | 0.0194 lbs [8.8 g] |

| Description | Connector 1 | Connector 2 |
|------------------|---------------------|---------------------|
| Type | 2.4mm Female | 2.4mm Female |
| Polarity | Standard | Standard |
| Connector Option | Hermetically Sealed | Hermetically Sealed |
| Mating Cycles | 500 | 500 |

Mechanical Specification Notes:

The glass bead seal in the center of the adapter is sensitive to shock and axial pressure. If the adapter is subjected to shock and overtightening of the coupling nut, the glass bead interseal will shatter easily. Jam nut torque not to exceed 15 inch pounds.



Configuration:

- 2.4mm Female Connector 1
- 2.4mm Female Connector 2
- 50 Ohms
- Straight Body Geometry
- Bulkhead Mount Method

Features:

- VSWR of 1.45:1 max up to 45 GHz
- Hermetically Sealed
- Contact plating according to MIL-G-45204
- Gold over Nickel Plated Beryllium Copper Contact

Applications:

- General Purpose Test
- Vacuum Test Environment
- Rack Mounted Equipment

Fairview Microwave
 1130 Junction Dr. #100
 Allen, TX 75013
 Tel: 1-800-715-4396 / (972) 649-6678
 Fax: (972) 649-6689
www.fairviewmicrowave.com
sales@fairviewmicrowave.com

Material Specifications

| Description | Connector 1 | Connector 2 |
|-----------------------------|----------------------------|----------------------------|
| Type | 2.4mm Female | 2.4mm Female |
| Contact Material | Beryllium Copper | Beryllium Copper |
| Contact Plating | Gold over Nickel | Gold over Nickel |
| Contact Plating Spec. | MIL-G-45204 | MIL-G-45204 |
| Insulation Material | Oxide-Noryl | Oxide-Noryl |
| Outer Contact Material | Passivated Stainless Steel | Passivated Stainless Steel |
| Outer Contact Plating Spec. | ASTM A380 | ASTM A380 |

Environmental Specifications

Temperature

Operating Range
 Vibration
 Salt Spray
 Hermetic Seal

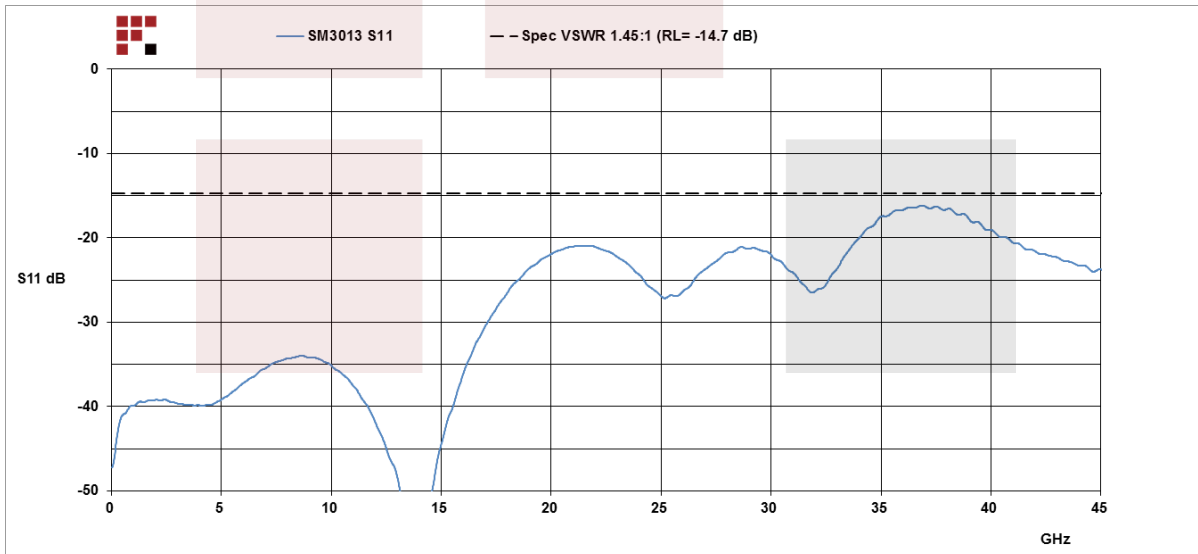
-55 to +100 deg C
 MIL-STD 202, Method 204, Condition D (20 G's)
 MIL-STD 202, Method 101, Condition B, 5% salt solution
 Shall pass no more than 1×10^{-8} cc/sec He at 1 atm

Compliance Certifications (see [product page](#) for current document)

Plotted and Other Data

Notes:

Typical Performance Data



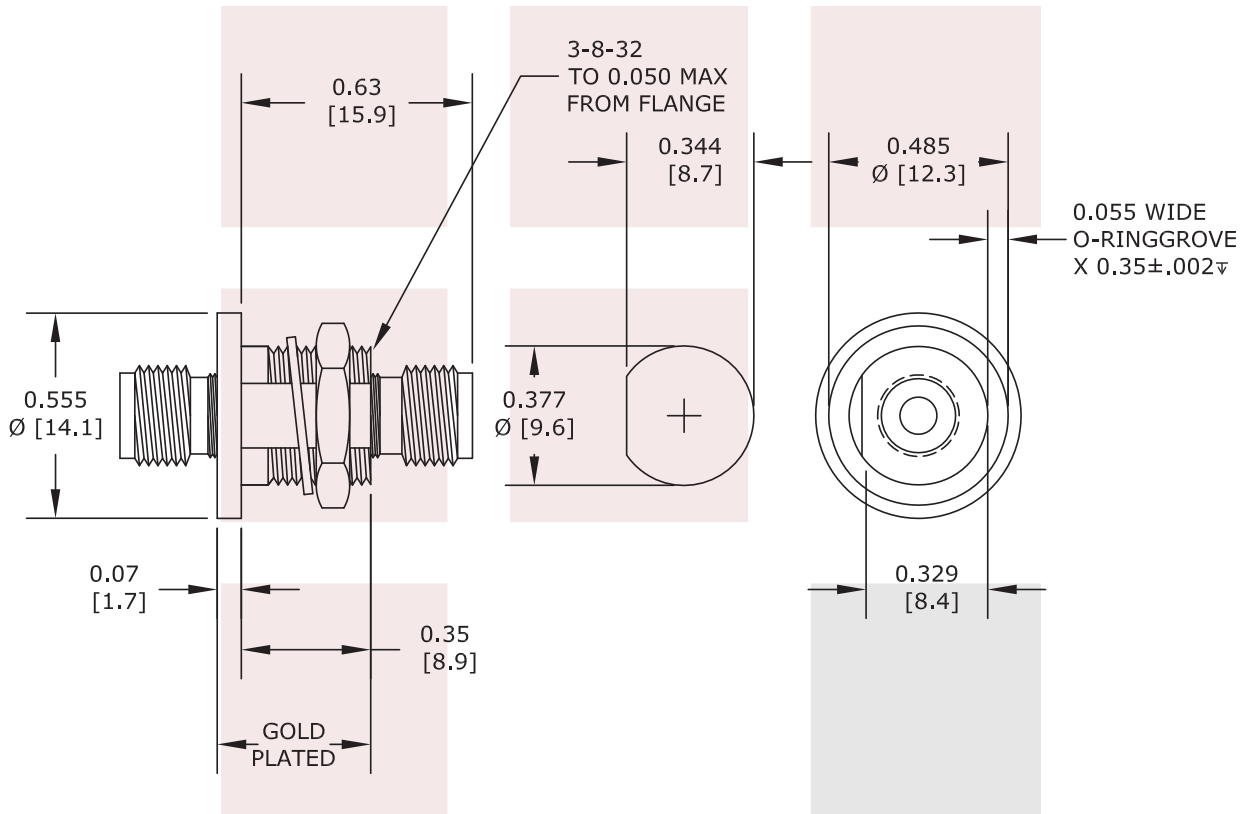
Hermetically Sealed 2.4mm Female to 2.4mm Female Bulkhead Adapter from Fairview Microwave is in-stock and available to ship same-day. All of our RF/microwave products are available off-the-shelf from our ISO 9001:2008 certified facilities in Allen, Texas. Fairview Microwave is RF on-demand.

For additional information on this product, please click the following link: [Hermetically Sealed 2.4mm Female to 2.4mm Female Bulkhead Adapter SM3013](#)

URL: <https://www.fairviewmicrowave.com/hermetically-sealed-2.4mm-female-2.4mm-female-bulkhead-adapter-sm3013-p.aspx>

The information contained in this document is accurate to the best of our knowledge and representative of the part described herein. It may be necessary to make modifications to the part and/or the documentation of the part, in order to implement improvements. Fairview Microwave reserves the right to make such changes as required. Unless otherwise stated, all specifications are nominal. Fairview Microwave does not make any representation or warranty regarding the suitability of the part described herein for any particular purpose, and Fairview Microwave does not assume any liability arising out of the use of any part or documentation.





| | | | | | |
|---|--------|---|-------|--------------------|------------|
| FAIRVIEW MICROWAVE INC. ALLEN, TX 75013 WWW.FAIRVIEWMICROWAVE.COM | | NOTES: 1. UNLESS OTHERWISE SPECIFIED ALL DIMENSIONS ARE NOMINAL. 2. ALL SPECIFICATIONS ARE SUBJECT TO CHANGE WITHOUT NOTICE AT ANY TIME. 3. DIMENSIONS ARE IN INCHES [mm]. | | | |
| TITLE Hermetically Sealed 2.4mm Female to 2.4mm Female Bulkhead Adapter | | DWG NO SM3013 | | CAGE CODE 3FKR5 | |
| CAD FILE | 113015 | SHEET | SCALE | N/A | SIZE A 150 |