

1.85/F-2.92/M RT ANGLE ADAPTER

SM3845

SPECIFICATIONS

ELECTRICAL

50 OHMS
 VSWR 1.30:1 MAX @ 40 GHZ
 FREQUENCY: 0-40 GHZ

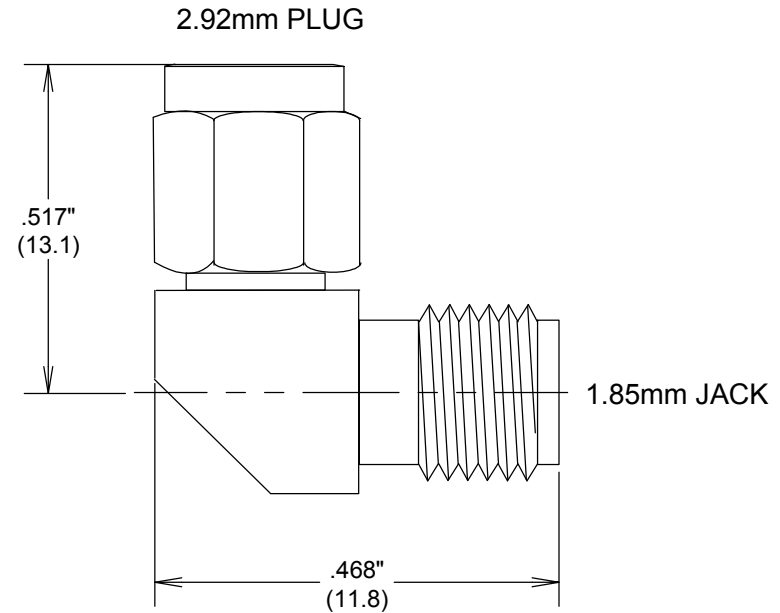
ENVIRONMENTAL

-65°C TO +85° C
 CORROSION: MIL-STD 202
 VIBRATION: MIL-STD 202

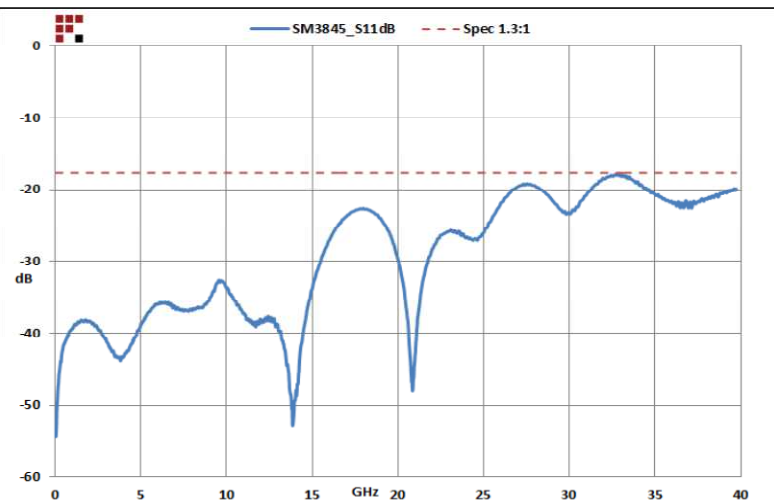
MATERIALS PASSIVATED STAINLESS STEEL

BODY: SST ASTM A484 / A582
 BeCu ATSM-B-196
 PASSIVATED ASTM A380
 CENTER CONTACT PLATING: Ni PER MIL-G-45204

ROHS COMPLIANT



MEASUREMENTS BELOW ARE TYPICAL



FAIRVIEW MICROWAVE INC.

ALLEN, TX 75013 WWW.FAIRVIEWMICROWAVE.COM

TITLE

1.85/F-2.92/M RT ANGLE ADAPTER

SIZE	CAGE CODE	DWG NO	REV
A	3FKR5	SM3845	--

ALL DIMENSIONS IN inches(MM) Typical

SCALE

SHEET